

6

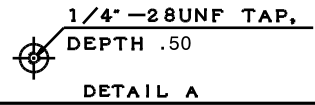
5

4

3

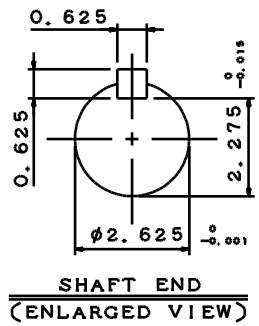
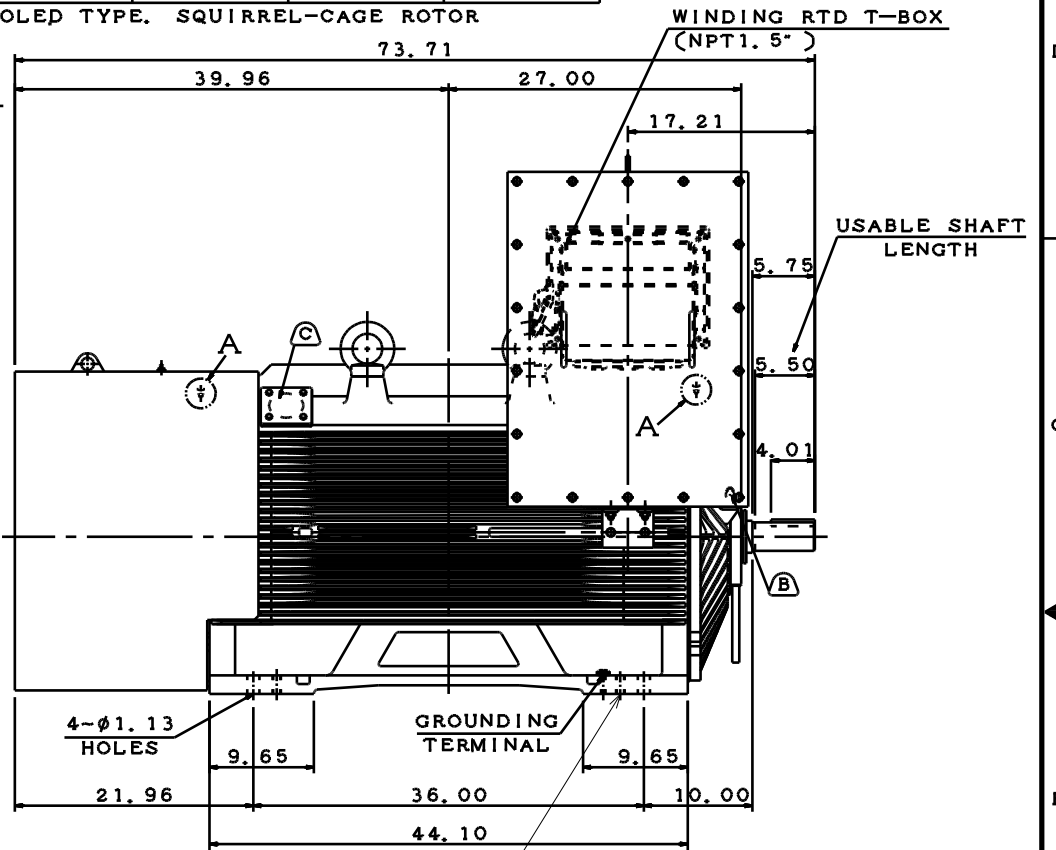
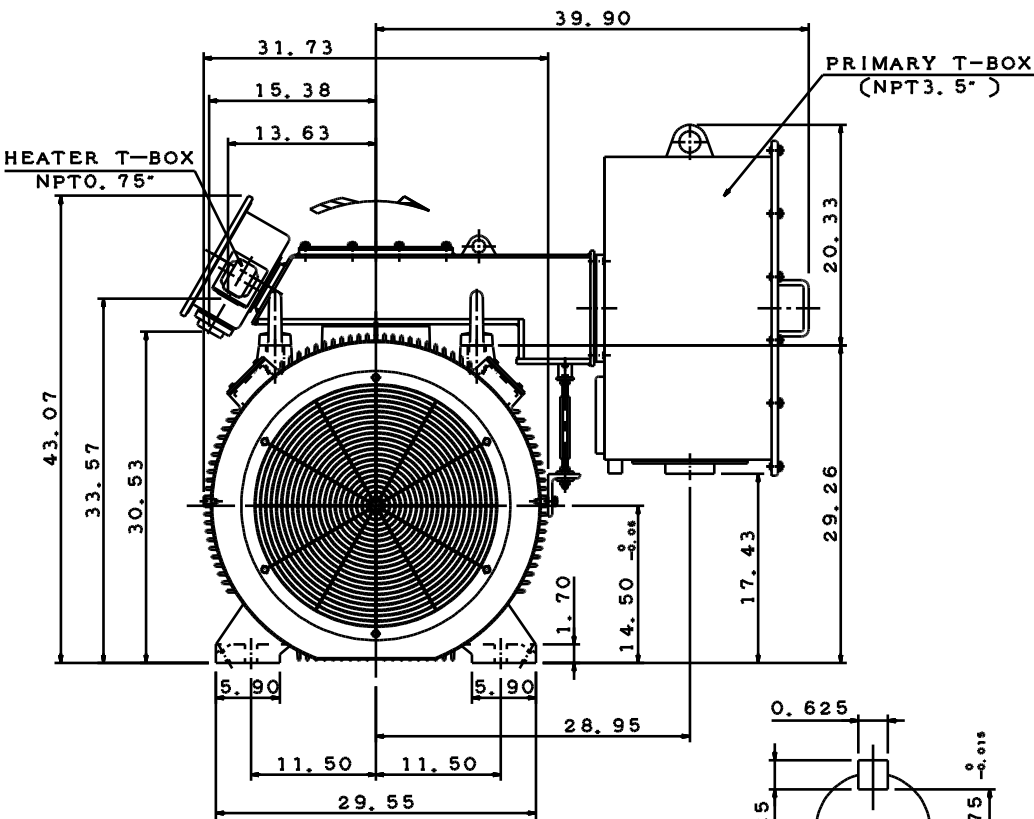
2

1



TYPE	OUTPUT		POLE	TIME RATING	VOLTAGE V	Hz	SYN. SPEED R. P. M
	HP.	kW.					
AFHP	800	597	2	CONT.	2300/4000	60	3600

TOTALLY ENCLOSED FAN-COOLED TYPE. SQUIRREL-CAGE ROTOR



- NOTE:
1. DIMENSIONS IN inch
 2. FRAME NO. 5810A
 3. F CLASS INSULATION
 4. FOR DIRECT FLEXIBLE COUPLING
 5. ENCLOSURE: 1P55
 6. BEARING SIZE: DRIVE-END 6315C3
OPP. DRIVE-END 6315/C3VL0241
 7. WITH SAPCE HEATER & WINDING RTD
 8. MOTOR APPROX. WEIGHT: 6500 lb

- (B) FOR BEARING RTD, END BRACKETS SHALL BE PRE-DRILLED AND PLUGGED.
 (C) FOR AUXILIARY, FRAME SHALL BE PRE-DRILLED AND COVERD WITH STEEL PLATE.

DATE		OUTLINE DIMENSIONS	
KPF8002		3-PHASE INDUCTION MOTOR	
DWN.	L. JHENG	APR. 22. 2019	DWG NO. REV:02
CHKD.	H. WANG	APR. 23. 2019	5A040C243
APPD.	C. WANG	APR. 23. 2019	



6

5

4

3

2

1