

6

5

4

3

2

1

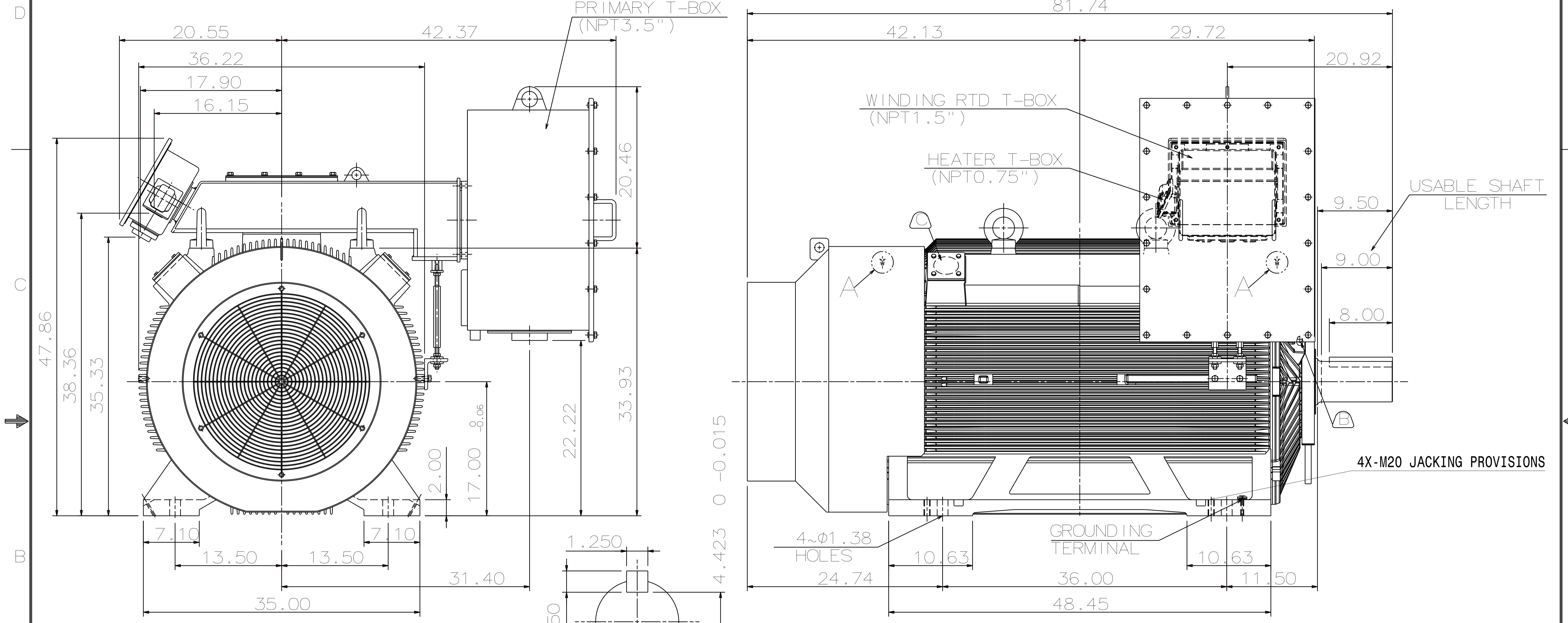
1/4" -28UNF TAP,
DEPTH 0.50

DETAIL A

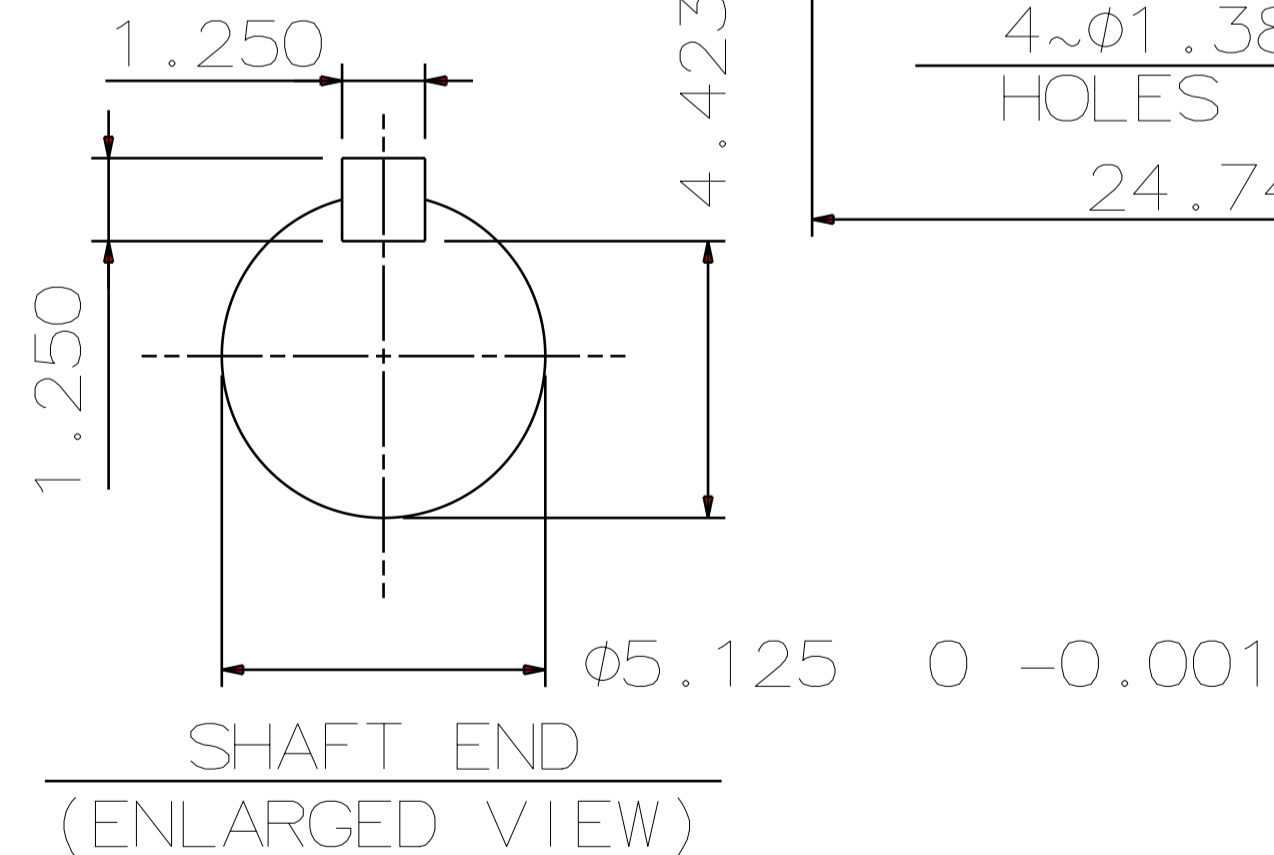
PROVISION FOR VIBRATION DETECTORS

TYPE	OUTPUT		POLE	TIME RATING	VOLTAGE V	Hz	SYN. SPEED R.P.M
	HP.	kW.					
AFHP	900	671	6	CONT.	2300/4000	60	1200

TOTALLY ENCLOSED FAN-COOLED, TYPE. SQUIRREL-CAGE ROTOR
81.74



- NOTE:
1. DIMENSIONS IN inch
 2. FRAME NO. 6808C
 3. F CLASS INSULATION
 4. FOR DIRECT FLEXIBLE COUPLING
 5. ENCLOSURE: IP55
 6. BEARING SIZE: DRIVE-END NU330C3
OPP. DRIVE-END 6322C3
 7. WITH SPACE HEATER & WINDING RTD
 8. MOTOR APPROX. WEIGHT: 9200 lb
- ⓑ FOR BEARING RTD, END BRACKETS SHALL BE PRE-DRILLED AND PLUGGED.
- Ⓒ FOR AUXILIARY, FRAME SHALL BE PRE-DRILLED AND COVERD WITH STEEL PLATE.



DATE 070822	OUTLINE DIMENSIONS	
KPF9006R	3-PHASE INDUCTION MOTOR	
DWG NO. REV:01	5A040C474	

DWN.	C. CHANG	JUN 28 2019
CHKD.	H. WANG	JUN 28 2019
APPD.	C. WANG	JUN 28 2019

TEC Westinghouse

6

5

4

3

2

1