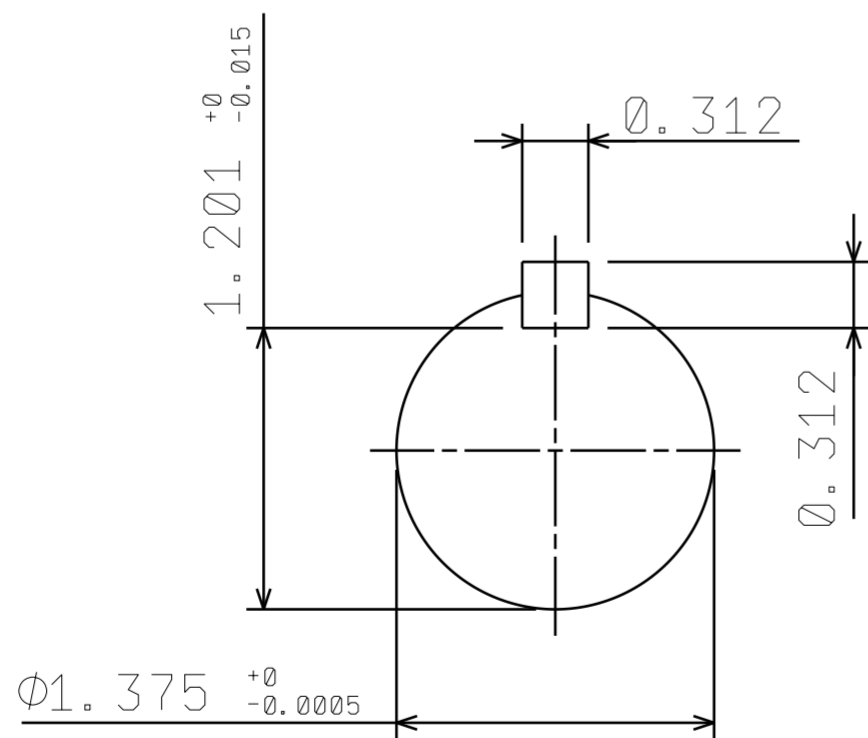
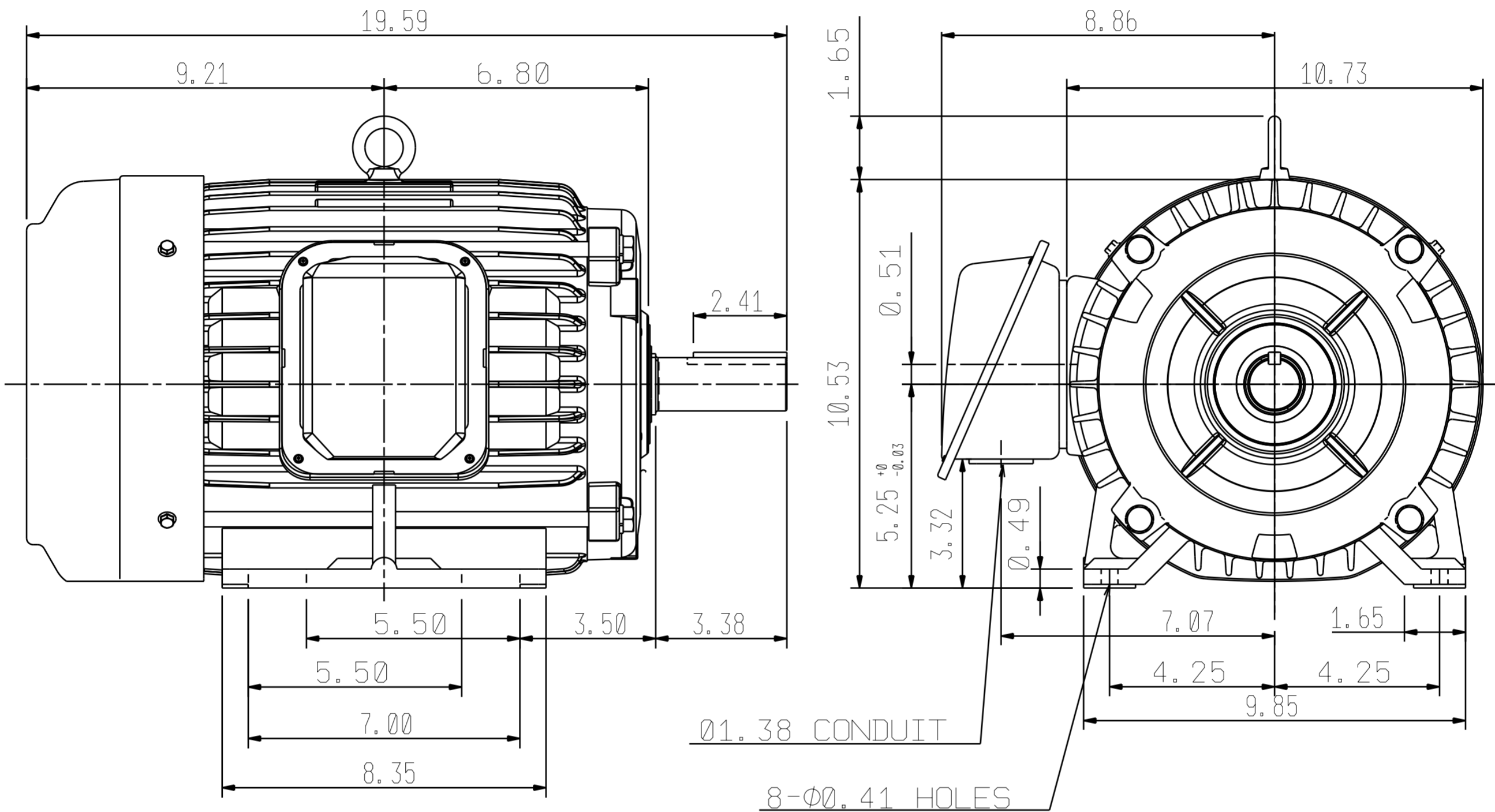


DATE MARCH. 4, 2020	OUTLINE DIMENSIONS  3-PHASE INDUCTION MOTOR	MOTOR TYPE: AEHH8P
CAT. #: NP0056		FRAME NO. 215T


Pole	HP	kw	Hz	VOLT	r/min(rpm)
6	5	3.7	60	230/460	1200

Ins	Rating	Dimension in	Approx Weight	Bearings
F	CONT.	Inch	172 lbs	DE: 6308ZZ NDE: 6306ZZ

Totally Enclosed Fan-Cooled Type. Squirrel-Cage Rotor.



①	07 19 19	Modified Dimensions	J.F.CHEN
---	----------	---------------------	----------

DWG.	W.F.PON	07.15.19	TEC   Westinghouse	DWG NO.
CHKD.	M.C.JENG	07.16.19		31049R344061
APPD.	M.C.JENG	07.16.19		