



TECO

OUTLINE DIMENSIONS

MOTOR TYPE:
AEUH8P-XXX

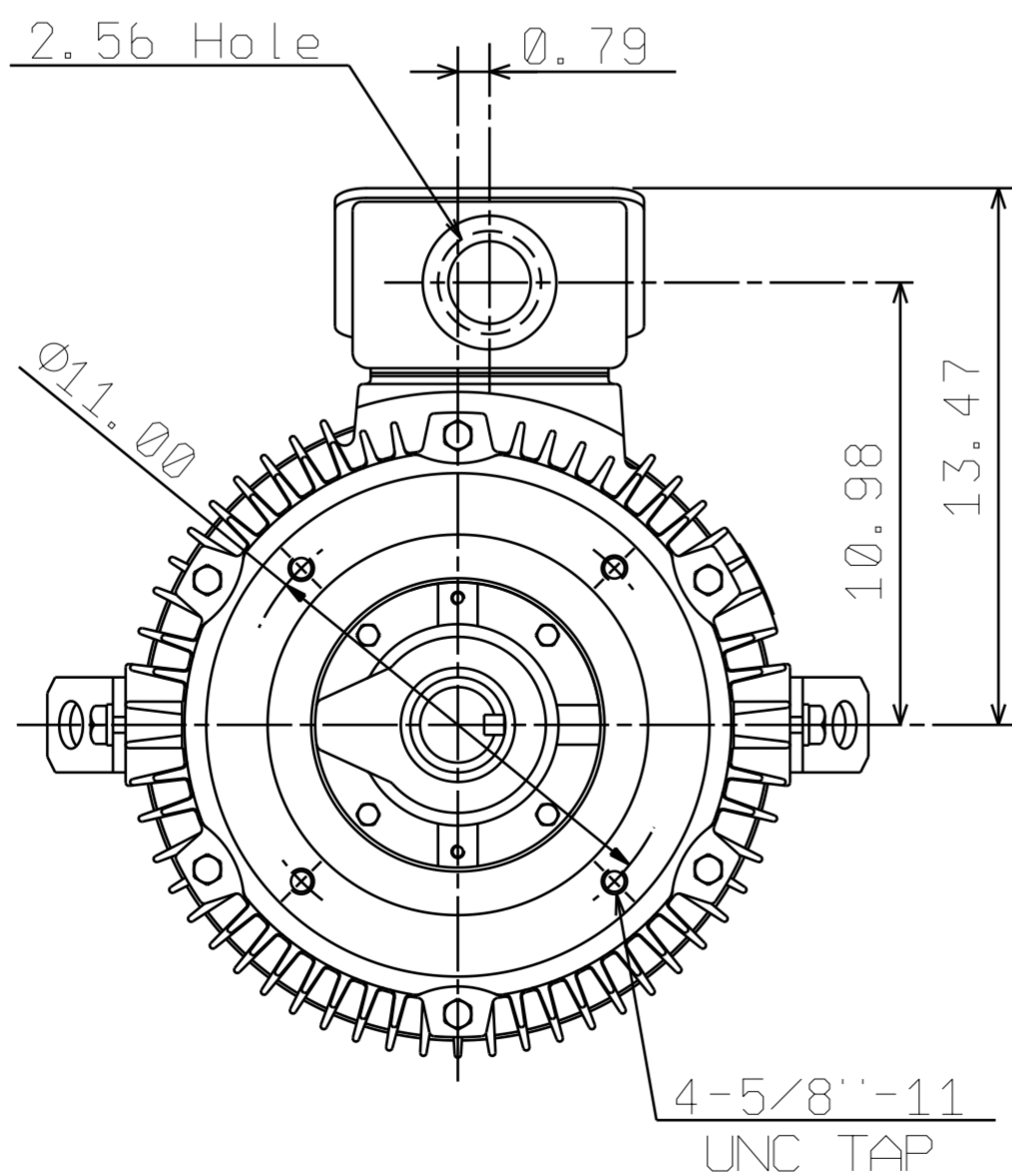
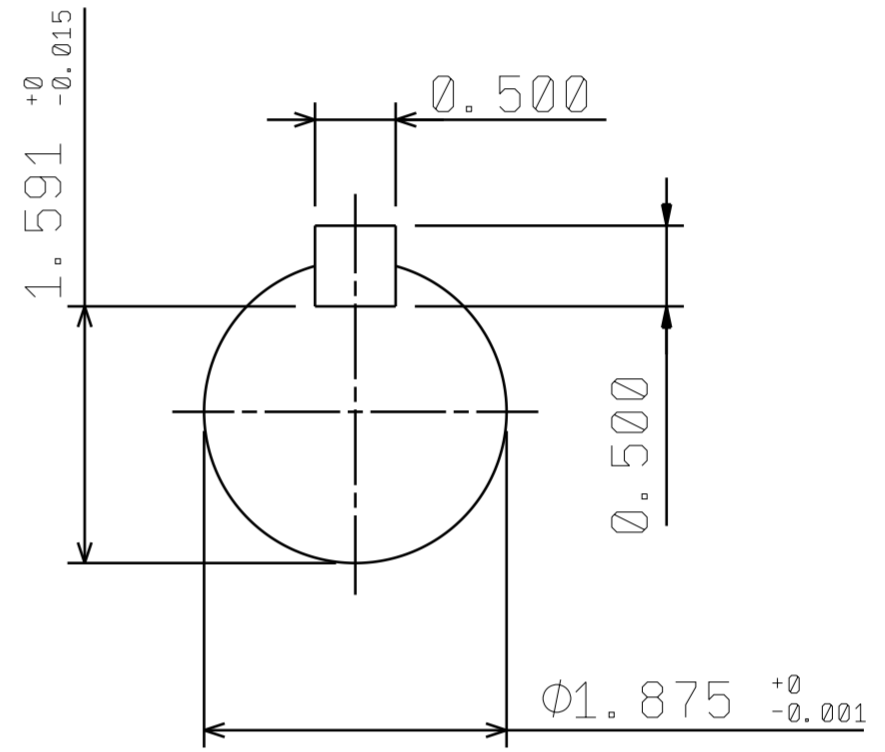
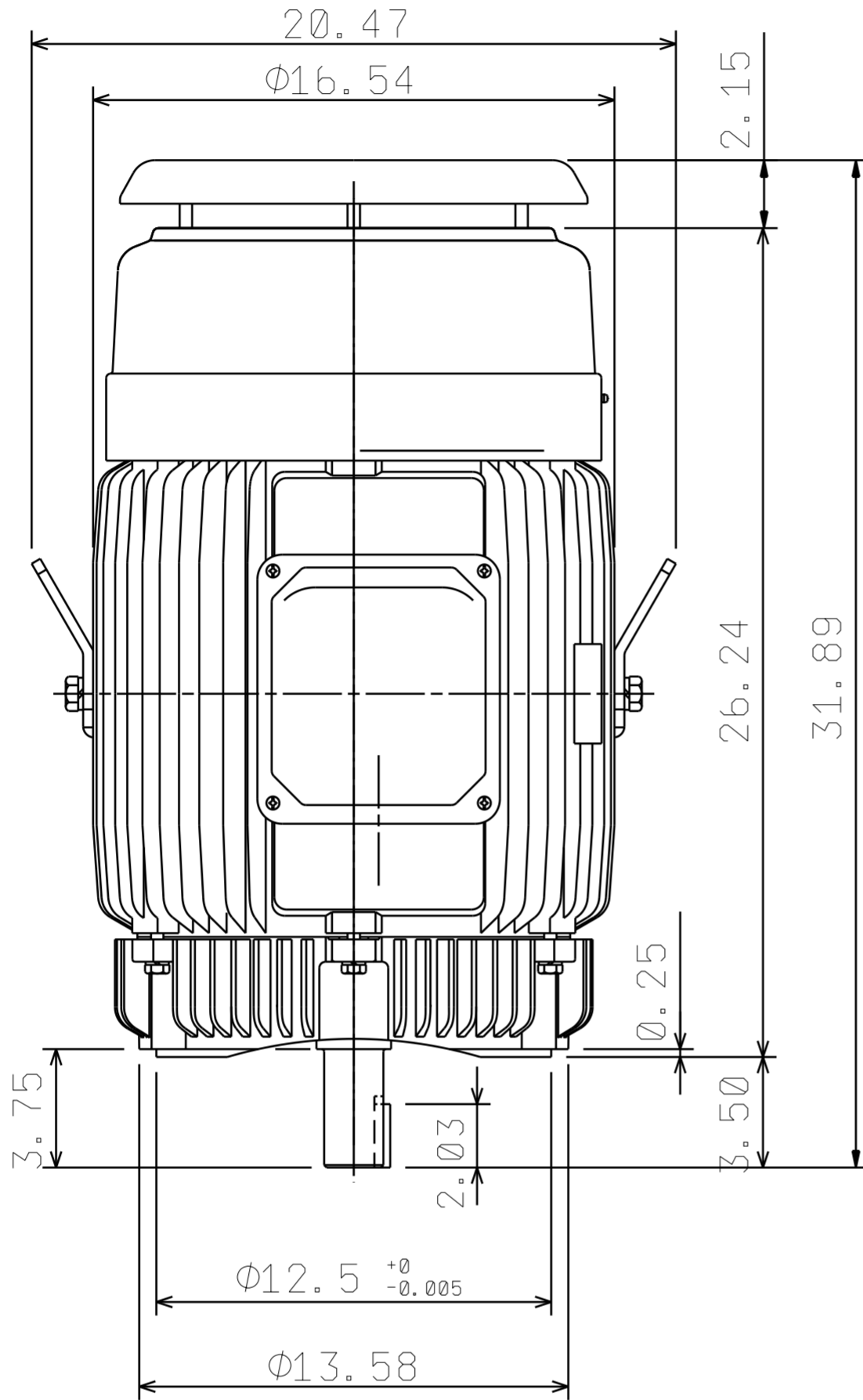
DATE

3-PHASE INDUCTION MOTOR

FRAME NO. 326TSC

| Pole | HP | kW | Hz | VOLT | r/min |
|------|--------|--------------|---------------|------------|-------------|
| 2 | 50 | 37.3 | 60 | 230/460 | 3600 |
| Ins | Rating | Dimension in | Approx Weight | Bearings | |
| F | CONT. | inches | | DE: 6312C3 | NDE: 6212C3 |

Totally Enclosed Fan-cooled Vertical Type Squirrel-cage Rotor.



TAI7142-00-01



| | |
|-------|-------------|
| DWG. | ^ B%\$00VAM |
| CHKD. | ^ B%R041017 |
| APPD. | ^ B%R041017 |

東元電機股份有限公司
TECO Electric & Machinery Co., Ltd.
TAIWAN

DWG NO.
31057A533060