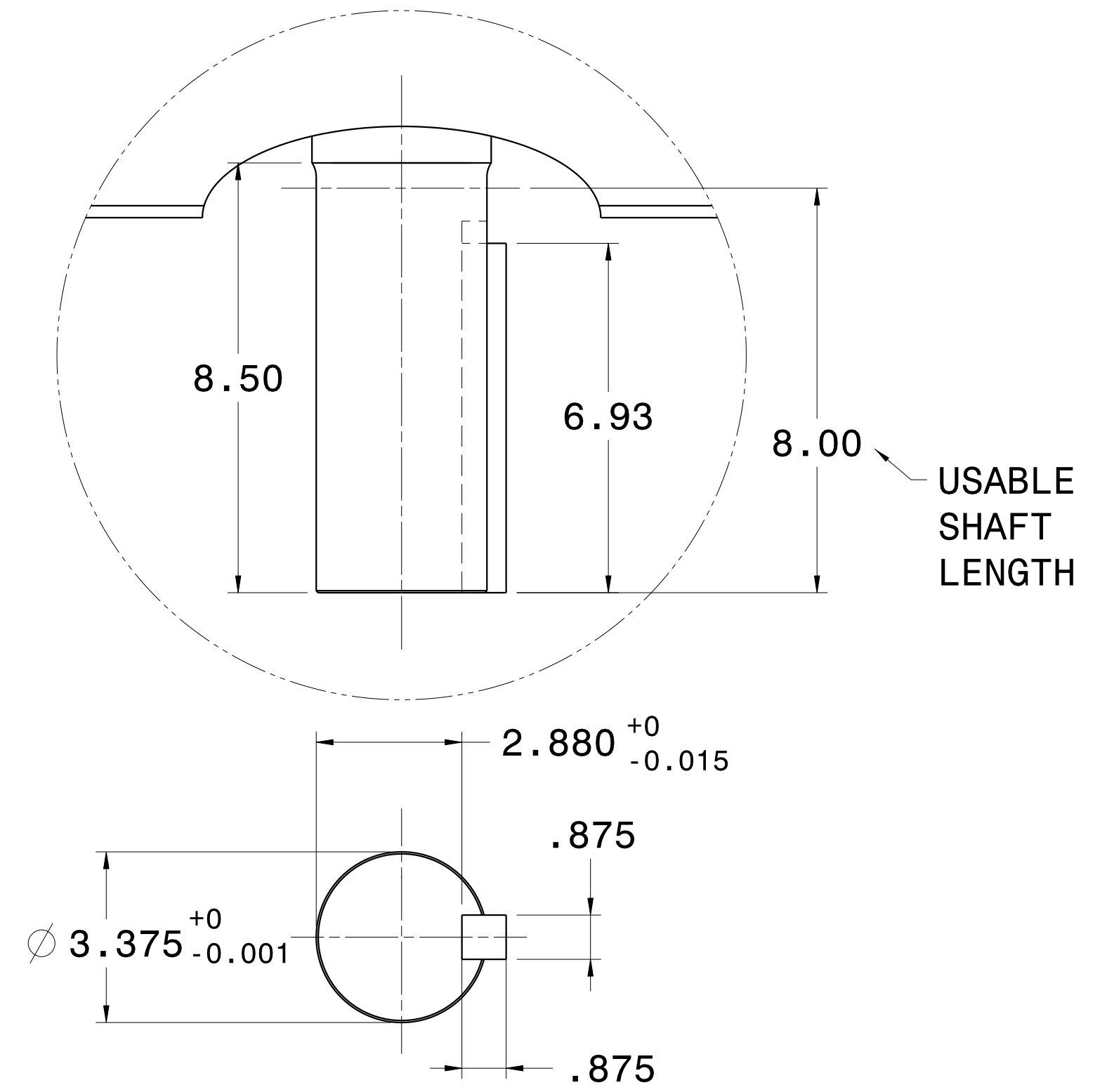
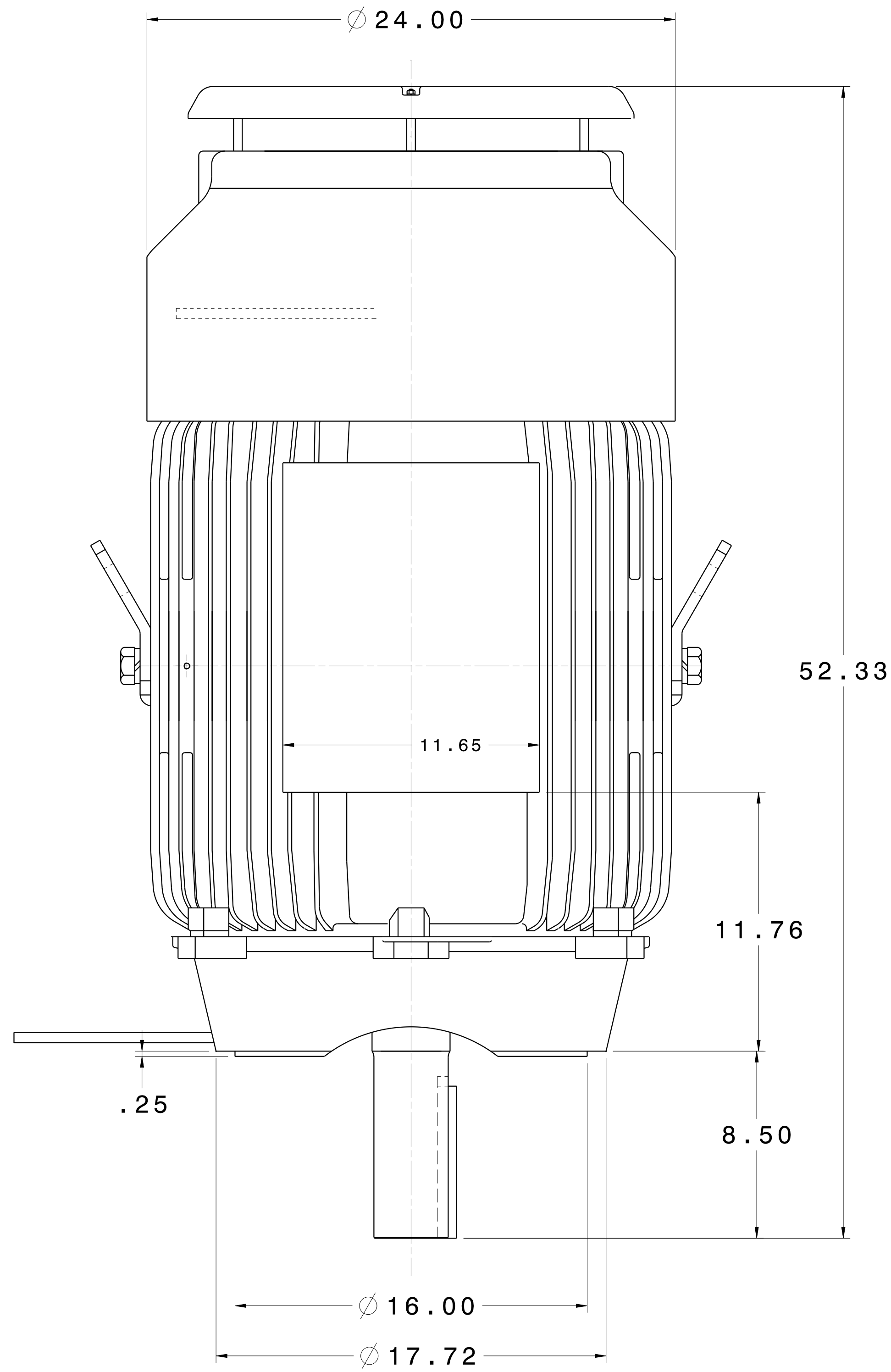


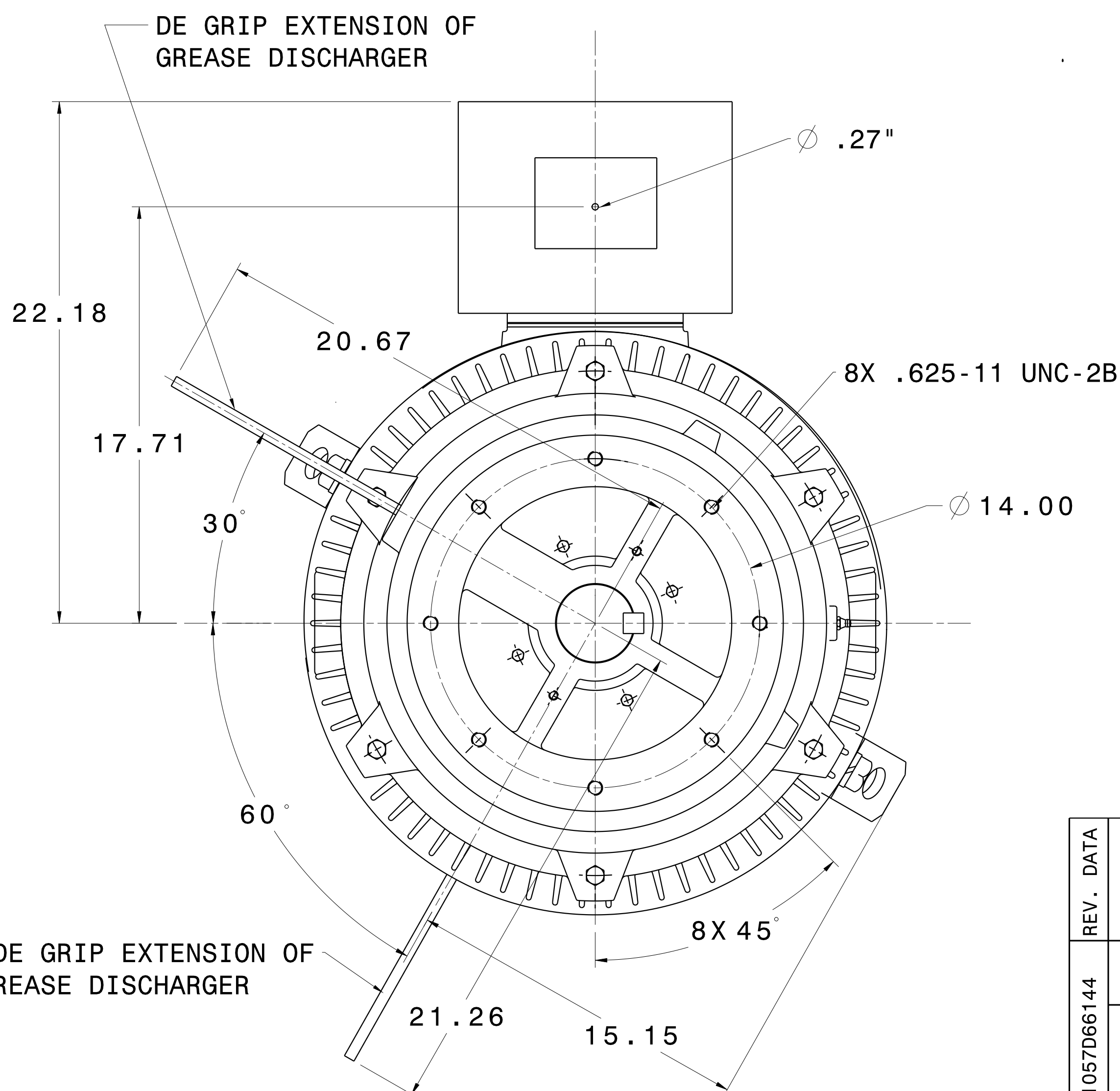
CATALOG #	TYPE	FRAME	OUTPUT		POLE	SYN. SPEED R.P.M.	VOLTAGE V.	Hz.
			HP	KW				
NPV2004C	AEUH8PCF	447TC	200	149	4	1800	460	60

TIME RATING CONT.	INSULATION CLASS	SERVICE FACTOR	BEARINGS		WEIGHT LBS
			DE	NDE	
	F	1.15	6320C3	6316C3	2200

TOTALLY ENCLOSED FAN-COOLED VERTICAL TYPE, SQUIRREL CAGE ROTOR



SHAFT DETAIL



NOTES:

1. DIMENSIONS IN INCH.
2. ENCLOSURE: IP54.
3. FOR DIRECT FLEXIBLE COUPLING.

REF: 31057D66144	REV. DATA	TECO Westinghouse		REV NO 01
	3-PHASE INDUCTION MOTOR OUTLINE DIMENSIONS			DWG NO. NPV2004C
	DWN K. MILNER	061918	APPD	
	TECO-WESTINGHOUSE MOTOR COMPANY			ROUND ROCK, TEXAS USA