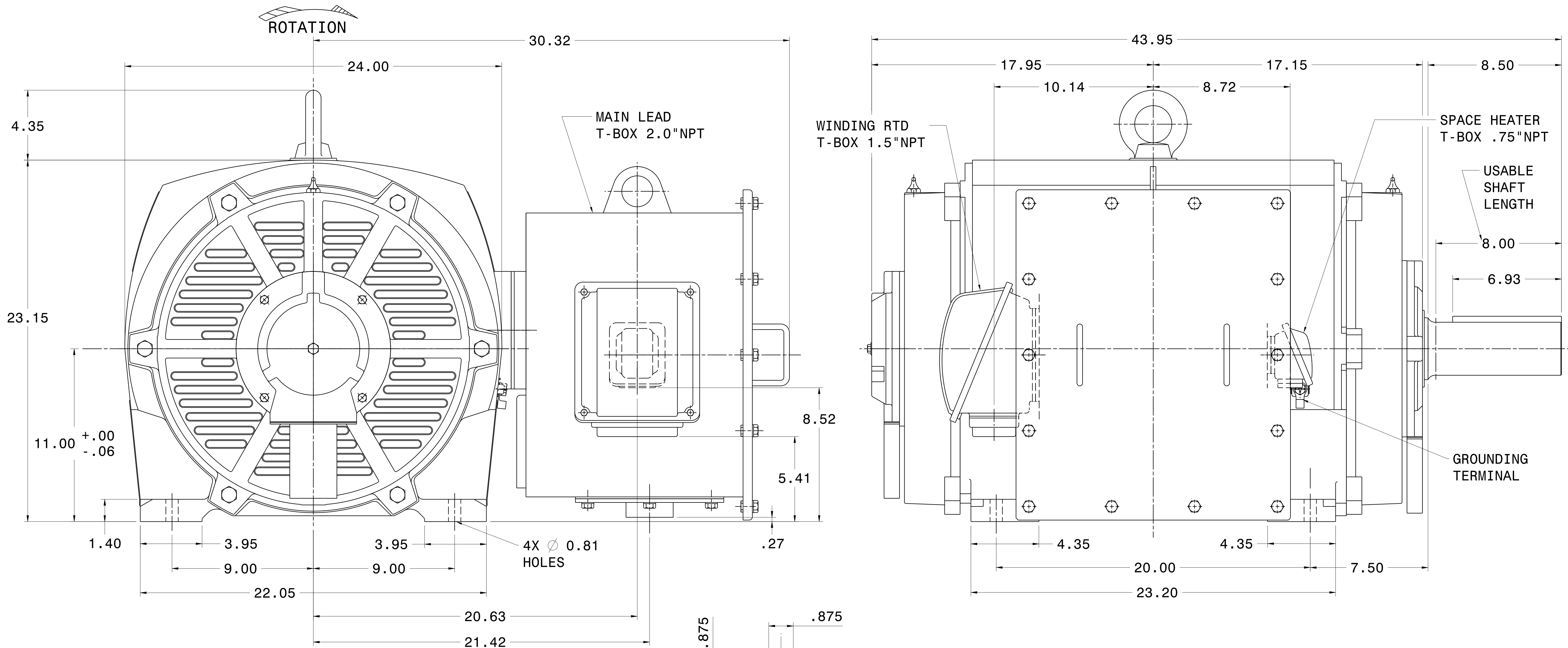


CATALOG #	TYPE	FRAME	OUTPUT		POLE	SYN. SPEED R.P.M.	VOLTAGE V.	Hz.	TIME RATING	INSULATION CLASS	SERVICE FACTOR	BEARINGS		WEIGHT LBS
			HP	KW								DE	NDE	
PG1004	AMHG	447T	100	74.6	4	1800	2300/4160	60	CONT.	F	1.15	6320C3	6318C3	2050

WEATHER PROTECTED TYPE I. SQUIRREL CAGE ROTOR



- NOTES:
1. DIMENSIONS IN INCH.
  2. ENCLOSURE: IP23.
  3. FOR BELT DRIVE.
  4. SPACE HEATER RATED 120 VOLT, SINGLE PHASE.
  5. 100 OHM PLATINUM WINDING RTD'S, 2 PER PHASE.

REF: 4B040M462	REV. DATA	TECO Westinghouse		REV NO	01
	3-PHASE INDUCTION MOTOR			DWG NO.	PG1004
	DWN K. MILNER		080317	APPD T. FELPS	080317
	TECO-WESTINGHOUSE MOTOR COMPANY			ROUND ROCK, TEXAS	USA