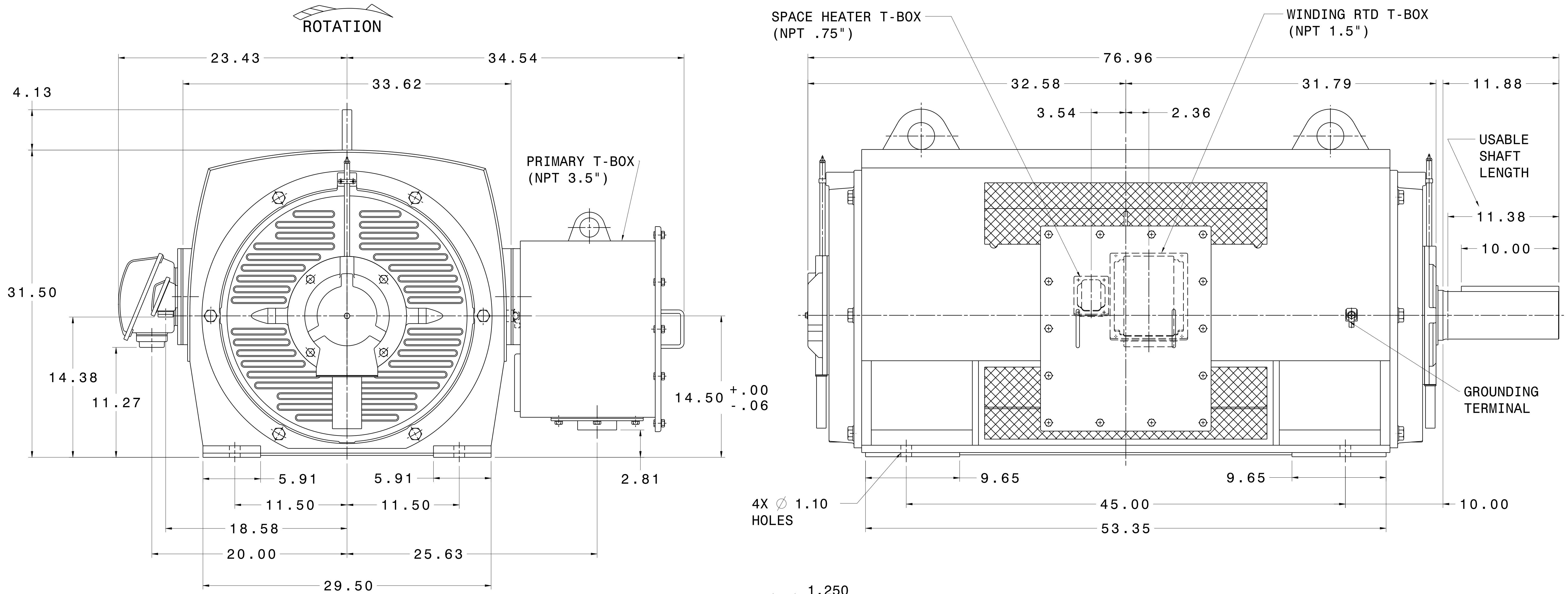


CATALOG #	ASHA	FRAME	OUTPUT		POLE	SYN. SPEED R.P.M.	VOLTAGE V.	Hz.	TIME RATING	INSULATION CLASS	SERVICE FACTOR	BEARINGS		WEIGHT LBS
			HP	kW								DE	NDE	
PG12506	AMHG	5812C	1250	932.1	6	1200	2300/4160	60	CONT.	F	1.15	NU326C3	6322	7660

WEATHER PROTECTED TYPE I. SQUIRREL CAGE ROTOR



- NOTES:
1. DIMENSIONS IN INCH.
  2. ENCLOSURE: IP23.
  3. FOR BELT DRIVE.
  4. SPACE HEATER RATED 120 VOLT, SINGLE PHASE.
  5. 100 OHM PLATINUM WINDING RTD'S, 2 PER PHASE.
  6. PROVISION FOR BEARING RTD MOUNTING: 2X .50" NPT PER BRACKET.

REV. DATA	TECO Westinghouse			REV NO	
	3-PHASE INDUCTION MOTOR OUTLINE DIMENSIONS			01	
REF:	DWN K. MILNER		072517	APPD T. FELPS	072517
	TECO-WESTINGHOUSE MOTOR COMPANY		ROUND ROCK, TEXAS		USA