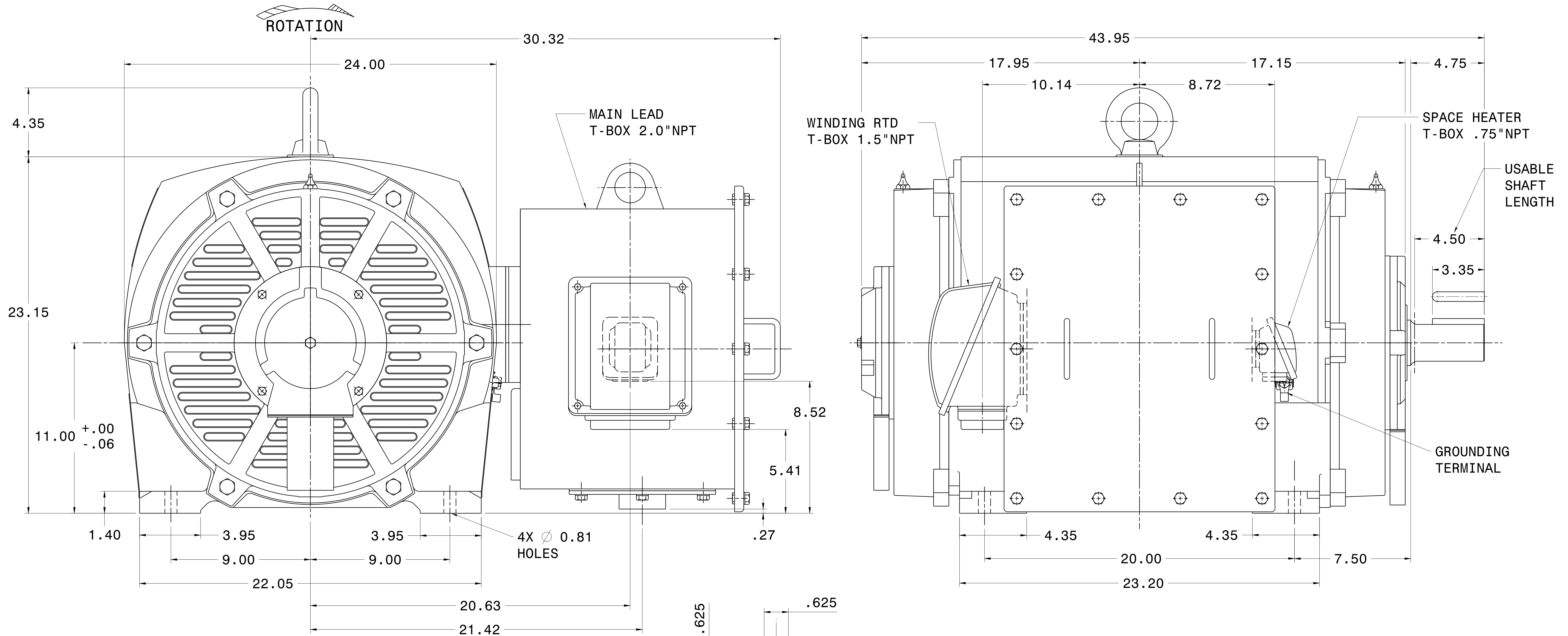


CATALOG #	TYPE	FRAME	OUTPUT		POLE	SYN. SPEED R.P.M.	VOLTAGE V.	Hz.	TIME RATING	INSULATION CLASS	SERVICE FACTOR	BEARINGS		WEIGHT LBS
			HP	KW								DE	NDE	
PG1252	AMHG	447TS	125	93.2	2	3600	2300/4160	60	CONT.	F	1.15	6315C3	6315C3	1800

WEATHER PROTECTED TYPE I. SQUIRREL CAGE ROTOR



- NOTES:
1. DIMENSIONS IN INCH.
  2. ENCLOSURE: IP23.
  3. FOR DIRECT FLEXIBLE COUPLING.
  4. SPACE HEATER RATED 120 VOLT, SINGLE PHASE.
  5. 100 OHM PLATINUM WINDING RTD'S, 2 PER PHASE.

REF: 4B040M461	REV. DATA		REV NO	
	TECO Westinghouse		01	
	3-PHASE INDUCTION MOTOR		DWG NO.	
	OUTLINE DIMENSIONS		PG1252	
DWN K. MILNER		080317	APPD T. FELPS	080317
TECO-WESTINGHOUSE MOTOR COMPANY		ROUND ROCK, TEXAS USA		