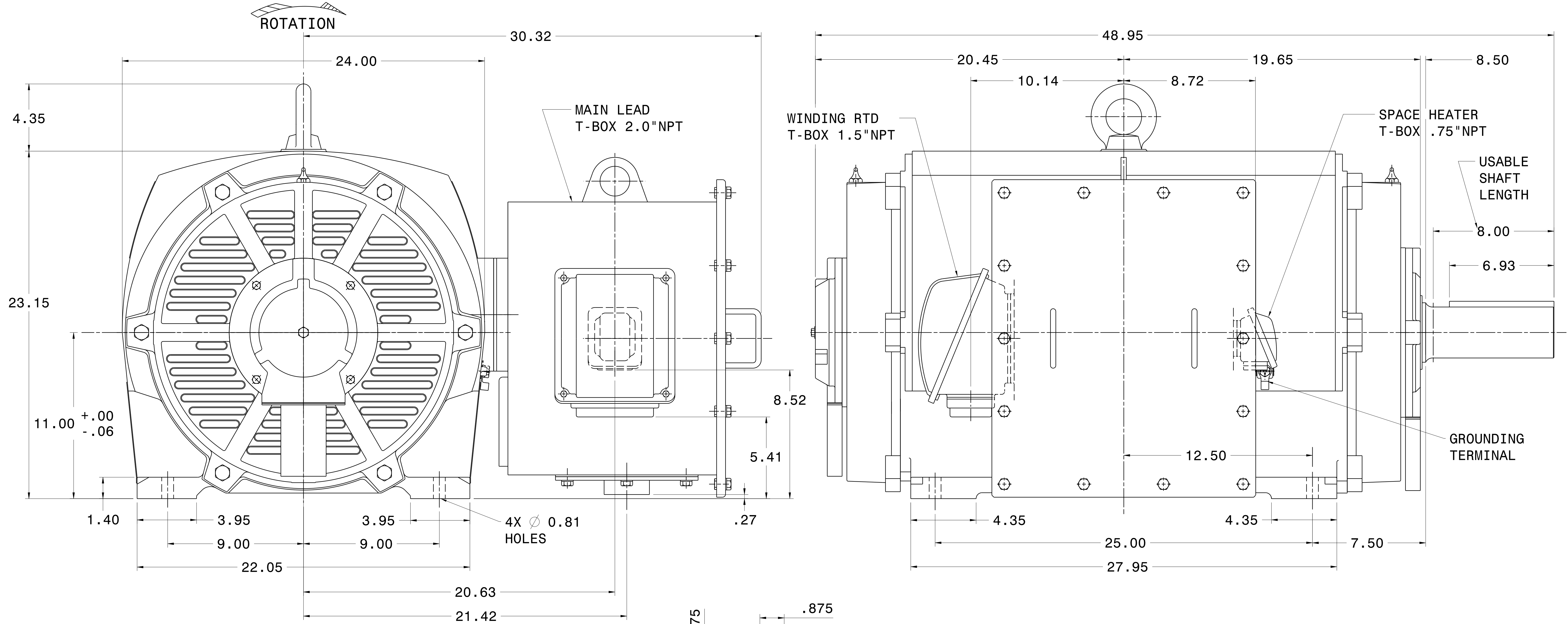
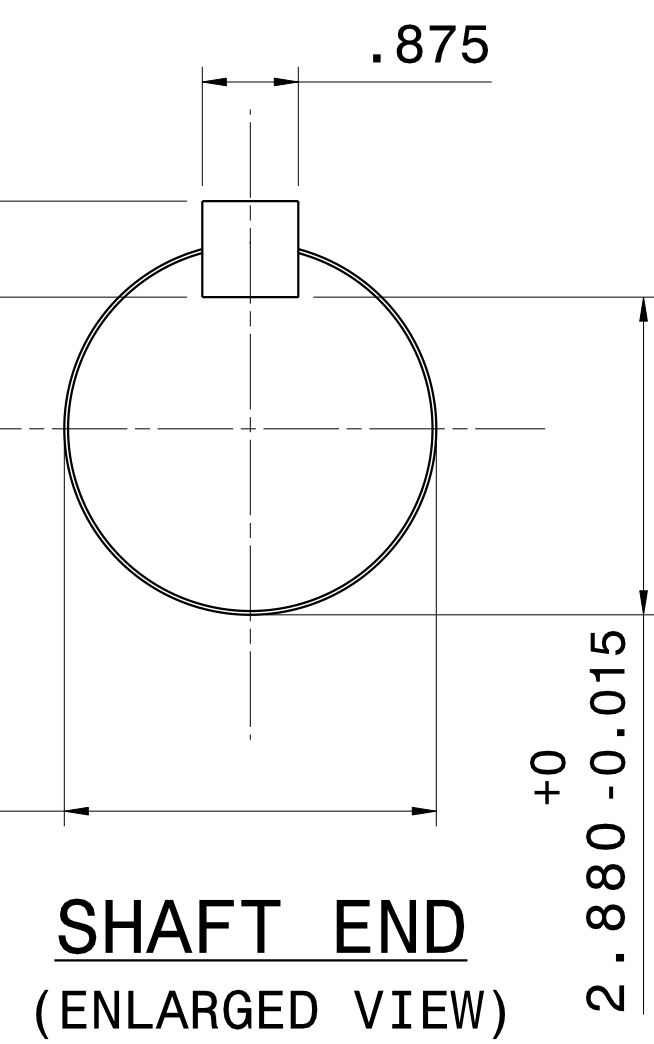


CATALOG #	TYPE	FRAME	OUTPUT		POLE	SYN. SPEED R.P.M.	VOLTAGE V.	Hz.	TIME RATING	INSULATION CLASS	SERVICE FACTOR	BEARINGS		WEIGHT LBS
			HP	KW								DE	NDE	
PG1504	AMHG	449T	150	111.8	4	1800	2300/4160	60	CONT.	F	1.15	6320C3	6318C3	2360

WEATHER PROTECTED TYPE I. SQUIRREL CAGE ROTOR



- NOTES:
1. DIMENSIONS IN INCH.
 2. ENCLOSURE: IP23.
 3. FOR BELT DRIVE.
 4. SPACE HEATER RATED 120 VOLT, SINGLE PHASE.
 5. 100 OHM PLATINUM WINDING RTD'S, 2 PER PHASE.



REF: 4B040M466	REV. DATA			REV NO	01
	TECO Westinghouse			DWG NO.	
	3-PHASE INDUCTION MOTOR			PG1504	
	OUTLINE DIMENSIONS				
DWN K. MILNER		080317	APPD T. FELPS	080317	
TECO-WESTINGHOUSE MOTOR COMPANY			ROUND ROCK, TEXAS USA		