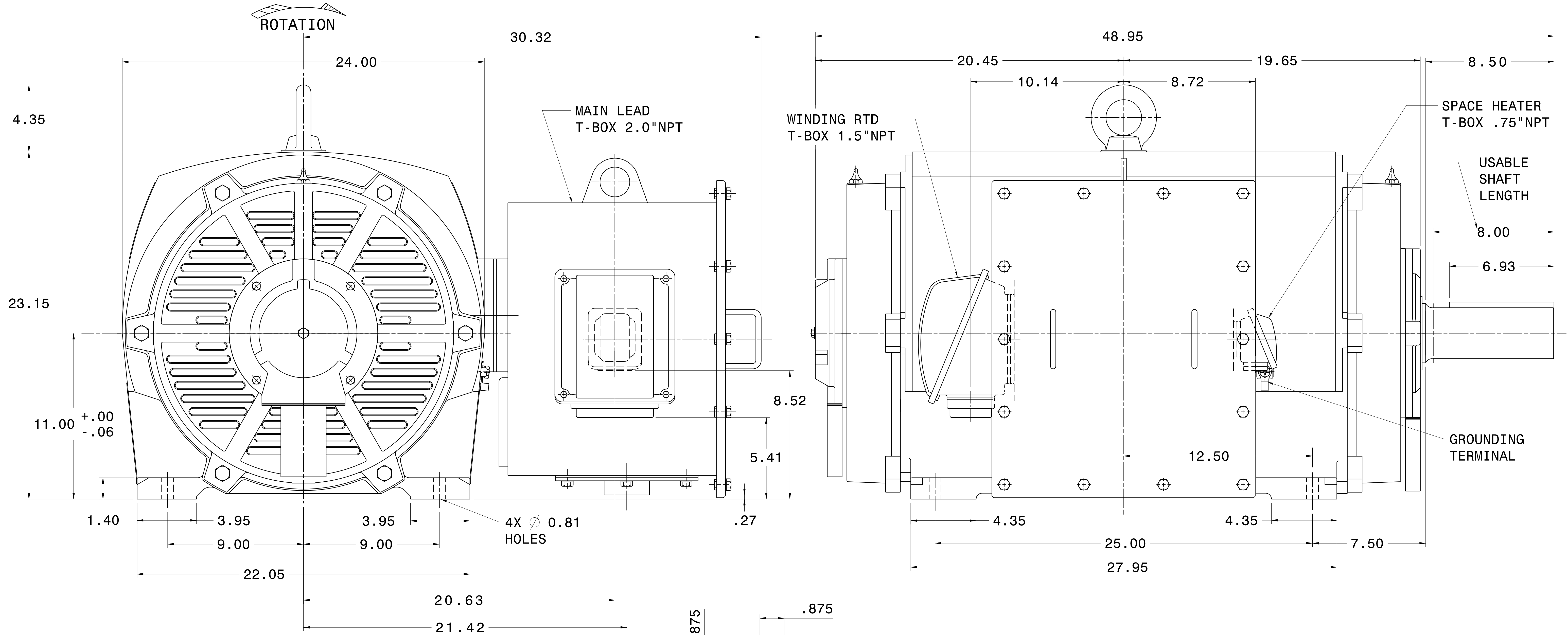
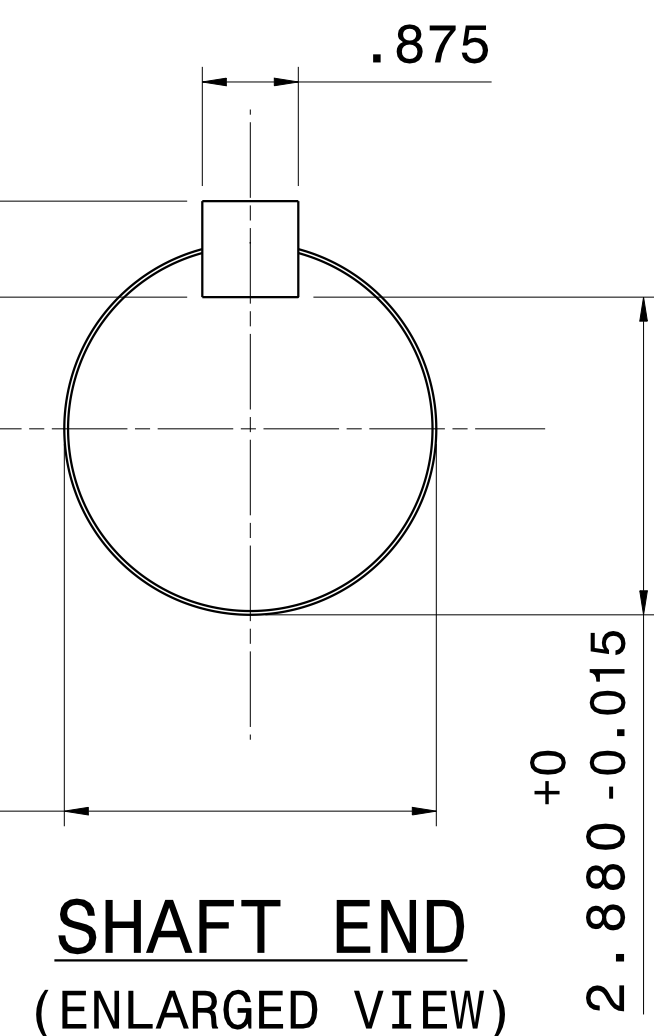


CATALOG #	TYPE	FRAME	OUTPUT		POLE	SYN. SPEED R.P.M.	VOLTAGE V.	Hz.	TIME RATING	INSULATION CLASS	SERVICE FACTOR	BEARINGS		WEIGHT LBS
			HP	KW								DE	NDE	
PG2506	AMHG	449T	250	186.4	6	1200	2300/4160	60	CONT.	F	1.15	NU320C3	6318C3	2340

WEATHER PROTECTED TYPE I. SQUIRREL CAGE ROTOR



- NOTES:
1. DIMENSIONS IN INCH.
  2. ENCLOSURE: IP23.
  3. FOR BELT DRIVE.
  4. SPACE HEATER RATED 120 VOLT, SINGLE PHASE.
  5. 100 OHM PLATINUM WINDING RTD'S, 2 PER PHASE.



REF: 4B040M467	REV. DATA		REV NO 01		
	TECO Westinghouse			DWG NO. PG2506	
	3-PHASE INDUCTION MOTOR OUTLINE DIMENSIONS		TECO-WESTINGHOUSE MOTOR COMPANY		
	DWN K. MILNER		080317 APPD T. FELPS		080317
TECO-WESTINGHOUSE MOTOR COMPANY			ROUND ROCK, TEXAS USA		