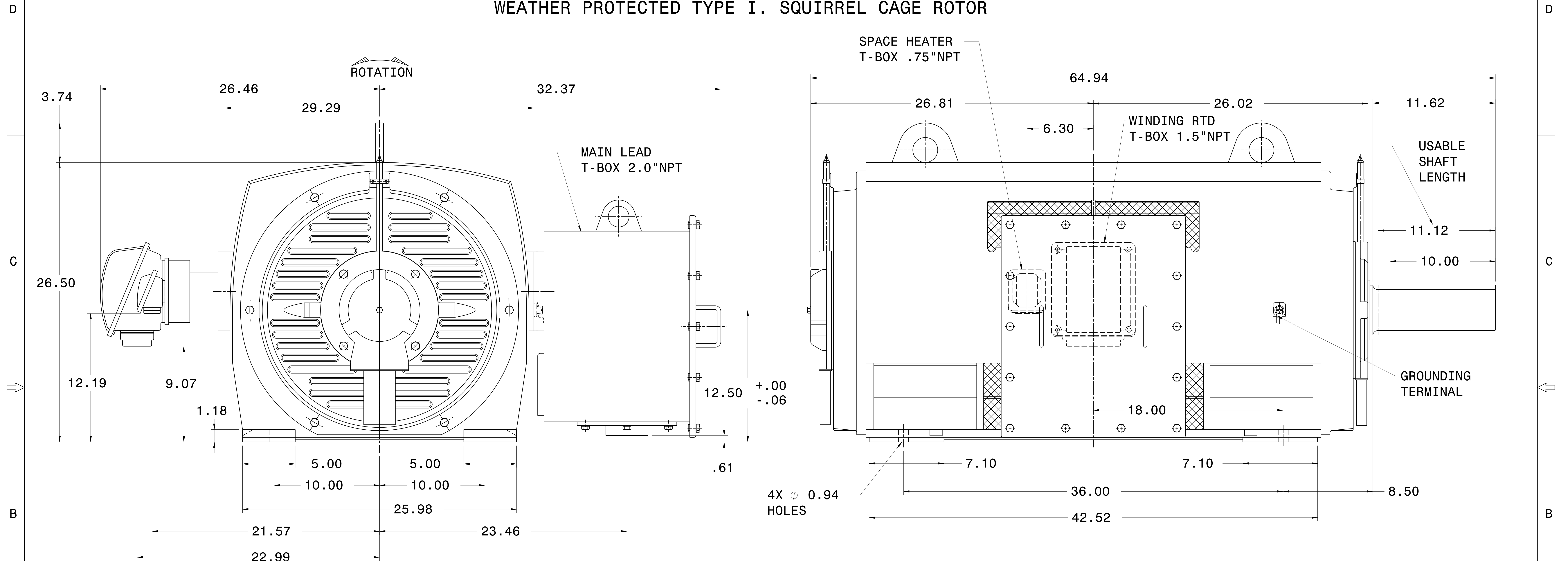
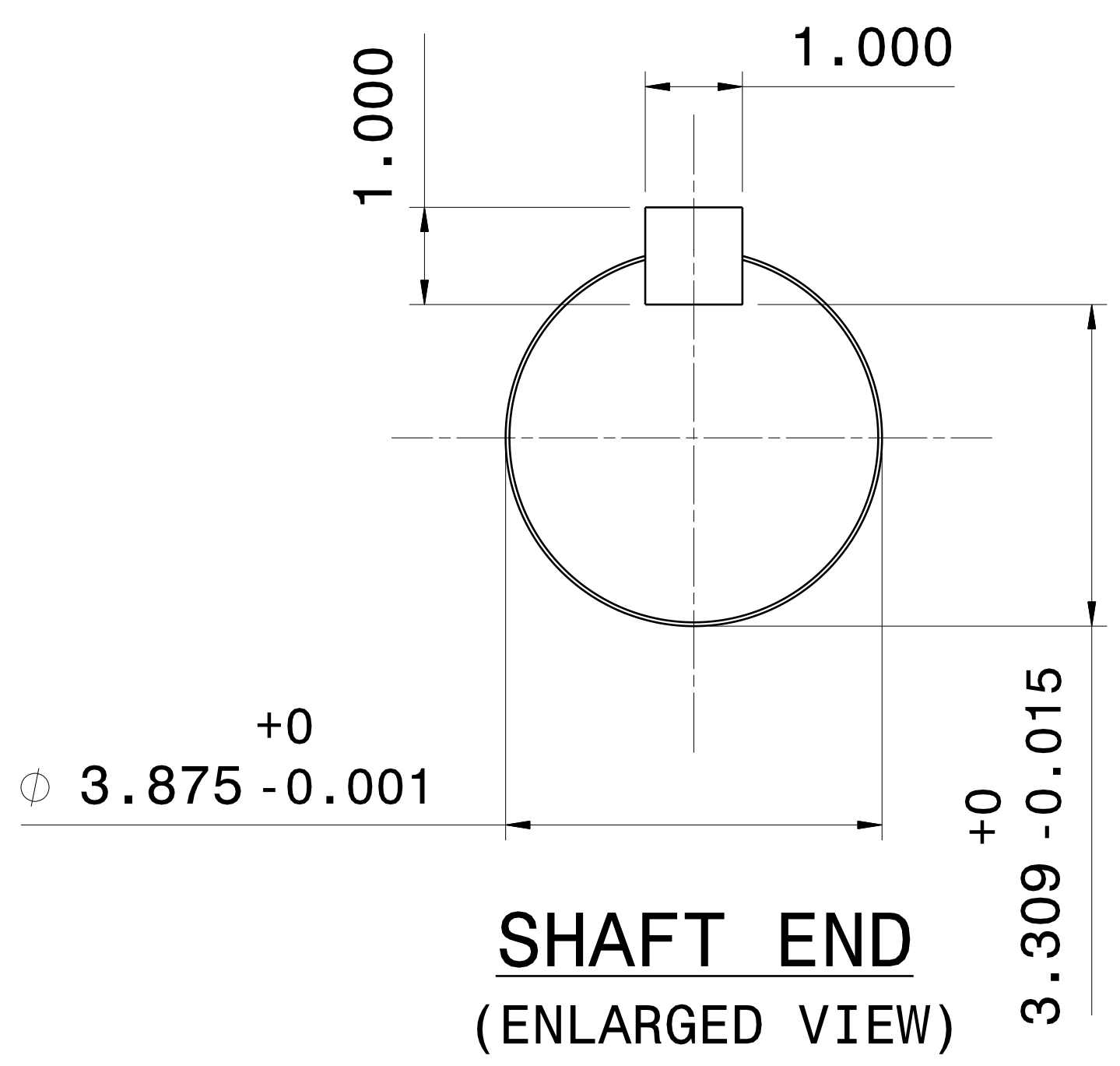


CATALOG #	TYPE	FRAME	OUTPUT		POLE	SYN. SPEED R.P.M.	VOLTAGE V.	Hz.	TIME RATING	INSULATION CLASS	SERVICE FACTOR	BEARINGS		WEIGHT LBS
			HP	KW								DE	NDE	
PG3008	AMHG	5011C	300	223.7	8	900	2300/4160	60	CONT.	F	1.15	6324C3	6320	4380

WEATHER PROTECTED TYPE I. SQUIRREL CAGE ROTOR



- NOTES:
1. DIMENSIONS IN INCH.
 2. ENCLOSURE: IP23.
 3. FOR BELT DRIVE.
 4. SPACE HEATER RATED 120 VOLT, SINGLE PHASE.
 5. 100 OHM PLATINUM WINDING RTD'S, 2 PER PHASE.
 6. PROVISION FOR BEARING RTD MOUNTING:
2X .50" NPT PER BRACKET.



REF: 4B040L324	REV. DATA	TECO Westinghouse		REV NO
		3-PHASE INDUCTION MOTOR		01
		OUTLINE DIMENSIONS		DWG NO.
				PG3008
	DWN K. MILNER	080817	APPD T. FELPS	080817
	TECO-WESTINGHOUSE MOTOR COMPANY		ROUND ROCK, TEXAS	USA