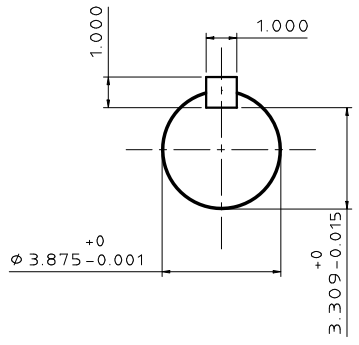
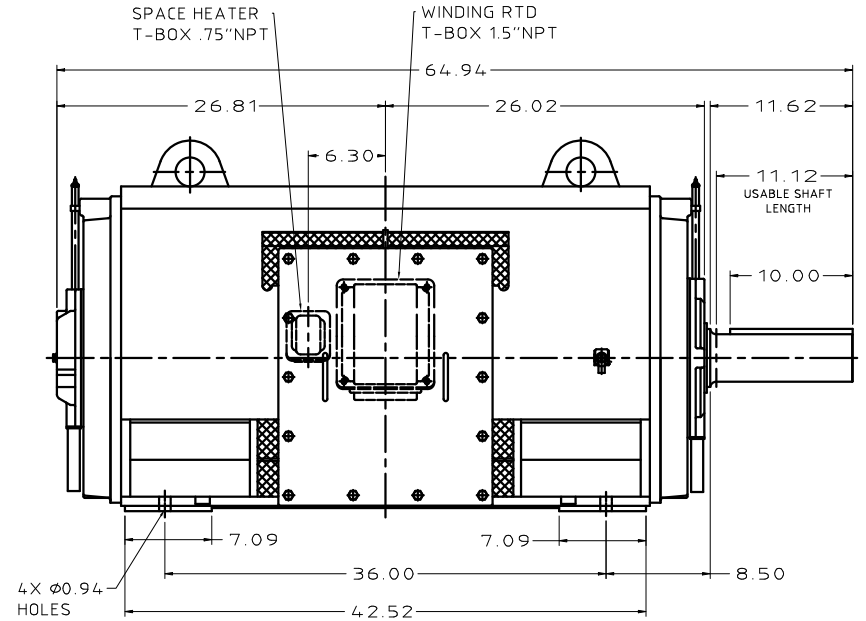
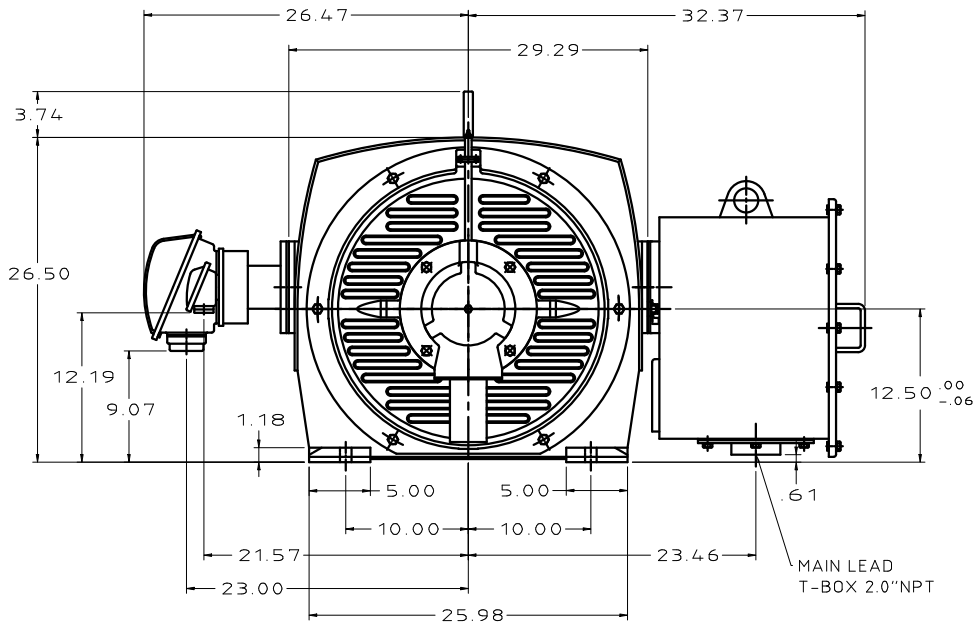


CATALOG #	TYPE	FRAME	OUTPUT		POLE	SYN. SPEED R.P.M.	VOLTAGE V.	Hz.	TIME RATING	INSULATION CLASS	SERVICE FACTOR	BEARINGS		WEIGHT LBS
			HP	kW								DE	NDE	
PG3508	AMHG	5011C	350	261	8	900	2300/4160	60	CONT.	F	1.15	NU324C3	6320C3	4710

WEATHER PROTECTED TYPE I. SQUIRREL CAGE ROTOR



- NOTES:
1. DIMENSIONS IN INCH.
 2. ENCLOSURE: IP23.
 3. FOR BELT DRIVE.
 4. SPACE HEATER RATED 120 VOLT, SINGLE PHASE.
 5. 100 OHM PLATINUM WINDING RTD'S, 2 PER PHASE.
 6. PROVISION FOR BEARING RTD MOUNTING: 2X .50" NPT PER BRACKET.

REF: 4B04-0L324	REV. DATA			REV NO
				01
	3-PHASE INDUCTION MOTOR			DWG NO.
	OUTLINE DIMENSIONS			PG3508
DWN K. MILNER		071817	APPD T. FELPS	071817
TECO-WESTINGHOUSE MOTOR COMPANY				ROUND ROCK, TEXAS USA