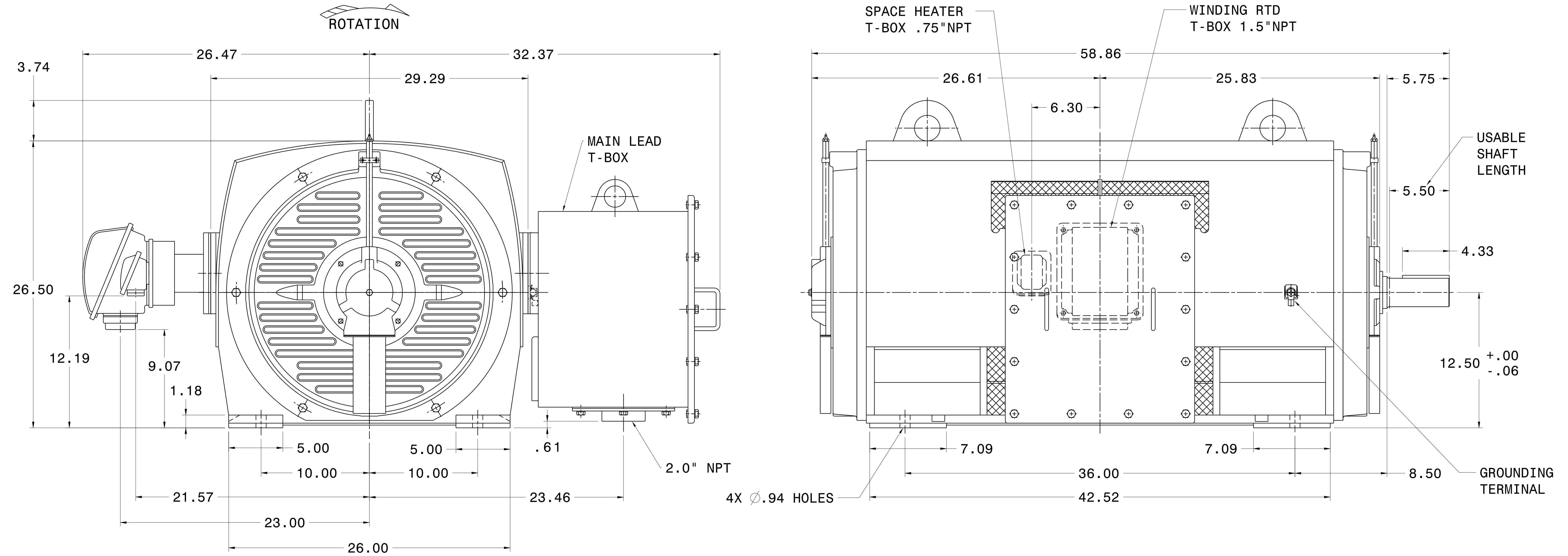


CATALOG #	TYPE	FRAME	OUTPUT		POLE	SYN. SPEED R.P.M.	VOLTAGE V.	Hz.	TIME RATING	INSULATION CLASS	SERVICE FACTOR	BEARINGS		WEIGHT LBS
			HP	KW								DE	NDE	
PG5002	AMHG	5011A	500	372.8	2	3600	2300/4160	60	CONT.	F	1.15	6315C3	6315C3	3900

WEATHER PROTECTED TYPE I. SQUIRREL CAGE ROTOR



- NOTES:
1. DIMENSIONS IN INCH.
 2. ENCLOSURE: IP23.
 3. FOR DIRECT FLEXIBLE COUPLING.
 4. SPACE HEATER RATED 120 VOLT, SINGLE PHASE.
 5. 100 OHM PLATINUM WINDING RTD'S, 2 PER PHASE.
 6. PROVISION FOR BEARING RTD MOUNTING: 2X .50" NPT PER BRACKET.

REF: 4B040L321	REV. DATA			REV NO
	TECO Westinghouse			01
	3-PHASE INDUCTION MOTOR OUTLINE DIMENSIONS			DWG NO. PG5002
	DWN K. MILNER	062017	APPD T. FELPS	062117
TECO-WESTINGHOUSE MOTOR COMPANY				ROUND ROCK, TEXAS USA