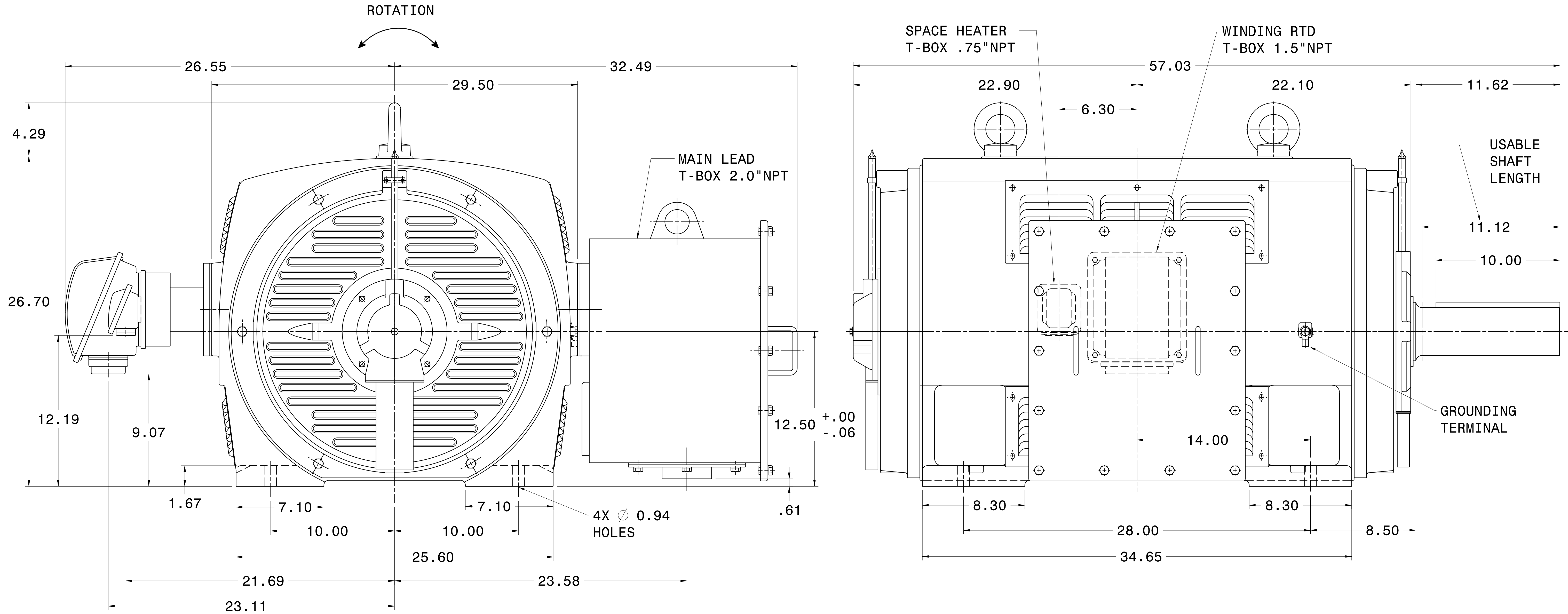


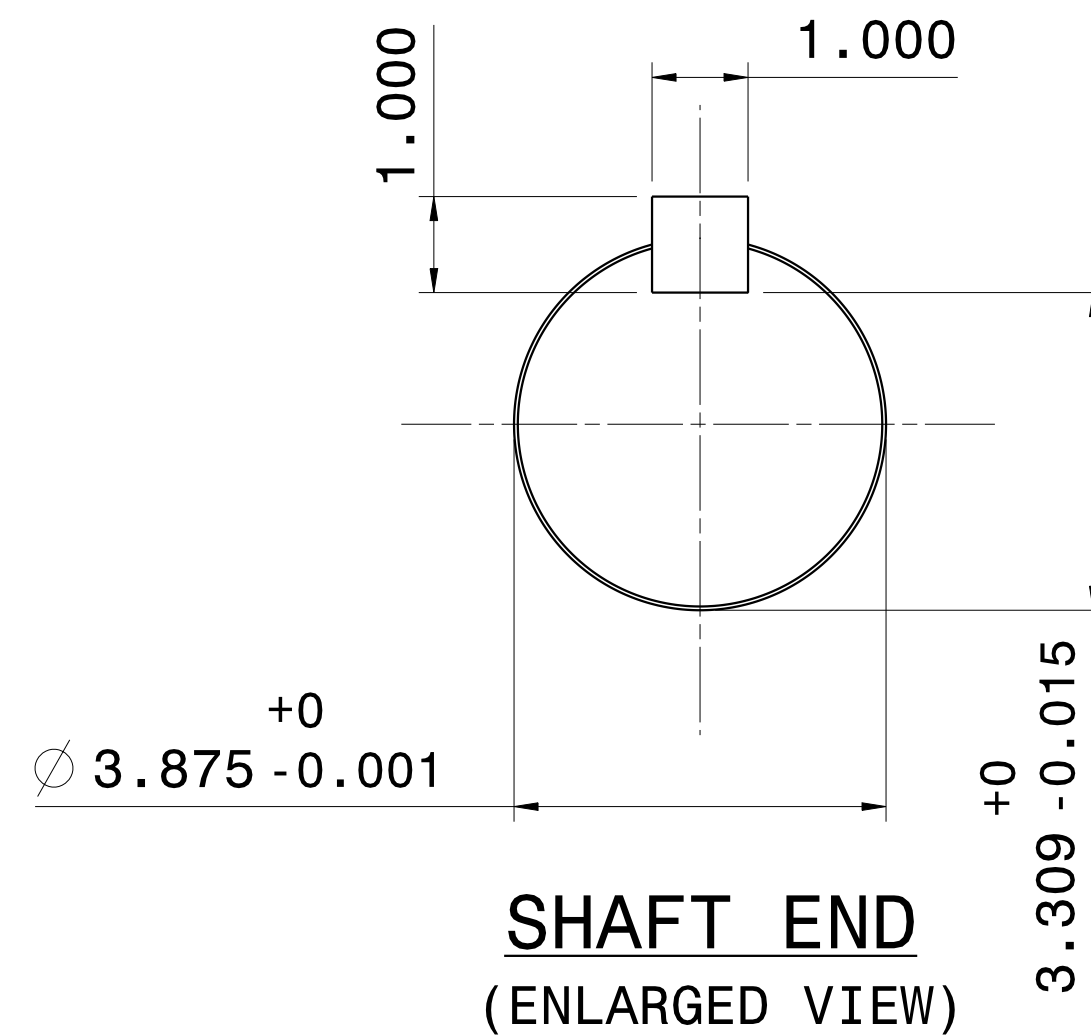
CATALOG #	TYPE	FRAME	OUTPUT		POLE	SYN. SPEED R.P.M.	VOLTAGE V.	Hz.	TIME RATING	INSULATION CLASS	SERVICE FACTOR	BEARINGS		WEIGHT LBS
			HP	KW								DE	NDE	
PG5004	AMHG	5009B	500	372.8	4	1800	2300/4000	60	CONT.	F	1.15	6324C3	6320	3520

WEATHER PROTECTED TYPE I. SQUIRREL CAGE ROTOR



NOTES:

1. DIMENSIONS IN INCH.
2. ENCLOSURE: IP23.
3. FOR BELT DRIVE.
4. SPACE HEATER RATED 120 VOLT, SINGLE PHASE.
5. 100 OHM PLATINUM WINDING RTD'S, 2 PER PHASE.
6. PROVISION FOR BEARING RTD MOUNTING: 2X .50" NPT PER BRACKET.



REF: 4B040L317	REV. DATA			REV NO	01
	TECO Westinghouse			DWG NO.	
	3-PHASE INDUCTION MOTOR			PG5004	
	OUTLINE DIMENSIONS				
DWN K. MILNER		080817	APPD T. FELPS	080817	
TECO-WESTINGHOUSE MOTOR COMPANY			ROUND ROCK, TEXAS USA		