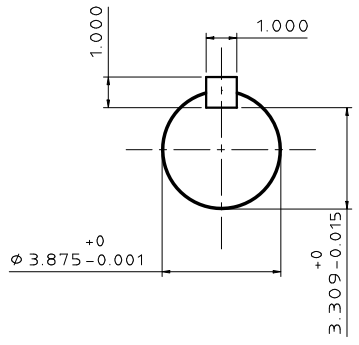
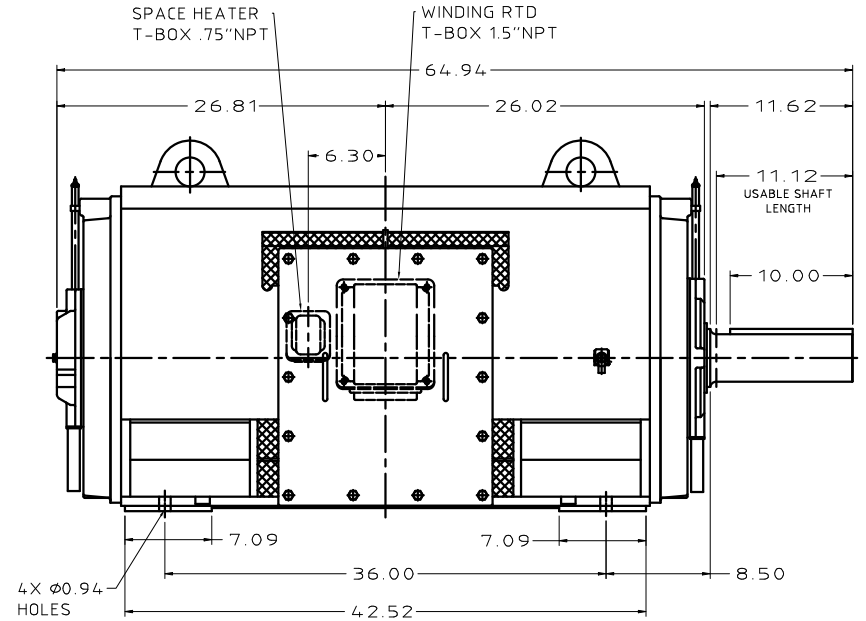
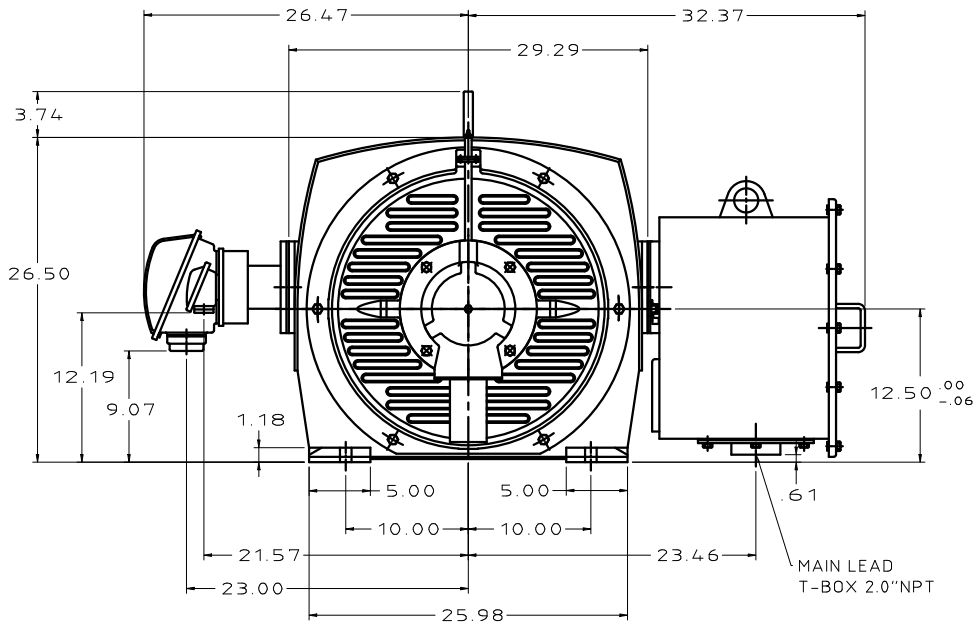


CATALOG #	TYPE	FRAME	OUTPUT		POLE	SYN. SPEED R.P.M.	VOLTAGE V.	Hz.	TIME RATING	INSULATION CLASS	SERVICE FACTOR	BEARINGS		WEIGHT LBS
			HP	kW								DE	NDE	
PG6006	AMHG	5011B	600	447.4	6	1200	2300/4160	60	CONT.	F	1.15	6324C3	6320C3	3920

WEATHER PROTECTED TYPE I. SQUIRREL CAGE ROTOR



- NOTES:
1. DIMENSIONS IN INCH.
  2. ENCLOSURE: IP23.
  3. FOR BELT DRIVE.
  4. SPACE HEATER RATED 120 VOLT, SINGLE PHASE.
  5. 100 OHM PLATINUM WINDING RTD'S, 2 PER PHASE.
  6. PROVISION FOR BEARING RTD MOUNTING: 2X .50" NPT PER BRACKET.

REF: 4B04.0L323	REV. DATA			REV NO
				01
	3-PHASE INDUCTION MOTOR			DWG NO.
	OUTLINE DIMENSIONS			PG6006
DWN K. MILNER		071817	APPD T. FELPS	071817
TECO-WESTINGHOUSE MOTOR COMPANY				ROUND ROCK, TEXAS USA