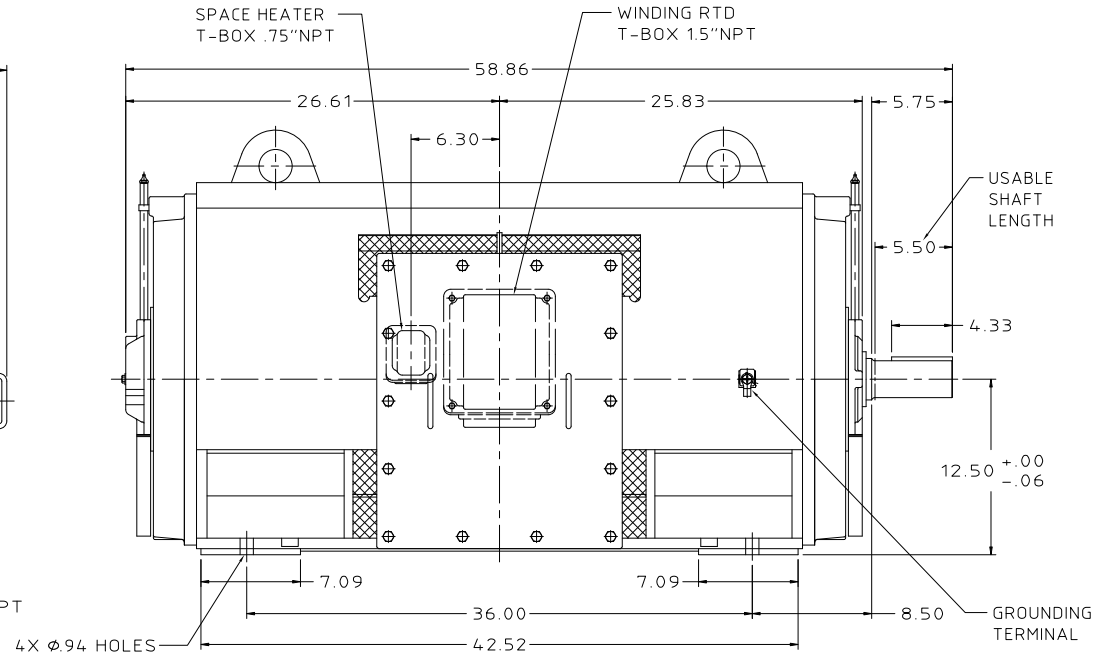
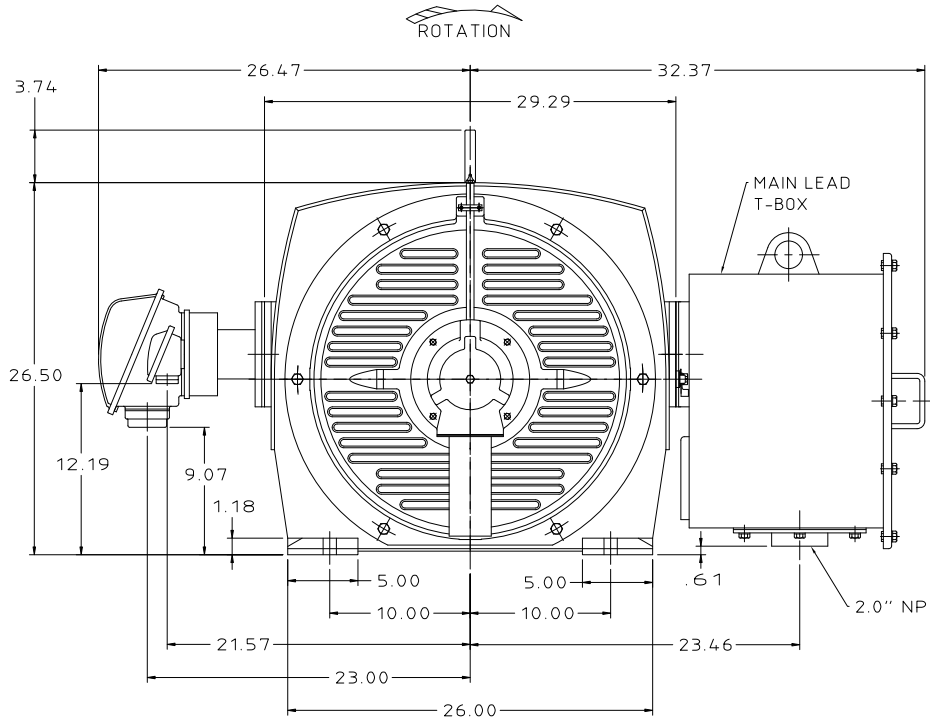


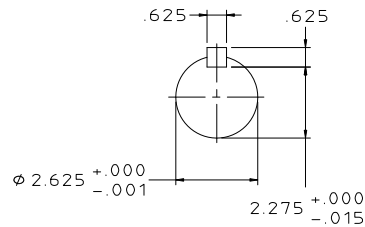
CATALOG #	TYPE	FRAME	OUTPUT		POLE	SYN. SPEED R.P.M.	VOLTAGE V.	Hz.	TIME RATING	INSULATION CLASS	SERVICE FACTOR	BEARINGS		WEIGHT LBS
			HP	kW								DE	NDE	
PG7002	AMHG	5011A	700	522	2	3600	2300/4160	60	CONT.	F	1.15	6315C3	6315-INS	4200

WEATHER PROTECTED TYPE I. SQUIRREL CAGE ROTOR



NOTES:

1. DIMENSIONS IN INCH.
2. ENCLOSURE: IP23.
3. FOR DIRECT FLEXIBLE COUPLING.
4. SPACE HEATER RATED 120 VOLT, SINGLE PHASE.
5. 100 OHM PLATINUM WINDING RTD'S, 2 PER PHASE.
6. PROVISION FOR BEARING RTD MOUNTING: 2X .50" NPT PER BRACKET.



REV. DATA	TECO Westinghouse		REV NO
REF: 48040L321	3-PHASE INDUCTION MOTOR		DWG NO.
	OUTLINE DIMENSIONS		PG7002
DWN K. MILNER	062017	APPD T. FELPS	062117
TECO-WESTINGHOUSE MOTOR COMPANY		ROUND ROCK, TEXAS	USA