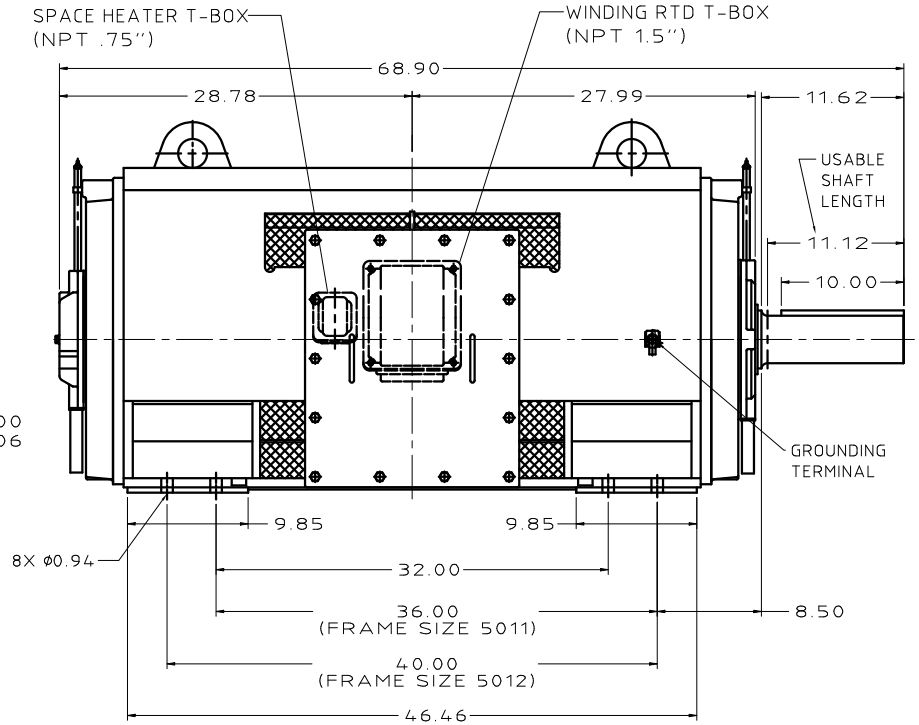
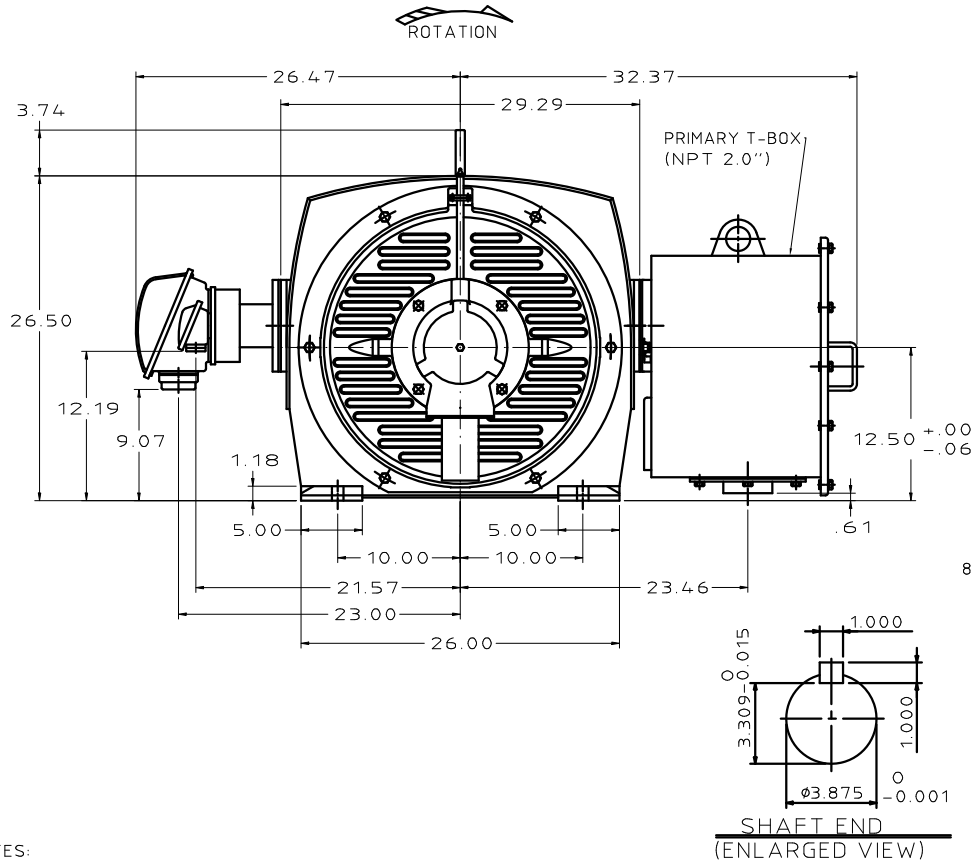


| CATALOG # | ASHA | FRAME | OUTPUT |     | POLE | SYN. SPEED R.P.M. | VOLTAGE V. | Hz. | TIME RATING | INSULATION CLASS | SERVICE FACTOR | BEARINGS |        | WEIGHT LBS |
|-----------|------|-------|--------|-----|------|-------------------|------------|-----|-------------|------------------|----------------|----------|--------|------------|
|           |      |       | HP     | kw  |      |                   |            |     |             |                  |                | DE       | NDE    |            |
| PG7006    | AMHG | 5012C | 700    | 522 | 6    | 1200              | 2300/4160  | 60  | CONT.       | F                | 1.15           | NU324C3  | 6320C3 | 4850       |

WEATHER PROTECTED TYPE I. SQUIRREL CAGE ROTOR



NOTES:

1. DIMENSIONS IN INCH.
2. ENCLOSURE: IP23.
3. FOR BELT DRIVE.
4. SPACE HEATER RATED 120 VOLT, SINGLE PHASE.
5. 100 OHM PLATINUM WINDING RTD'S, 2 PER PHASE.
6. PROVISION FOR BEARING RTD MOUNTING: 2X .50" NPT PER BRACKET.

|                                 |                         |        |               |                       |
|---------------------------------|-------------------------|--------|---------------|-----------------------|
| REF: 4B04.0L327                 | REV. DATA               |        |               | REV NO                |
|                                 |                         |        |               | 01                    |
|                                 | 3-PHASE INDUCTION MOTOR |        |               | DWG NO.               |
|                                 | OUTLINE DIMENSIONS      |        |               | PG7006                |
| DWN K. MILNER                   |                         | 071817 | APPD T. FELPS | 071817                |
| TECO-WESTINGHOUSE MOTOR COMPANY |                         |        |               | ROUND ROCK, TEXAS USA |