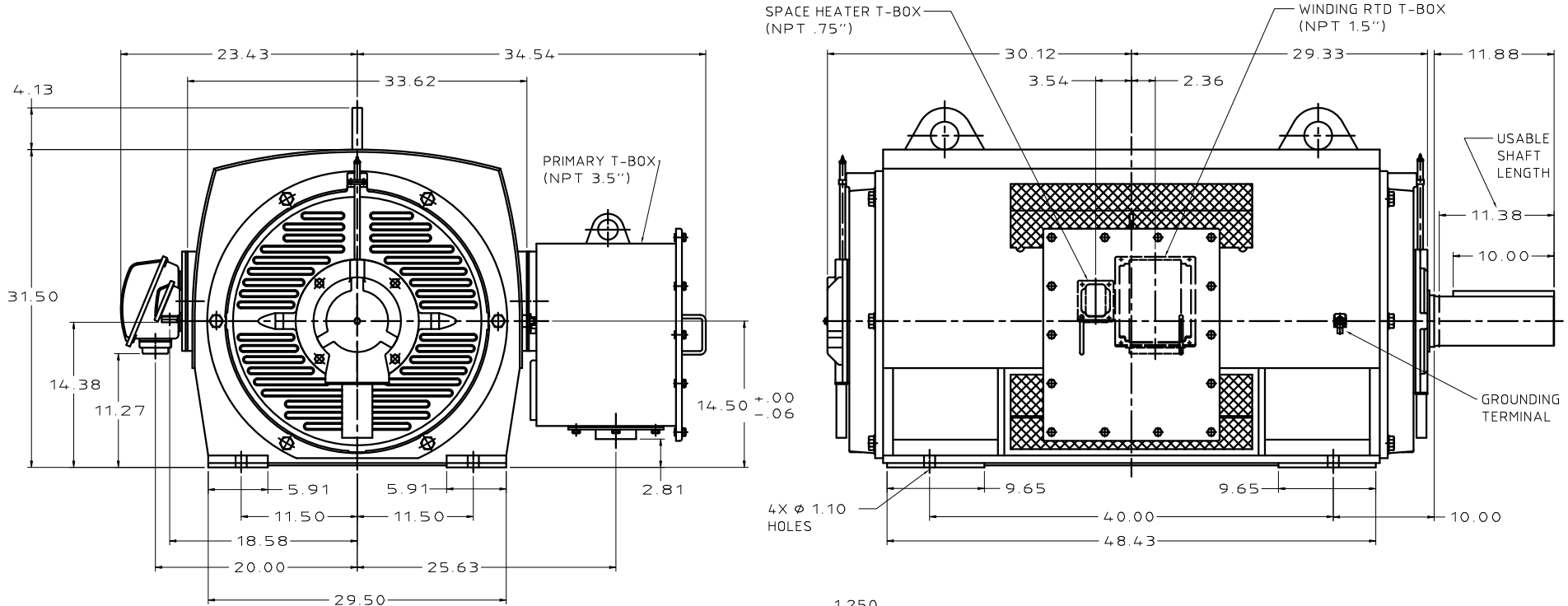


CATALOG #	ASHA	FRAME	OUTPUT		POLE	SYN. SPEED R.P.M.	VOLTAGE V.	Hz.	TIME RATING	INSULATION CLASS	SERVICE FACTOR	BEARINGS		WEIGHT LBS
			HP	kW								DE	NDE	
PG7008	AMHG	5811C	700	522	8	900	2300/4160	60	CONT.	F	1.15	NU326C3	6322	6880

WEATHER PROTECTED TYPE I. SQUIRREL CAGE ROTOR



NOTES:

1. DIMENSIONS IN INCH.
2. ENCLOSURE: IP23.
3. FOR BELT DRIVE.
4. SPACE HEATER RATED 120 VOLT, SINGLE PHASE.
5. 100 OHM PLATINUM WINDING RTD'S, 2 PER PHASE.
6. PROVISION FOR BEARING RTD MOUNTING: 2X .50" NPT PER BRACKET.

REF: 4B04.0L335	REV. DATA			REV NO
				01
	3-PHASE INDUCTION MOTOR			DWG NO.
	OUTLINE DIMENSIONS			PG7008
DWN K. MILNER		072417	APPD T. FELPS	072417
TECO-WESTINGHOUSE MOTOR COMPANY				ROUND ROCK, TEXAS USA