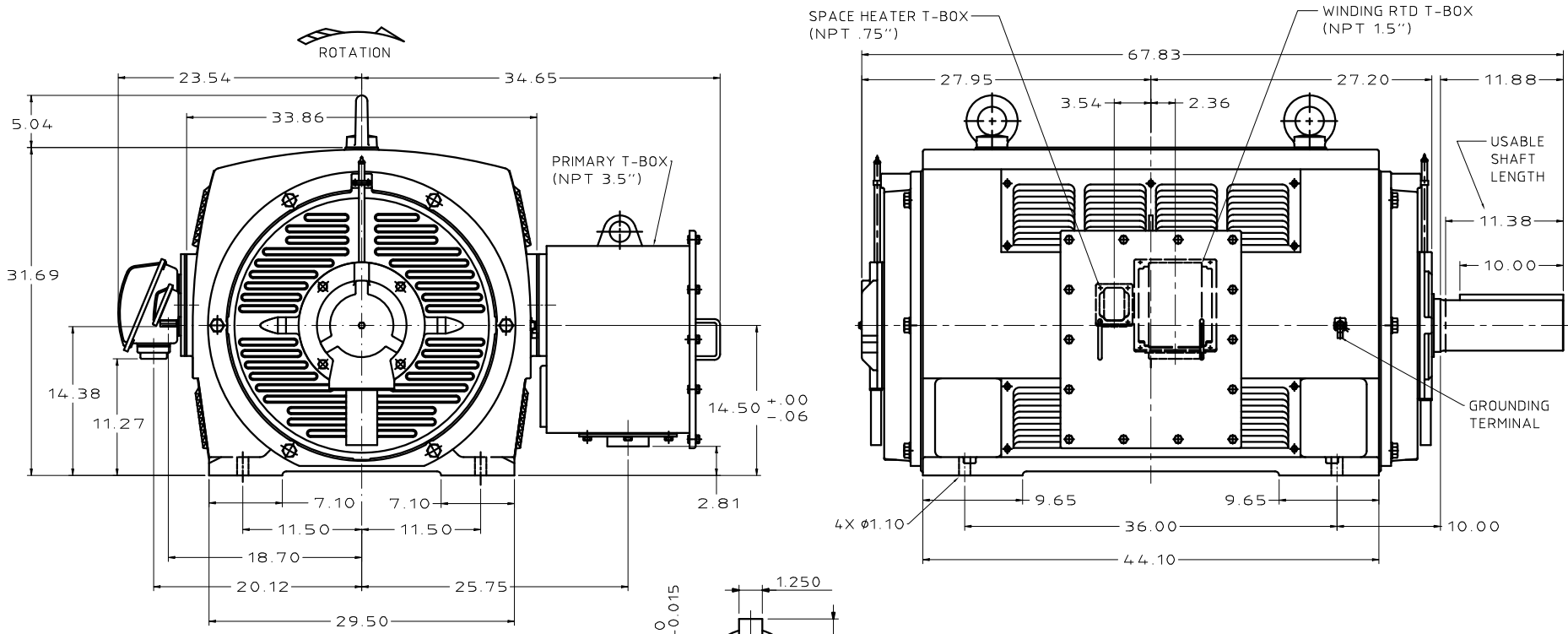


| CATALOG # | ASHA | FRAME | OUTPUT | | POLE | SYN. SPEED R.P.M. | VOLTAGE V. | Hz. | TIME RATING | INSULATION CLASS | SERVICE FACTOR | BEARINGS | | WEIGHT LBS |
|-----------|------|-------|--------|-------|------|-------------------|------------|-----|-------------|------------------|----------------|----------|------|------------|
| | | | HP | kW | | | | | | | | DE | NDE | |
| PG8006 | AMHG | 5810C | 800 | 596.5 | 6 | 1200 | 2300/4160 | 60 | CONT. | F | 1.15 | NU326C3 | 6322 | 5940 |

WEATHER PROTECTED TYPE I. SQUIRREL CAGE ROTOR



NOTES:

1. DIMENSIONS IN INCH.
2. ENCLOSURE: IP23.
3. FOR BELT DRIVE.
4. SPACE HEATER RATED 120 VOLT, SINGLE PHASE.
5. 100 OHM PLATINUM WINDING RTD'S, 2 PER PHASE.
6. PROVISION FOR BEARING RTD MOUNTING: 2X .50" NPT PER BRACKET.

| | | | | |
|---------------------------------|-----------|---------------|-----------------------|--------|
| REF: 4B04.0L331 | REV. DATA | | | REV NO |
| | | | | 01 |
| 3-PHASE INDUCTION MOTOR | | | DWG NO. | |
| OUTLINE DIMENSIONS | | | PG8006 | |
| DWN K. MILNER | 071817 | APPD T. FELPS | 071817 | |
| TECO-WESTINGHOUSE MOTOR COMPANY | | | ROUND ROCK, TEXAS USA | |