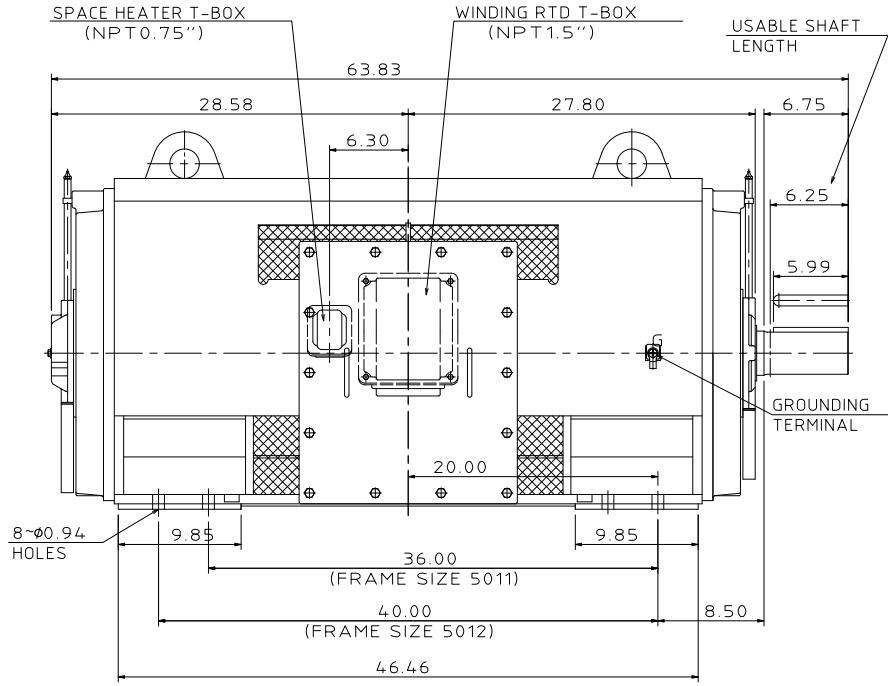
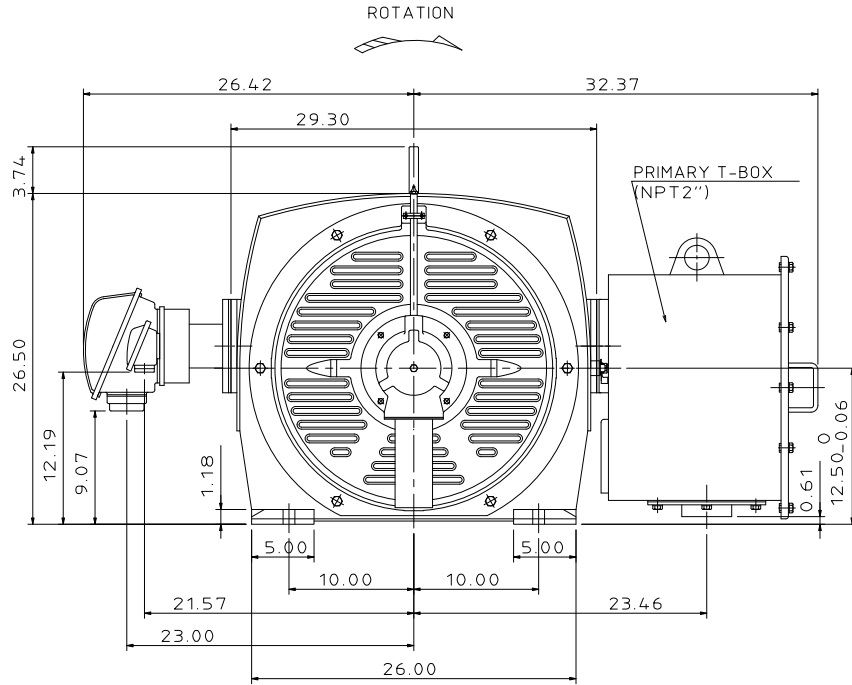
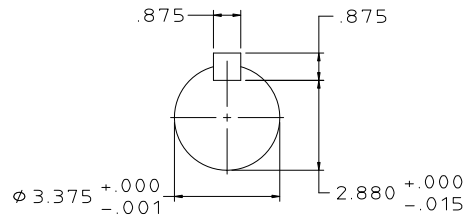


CATALOG #	ASHA	FRAME	OUTPUT		POLE	SYN. SPEED R.P.M.	VOLTAGE V.	Hz.	TIME RATING	INSULATION CLASS	SERVICE FACTOR	BEARINGS		WEIGHT LBS
			HP	kW								DE	NDE	
PG9002	AMHG	5012A	900	671	2	3600	2300/4160	60	CONT.	F	1.15	6218C3	6315-INS	4600

WEATHER PROTECTED TYPE I. SQUIRREL CAGE ROTOR



- NOTES:
1. DIMENSIONS IN INCH.
  2. ENCLOSURE: IP23.
  3. FOR DIRECT FLEXIBLE COUPLING.
  4. SPACE HEATER RATED 120 VOLT, SINGLE PHASE.
  5. 100 OHM PLATINUM WINDING RTD'S, 2 PER PHASE.
  6. PROVISION FOR BEARING RTD MOUNTING: 2X .50" NPT PER BRACKET.



REV. DATA	TECO Westinghouse		REV NO
	3-PHASE INDUCTION MOTOR		01
	OUTLINE DIMENSIONS		DWG NO.
			PG9002
REF: 48040L325	DWN T. FELPS	051017	APPD S. GROHOSKY
TECO-WESTINGHOUSE MOTOR COMPANY		ROUND ROCK, TEXAS	USA