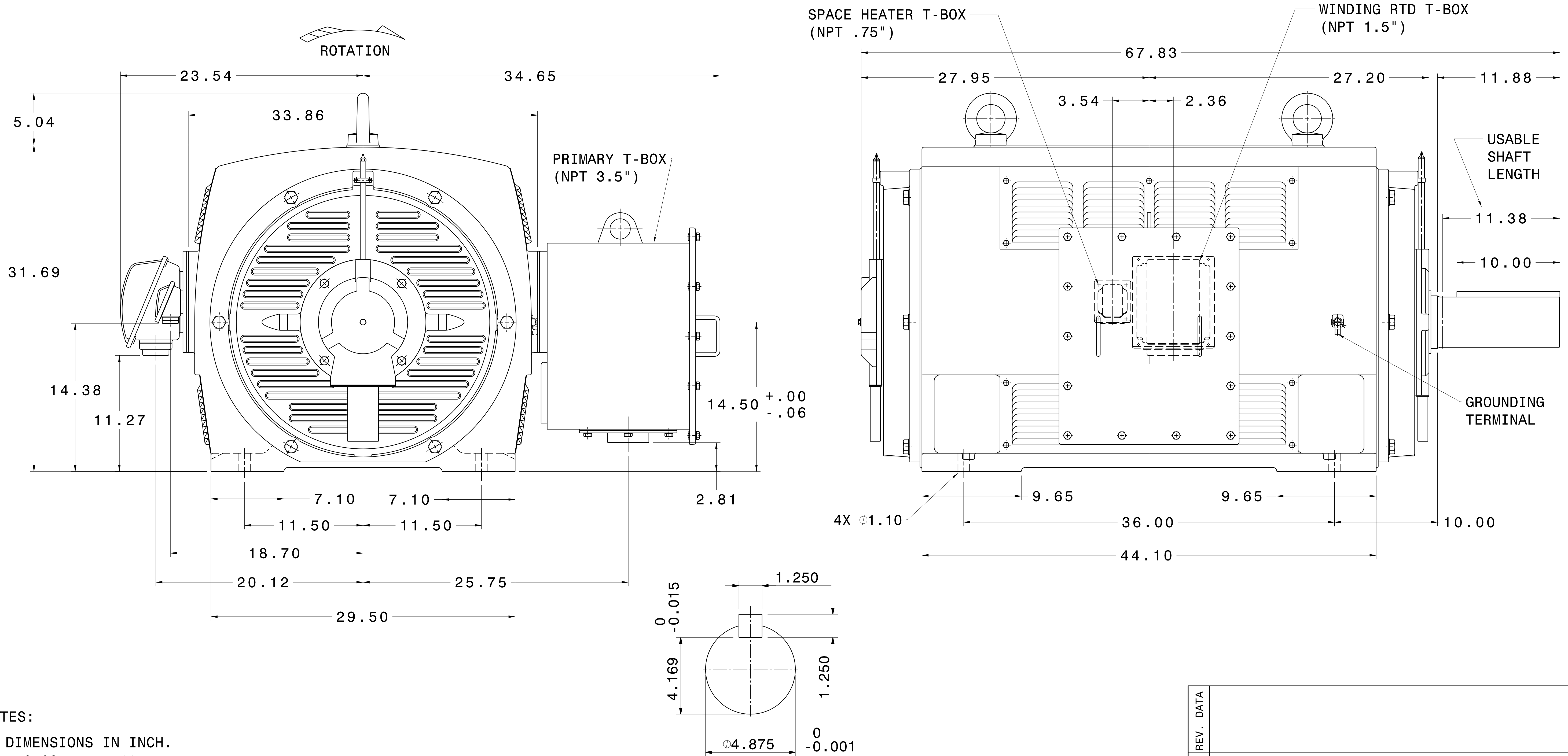


| CATALOG # | ASHA | FRAME | OUTPUT |       | POLE | SYN. SPEED R.P.M. | VOLTAGE V. | Hz. | TIME RATING | INSULATION CLASS | SERVICE FACTOR | BEARINGS |      | WEIGHT LBS |
|-----------|------|-------|--------|-------|------|-------------------|------------|-----|-------------|------------------|----------------|----------|------|------------|
|           |      |       | HP     | kW    |      |                   |            |     |             |                  |                | DE       | NDE  |            |
| PG9006    | AMHG | 5810C | 900    | 671.1 | 6    | 1200              | 2300/4160  | 60  | CONT.       | F                | 1.15           | NU326C3  | 6322 | 6230       |

WEATHER PROTECTED TYPE I. SQUIRREL CAGE ROTOR



- NOTES:
1. DIMENSIONS IN INCH.
  2. ENCLOSURE: IP23.
  3. FOR DIRECT FLEXIBLE COUPLING.
  4. SPACE HEATER RATED 120 VOLT, SINGLE PHASE.
  5. 100 OHM PLATINUM WINDING RTD'S, 2 PER PHASE.
  6. PROVISION FOR BEARING RTD MOUNTING: 2X .50" NPT PER BRACKET.

|                                 |   |                       |                   |        |
|---------------------------------|---|-----------------------|-------------------|--------|
| REF: 4B040L331                  | REV. DATA                                     |                       | REV NO            |        |
|                                 | TEC Westinghouse                              |                       | 01                |        |
|                                 | 3-PHASE INDUCTION MOTOR<br>OUTLINE DIMENSIONS |                       | DWG NO.<br>PG9006 |        |
|                                 | DWN K. MILNER                                 | 071817                | APPD T. FELPS     | 071817 |
| TECO-WESTINGHOUSE MOTOR COMPANY |   | ROUND ROCK, TEXAS USA |                   |        |