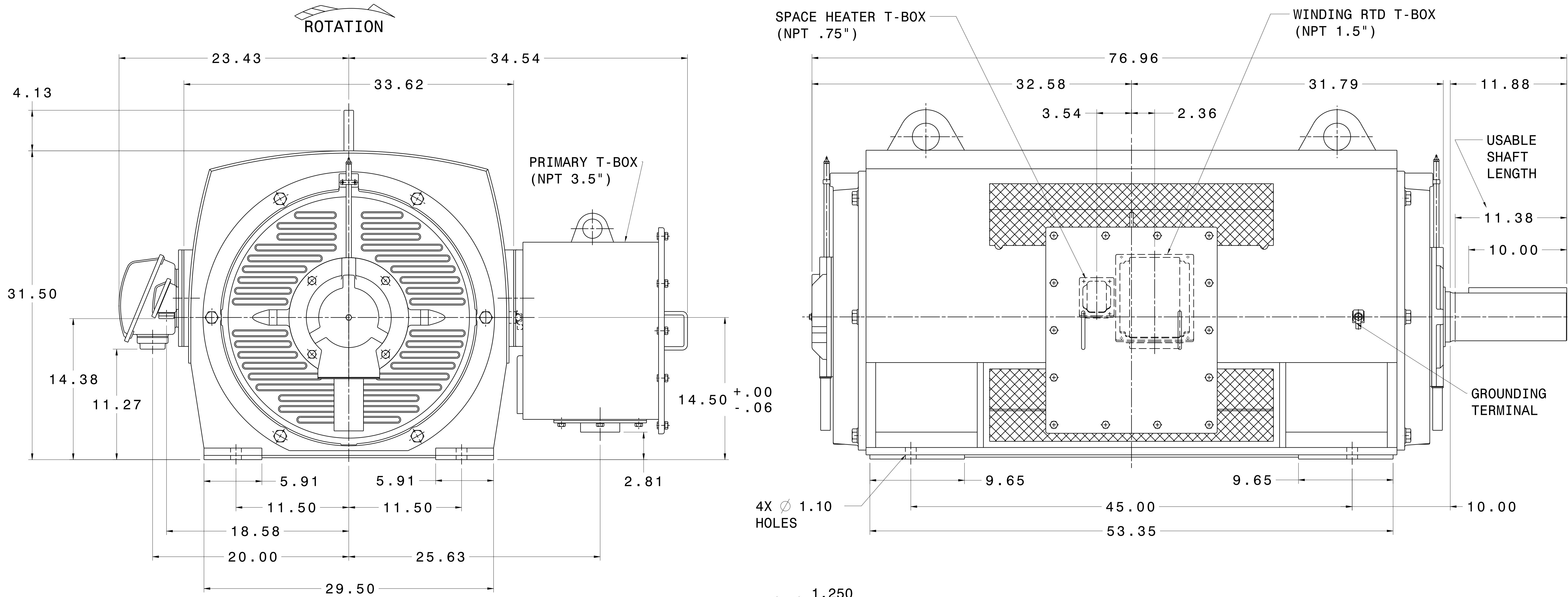


CATALOG #	ASHA	FRAME	OUTPUT		POLE	SYN. SPEED R.P.M.	VOLTAGE V.	Hz.	TIME RATING	INSULATION CLASS	SERVICE FACTOR	BEARINGS		WEIGHT LBS
			HP	kW								DE	NDE	
PG9008	AMHG	5812C	900	671.1	8	900	2300/4160	60	CONT.	F	1.15	NU326C3	6322	7700

WEATHER PROTECTED TYPE I. SQUIRREL CAGE ROTOR



- NOTES:
1. DIMENSIONS IN INCH.
 2. ENCLOSURE: IP23.
 3. FOR BELT DRIVE.
 4. SPACE HEATER RATED 120 VOLT, SINGLE PHASE.
 5. 100 OHM PLATINUM WINDING RTD'S, 2 PER PHASE.
 6. PROVISION FOR BEARING RTD MOUNTING: 2X .50" NPT PER BRACKET.

REF: 4B040L337	REV. DATA	TECO Westinghouse		REV NO	01
	3-PHASE INDUCTION MOTOR			DWG NO.	PG9008
	DWN K. MILNER		072517	APPD T. FELPS	072517
	TECO-WESTINGHOUSE MOTOR COMPANY		ROUND ROCK, TEXAS		USA