

TECO Westinghouse

OUTLINE DIMENSIONS

MOTOR TYPE:
DVHM--NF02K2LA010

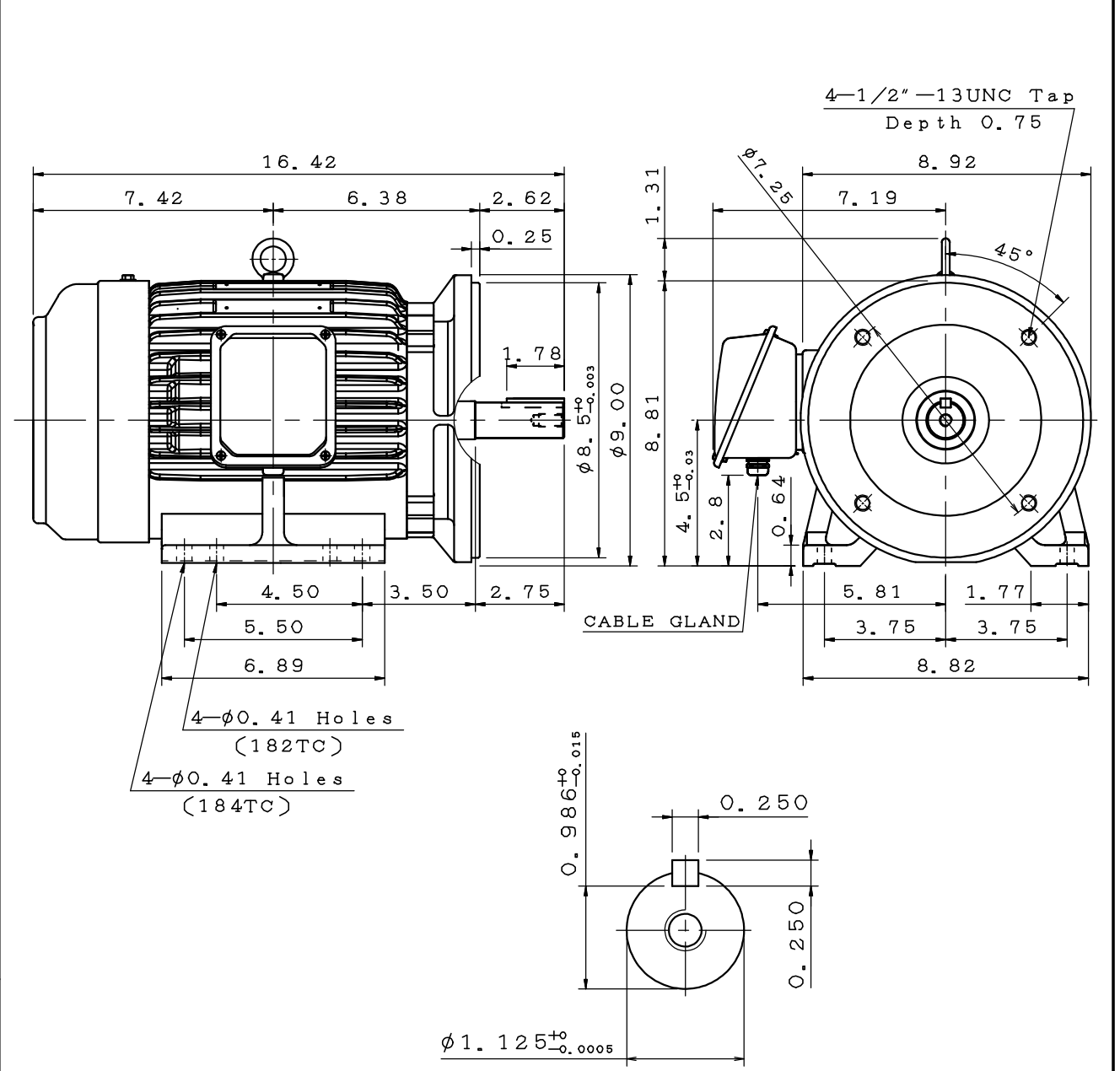
DATE June 11, 2020

PERMANENT MAGNET MOTOR

FRAME NO. 182TC

Pole	HP	kW	Hz	VOLT	r/min(rpm)
6	3	2.2	60	230/460	1800

Ins	Rating	Dimension in	Approx Weight	Bearings
F	CONT.	inch	90.0 lbs	DE: 6306ZZ NDE: 6306ZZ



Note:

1. IP55 Protection.
2. Indoor Service.
3. CABLE GLAND(PF1/2")
SUITABLE FOR RANGE
Ø0.27~Ø0.47

PMTWMC20200601-01-00

◇	.	.
---	---	---

DWG.	梁志豪	06.02.20
CHKD.	梁志豪	06.04.20
APPD.	王祈欣	06.04.20

TECO Westinghouse

DWG NO.
31049R318080