

TECO® Westinghouse

OUTLINE DIMENSIONS

MOTOR TYPE:
DVHM--NF07K5LA010

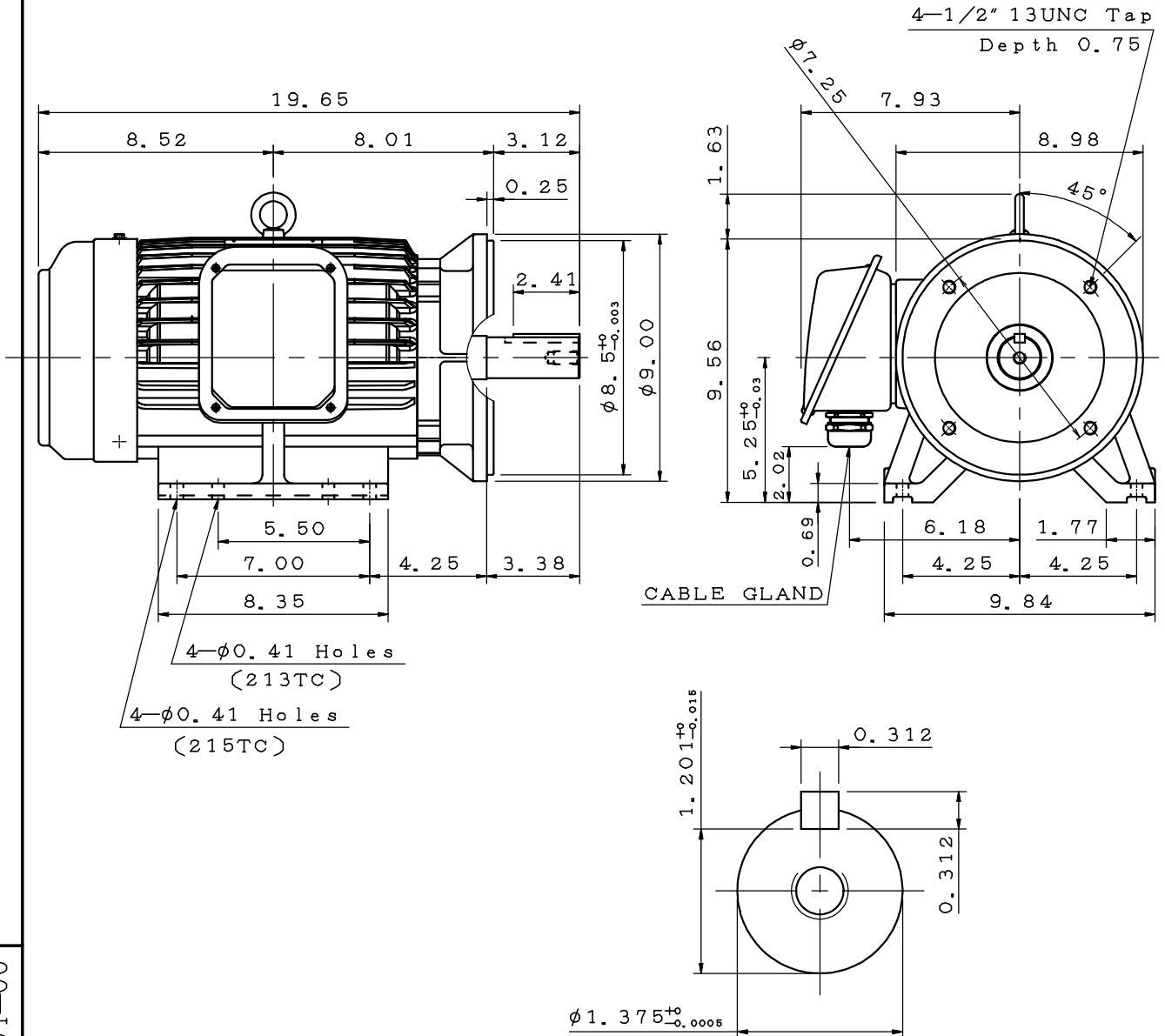
DATE June 11, 2020

PERMANENT MAGNET MOTOR

FRAME NO. 215TC

Pole	HP	kW	Hz	VOLT	r/min(rpm)
6	10	7.5	60	230/460	1800

Ins	Rating	Dimension in	Approx Weight	Bearings
F	CONT.	inch	115.0 lbs	DE:6308ZZ NDE:6306ZZ



Note :

1. IP55 Protection.
2. Indoor Service.
3. CABLE GLAND(PF1")
SUITABLE FOR RANGE
 $\phi 0.71 \sim \phi 0.98$

PMTWMC20200601-01-00

◇	.	.
---	---	---

DWG.	梁志豪	06.02.20
CHKD.	梁志豪	06.04.20
APPD.	王祈欣	06.04.20

TECO® Westinghouse

DWG NO.
31049R320120