

**TECO**®Westinghouse

OUTLINE DIMENSIONS

MOTOR TYPE:  
DVHM—NF22K0LA010

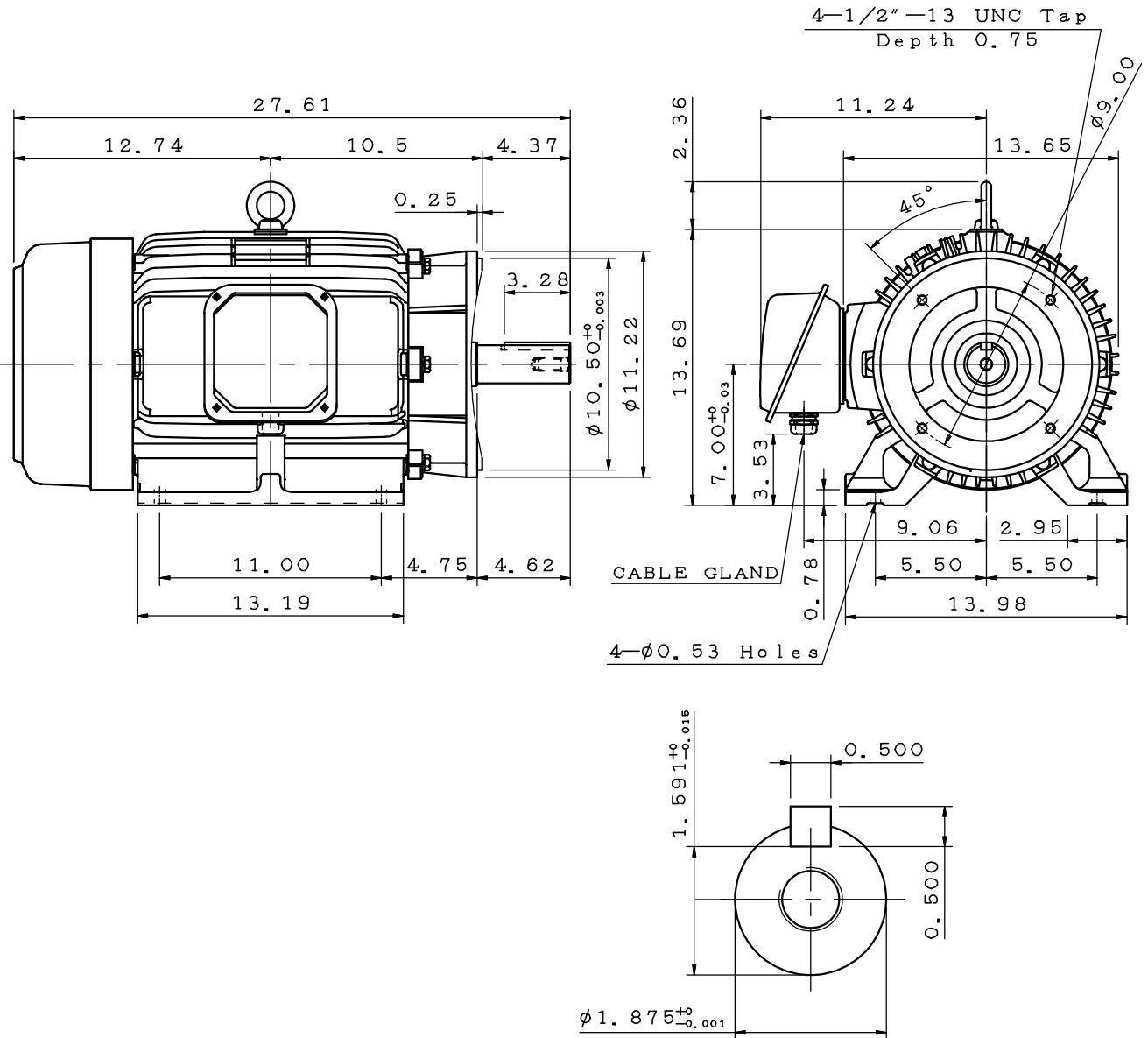
DATE June 11, 2020

PERMANENT MAGNET MOTOR

FRAME NO. 286TC

Pole	HP	kW	Hz	VOLT	r/min(rpm)
6	30	22	60	230/460	1800

Ins	Rating	Dimension in	Approx Weight	Bearings
F	CONT.	inch	326.0 lbs	DE:6311ZZ NDE:6310ZZ



Note:

1. IP55 Protection.
2. Indoor Service.
3. CABLE GLAND(PF1 1/2" )  
SUITABLE FOR RANGE  
φ1.22~φ1.61

PMTWMC20200601-01-00

◇	.		.
---	---	--	---

DWG.	梁志豪	06.02.20
CHKD.	梁志豪	06.04.20
APPD.	王祈欣	06.04.20

**TECO**®Westinghouse

DWG NO.  
31057M047100