

**TECO** Westinghouse

OUTLINE DIMENSIONS

MOTOR TYPE:  
DVHM--NF01K0LA010

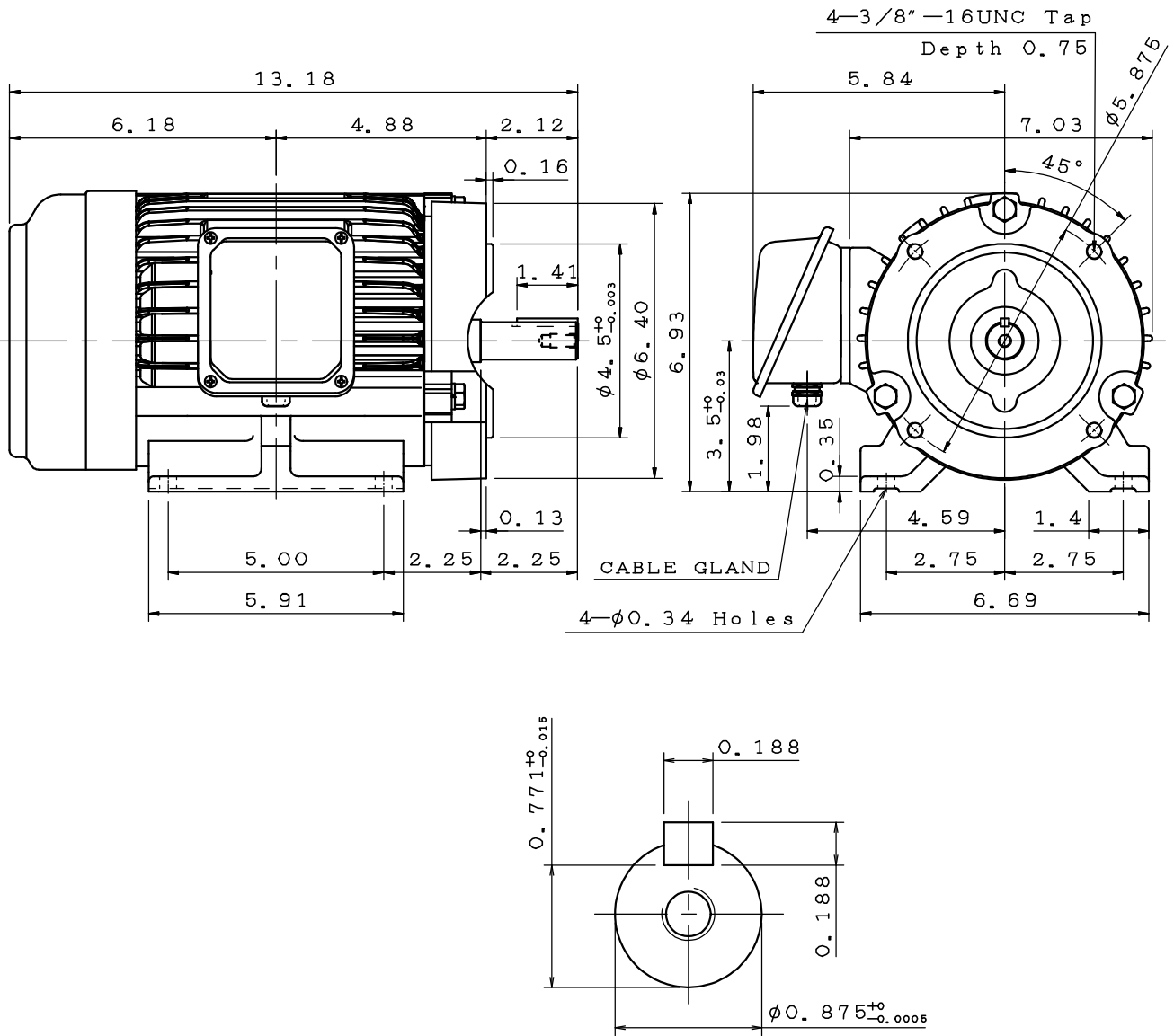
DATE June 11, 2020

PERMANENT MAGNET MOTOR

FRAME NO. 145TC

Pole	HP	kW	Hz	VOLT	r/min(rpm)
6	1.5	1.1	60	230/460	1800

Ins	Rating	Dimension in	Approx Weight	Bearings
F	CONT.	inch	46.0 lbs	DE: 6205ZZ NDE: 6205ZZ



Note:

1. IP55 Protection.
2. Indoor Service.
3. CABLE GLAND(PF1/2" )  
SUITABLE FOR RANGE  
φ0.27~φ0.47

PMTWMC20200601-01-00

◇	.	.
---	---	---

DWG.	梁志豪	06.02.20
CHKD.	梁志豪	06.04.20
APPD.	王祈欣	06.04.20

**TECO** Westinghouse

DWG NO.  
31049R316110