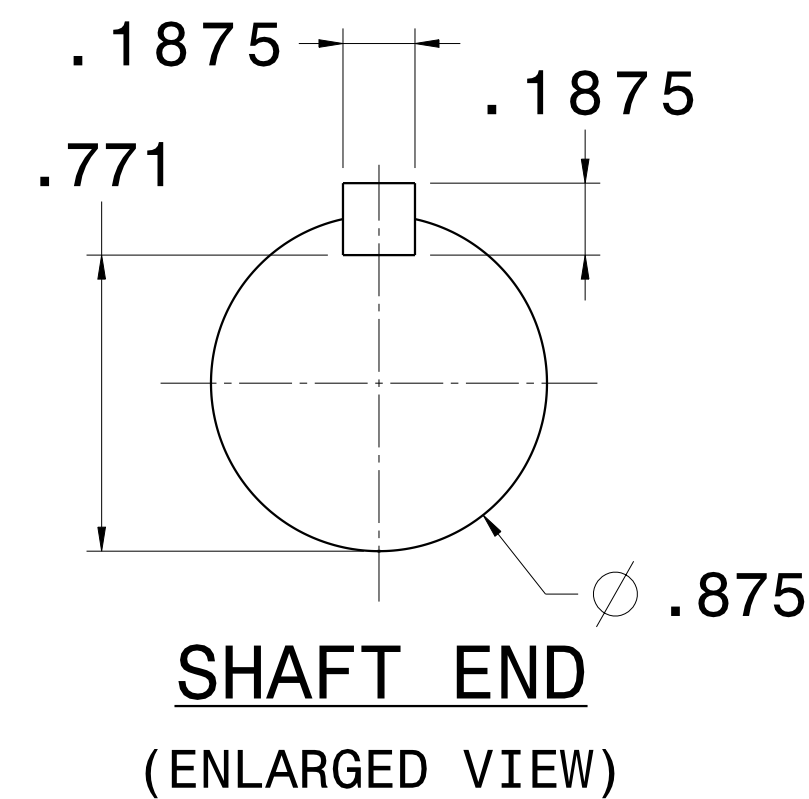
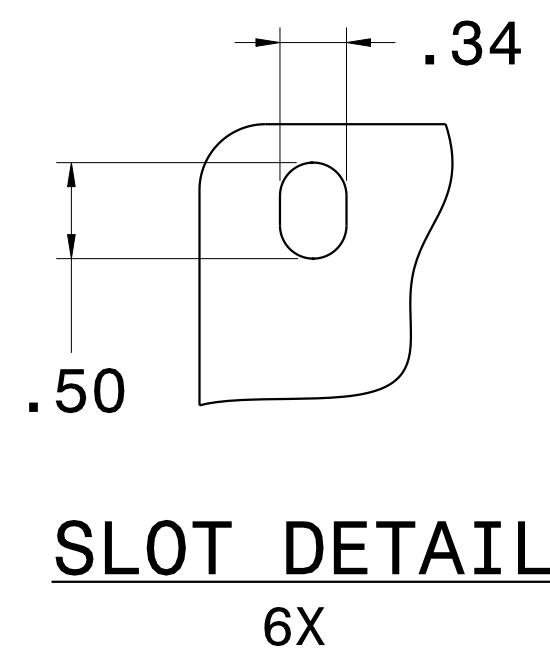
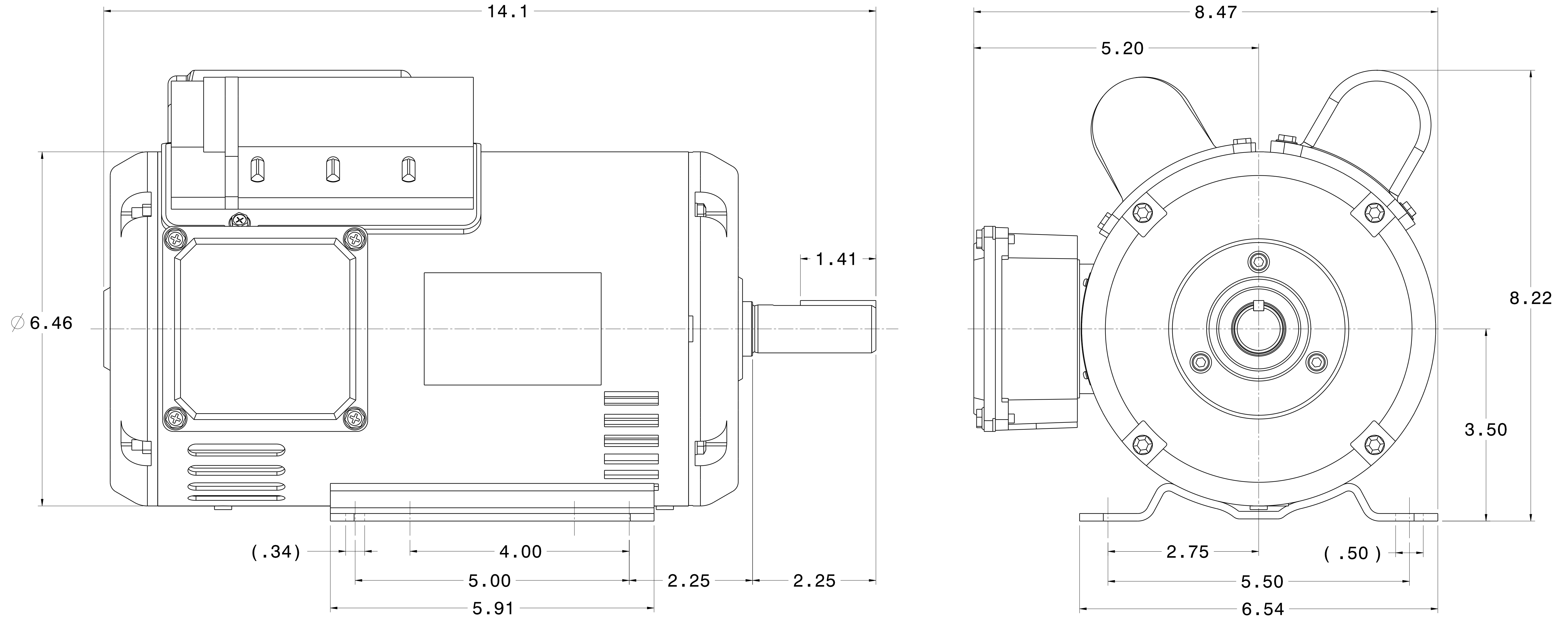


CATALOG #	TYPE	FRAME	OUTPUT		POLE	SYN. SPEED R.P.M.	VOLTAGE V.	Hz.	TIME RATING	INSULATION CLASS	SERVICE FACTOR	BEARINGS		WEIGHT LBS
			HP	KW								DE	NDE	
SP1/52	BSGS39	143T	1.5	1.12	2	3600	115/208-230	60	CONT.	F	1.15	6205ZZ	6203ZZ	42

OPEN DRIP PROOF, SQUIRREL CAGE ROTOR



NOTES:

1. DIMENSIONS IN INCH.
2. ENCLOSURE: IP22.
3. FOR BELT SERVICE OR DIRECT COUPLING SERVICE.
4. BI-DIRECTIONAL ROTATION.

REF: 39021R50KF10B	REV. DATA		REV NO	
	TECO Westinghouse		01	
	HVAC SINGLE PHASE OUTLINE DIMENSIONS		DWG NO. SP1/52	
	DWN K. MILNER	091417	APPD T. FELPS	091417
TECO-WESTINGHOUSE MOTOR COMPANY		ROUND ROCK, TEXAS USA		