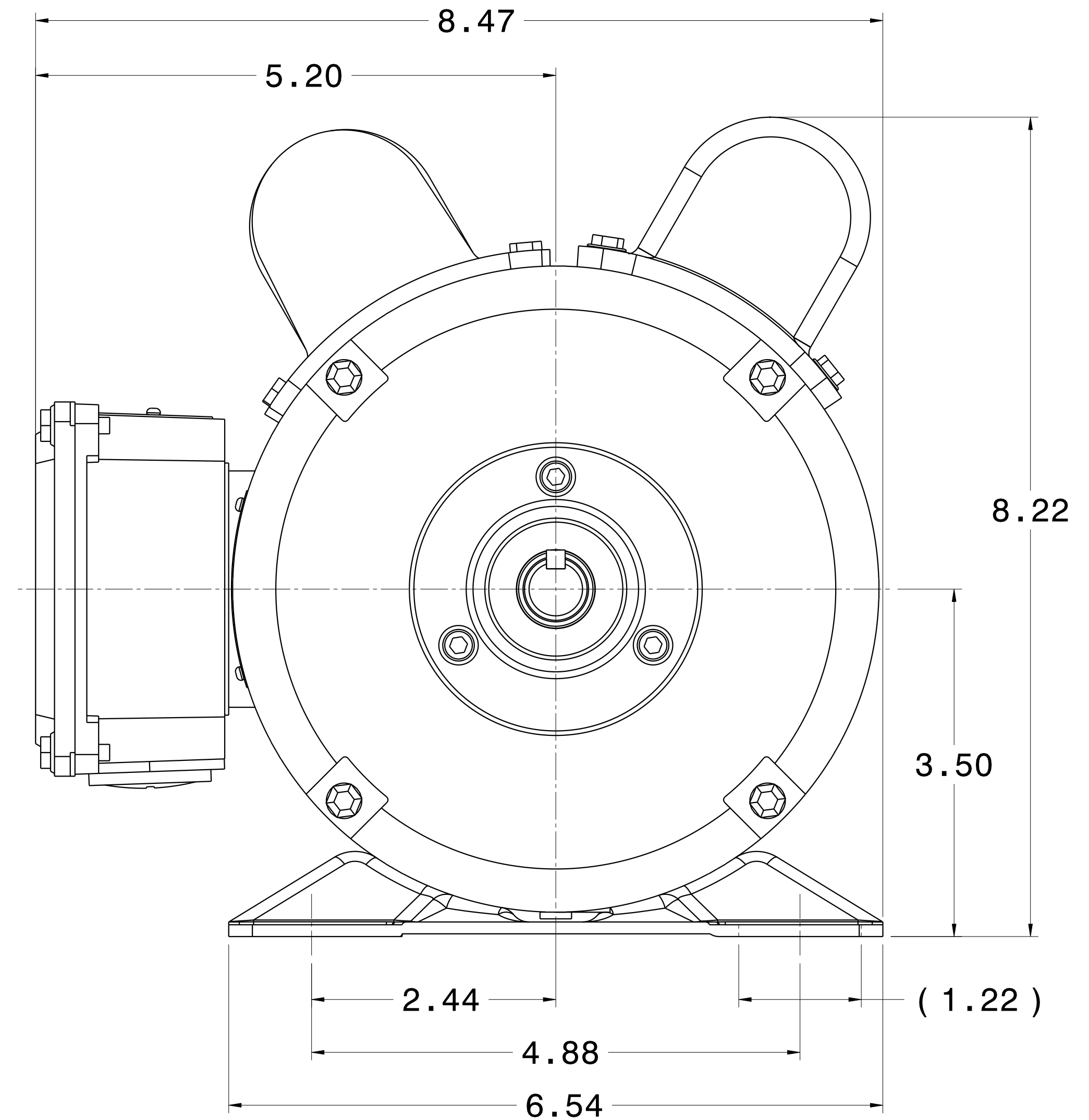
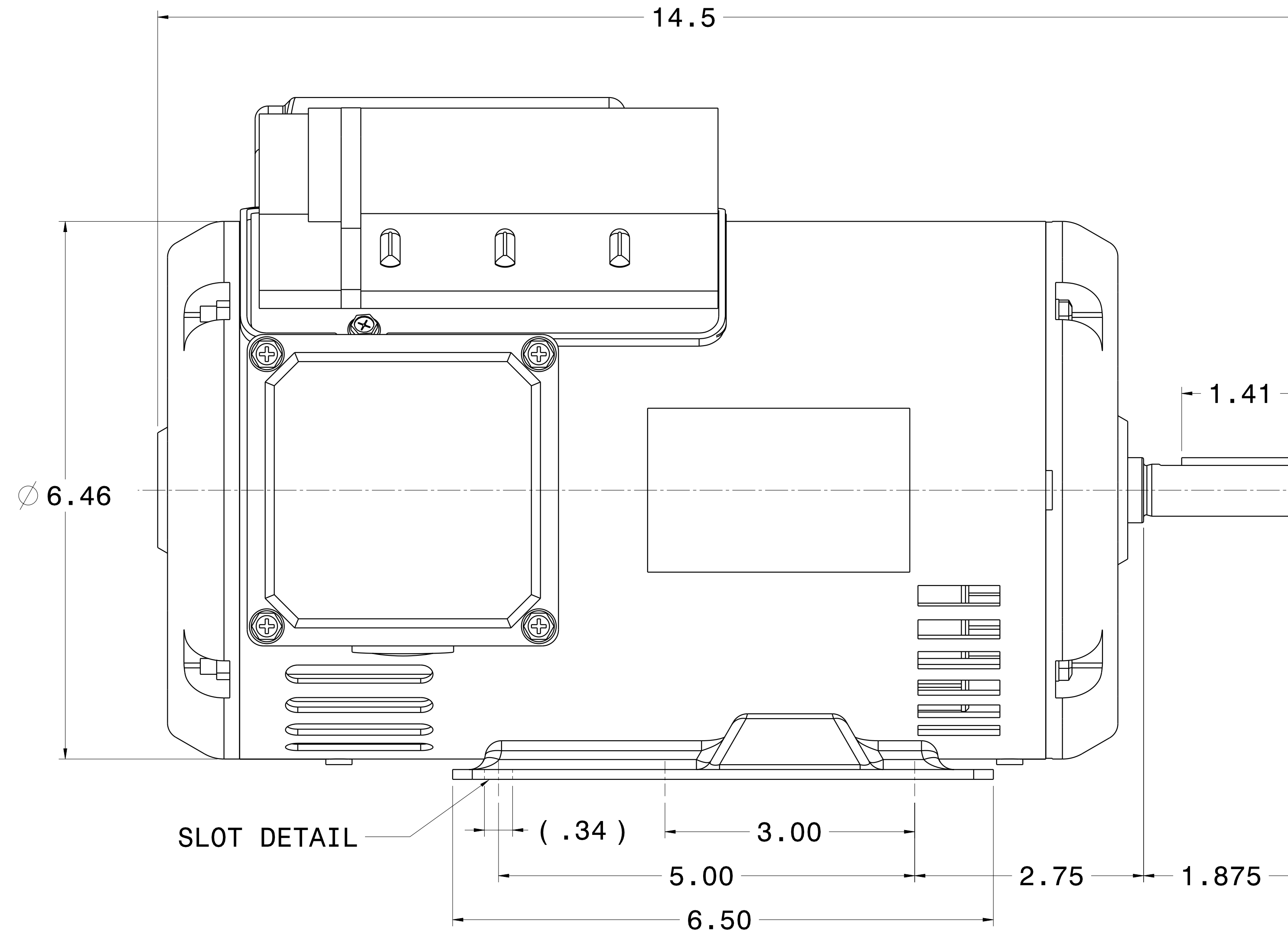
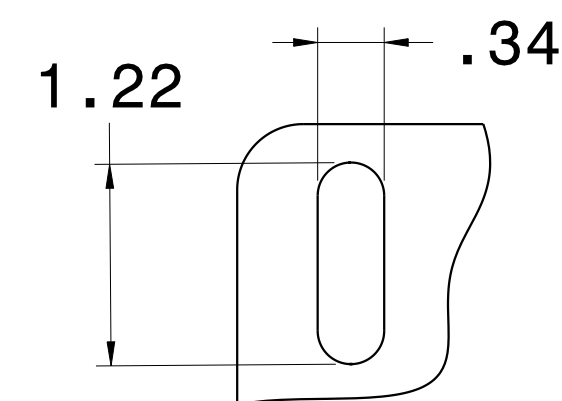


CATALOG #	TYPE	FRAME	OUTPUT		POLE	SYN. SPEED R.P.M.	VOLTAGE V.	Hz.	TIME RATING	INSULATION CLASS	SERVICE FACTOR	BEARINGS		WEIGHT LBS
			HP	KW								DE	NDE	
SPH0032	BSGS39	56H	3	2.2	2	3600	208-230	60	CONT.	F	1.15	6204ZZ	6203ZZ	55

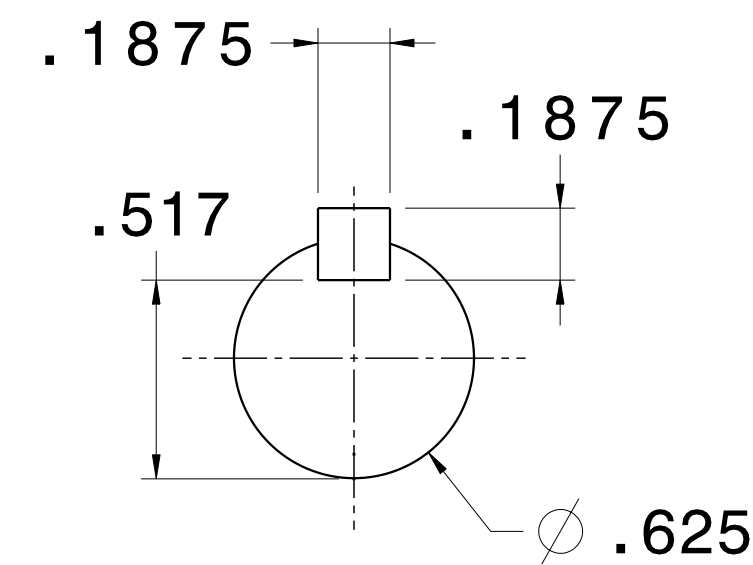
OPEN DRIP PROOF, SQUIRREL CAGE ROTOR



SLOT DETAIL



SLOT DETAIL
6X



SHAFT END
(ENLARGED VIEW)

NOTES:

1. DIMENSIONS IN INCH.
2. ENCLOSURE: IP22.
3. FOR BELT SERVICE OR DIRECT COUPLING SERVICE.
4. BI-DIRECTIONAL ROTATION.

REF: 39020003GE10A	REV. DATA		REV. NO. 01		
	TECO Westinghouse			DWG. NO. SPH0032	
	HVAC SINGLE PHASE OUTLINE DIMENSIONS		TECO-WESTINGHOUSE MOTOR COMPANY		
	DWN K. MILNER		091417 APPD T. FELPS		091417
TECO-WESTINGHOUSE MOTOR COMPANY			ROUND ROCK, TEXAS USA		