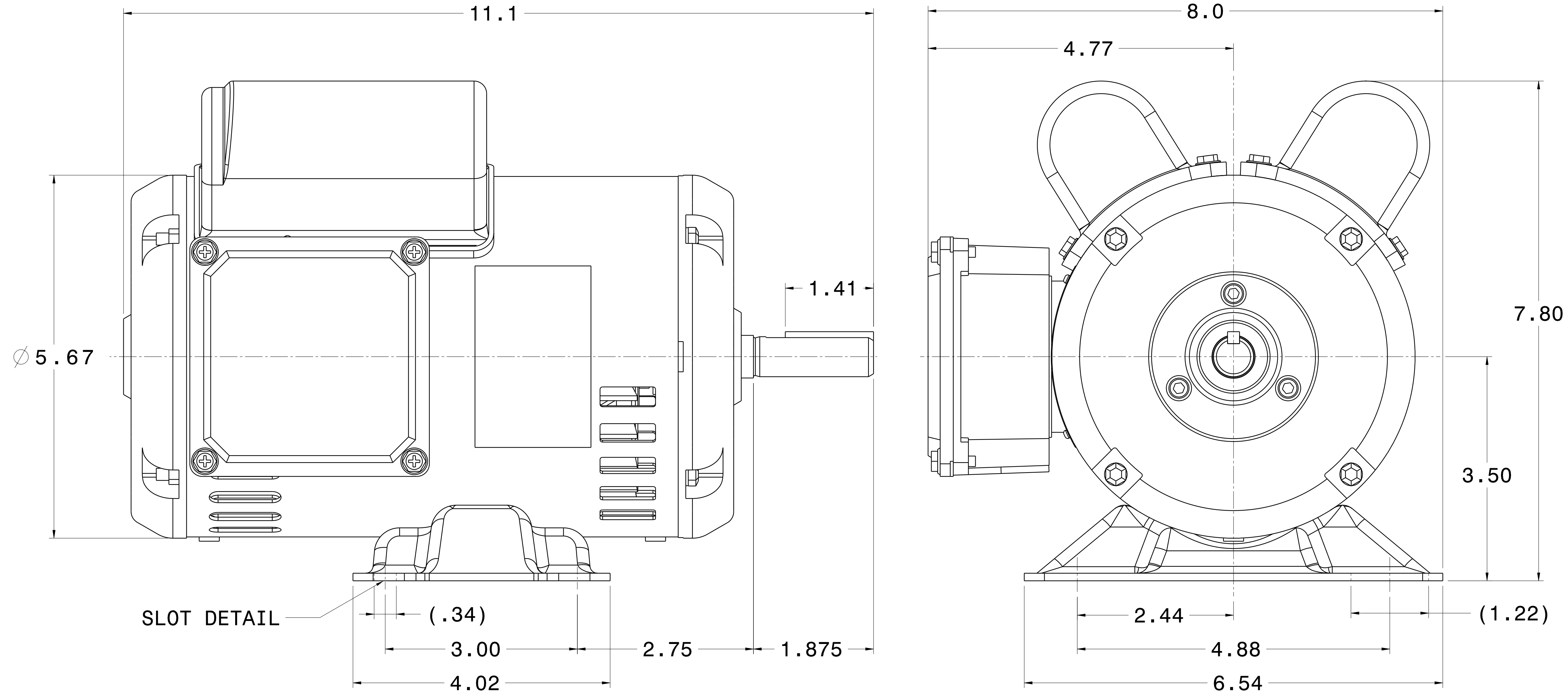
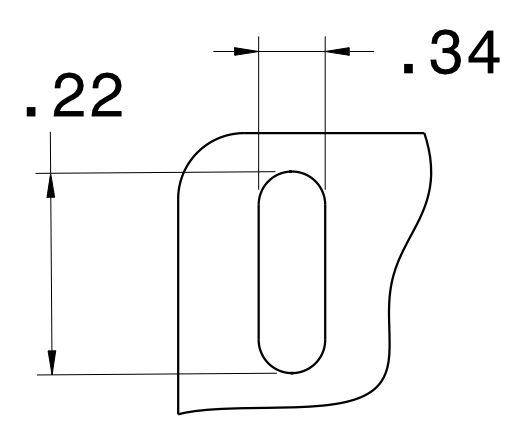


CATALOG #	TYPE	FRAME	OUTPUT		POLE	SYN. SPEED R.P.M.	VOLTAGE V.	Hz.	TIME RATING	INSULATION CLASS	SERVICE FACTOR	BEARINGS		WEIGHT LBS
			HP	KW								DE	NDE	
SPH0/32	BSGS39	56	1/3	.25	2	3600	115/208-230	60	CONT.	F	1.15	6203ZZ	6202ZZ	26

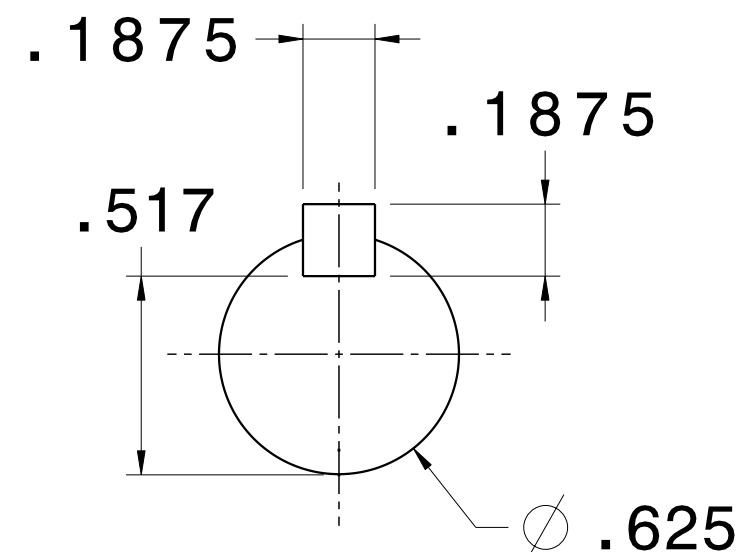
OPEN DRIP PROOF, SQUIRREL CAGE ROTOR



SLOT DETAIL



SLOT DETAIL
4X



SHAFT END
(ENLARGED VIEW)

- NOTES:
1. DIMENSIONS IN INCH.
 2. ENCLOSURE: IP22.
 3. FOR BELT SERVICE OR DIRECT COUPLING SERVICE.
 4. BI-DIRECTIONAL ROTATION.

REF: 3902R33KF10B	REV. DATA			
				REV NO 01
	HVAC SINGLE PHASE OUTLINE DIMENSIONS		DWG NO. SPH0/32	
	DWN K. MILNER	091417	APPD T. FELPS	091417
TECO-WESTINGHOUSE MOTOR COMPANY				ROUND ROCK, TEXAS USA