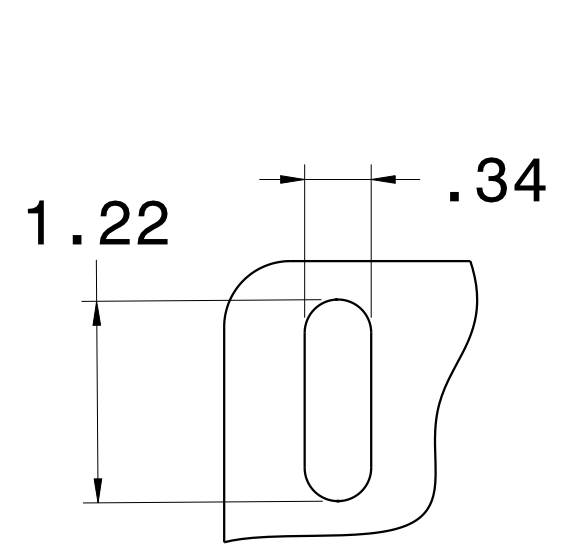
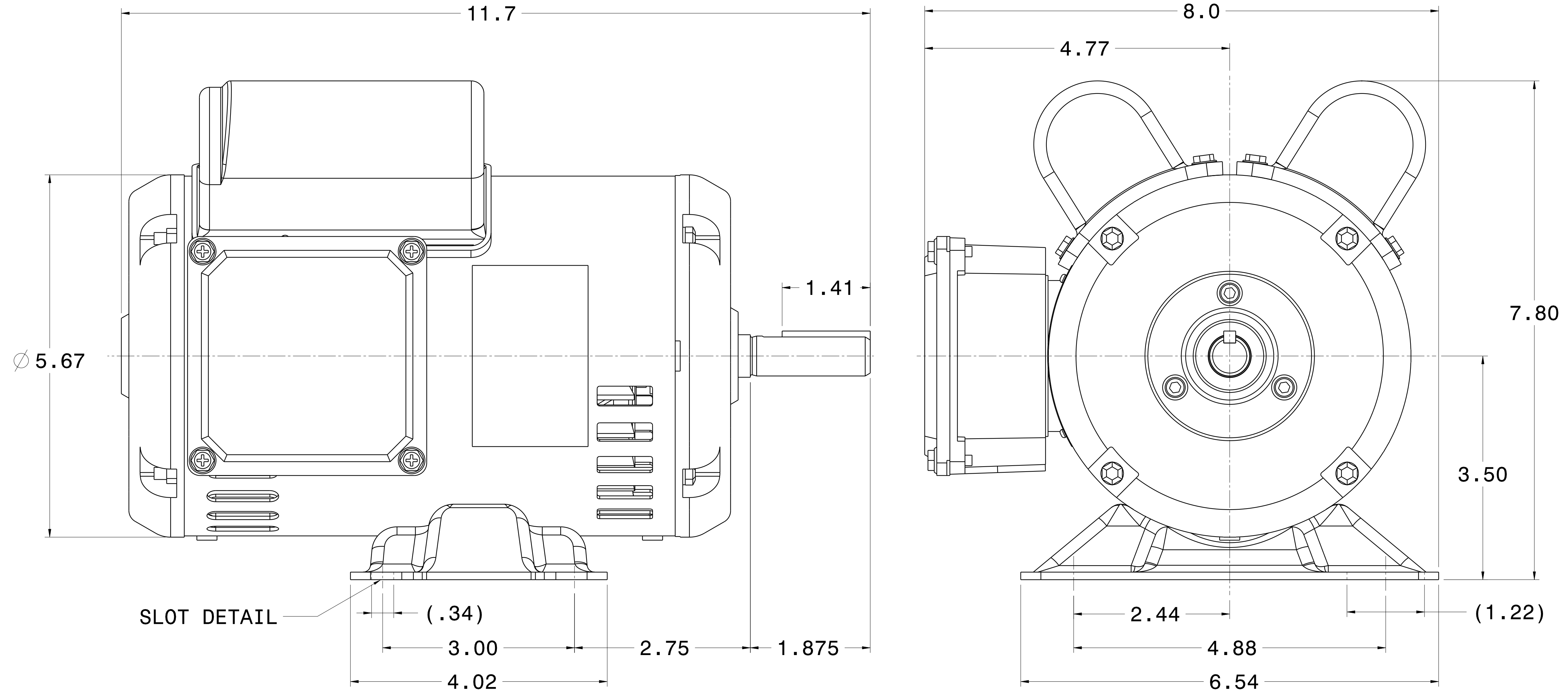
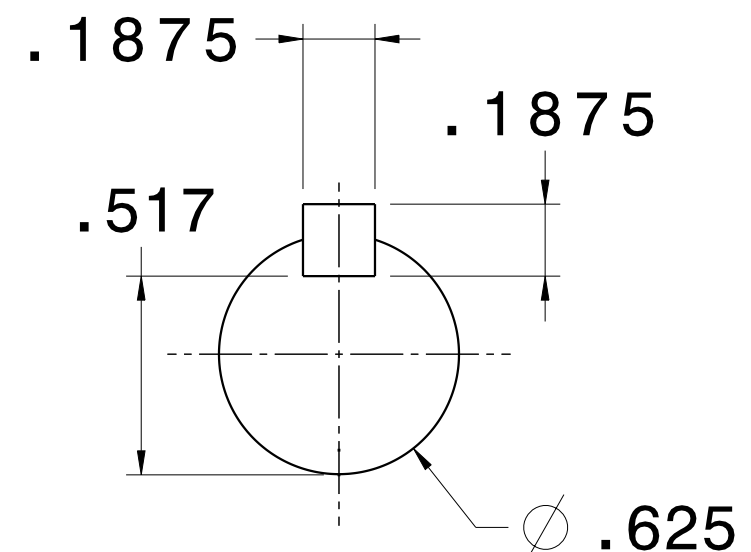


| CATALOG # | TYPE   | FRAME | OUTPUT |     | POLE | SYN. SPEED R.P.M. | VOLTAGE V.  | Hz. | TIME RATING | INSULATION CLASS | SERVICE FACTOR | BEARINGS |        | WEIGHT LBS |
|-----------|--------|-------|--------|-----|------|-------------------|-------------|-----|-------------|------------------|----------------|----------|--------|------------|
|           |        |       | HP     | KW  |      |                   |             |     |             |                  |                | DE       | NDE    |            |
| SPH0/34   | BSGS39 | 56    | 1/3    | .25 | 4    | 1800              | 115/208-230 | 60  | CONT.       | F                | 1.15           | 6203ZZ   | 6202ZZ | 31         |

OPEN DRIP PROOF, SQUIRREL CAGE ROTOR



**SLOT DETAIL**  
4X



**SHAFT END**  
(ENLARGED VIEW)

- NOTES:
1. DIMENSIONS IN INCH.
  2. ENCLOSURE: IP22.
  3. FOR BELT SERVICE OR DIRECT COUPLING SERVICE.
  4. BI-DIRECTIONAL ROTATION.

|                                 |   |                   |                    |
|---------------------------------|---|-------------------|--------------------|
| REF: 3904R33KF10B               | REV. DATA                               |                   | REV NO             |
|                                 | TECO Westinghouse                       |                   | 01                 |
|                                 | HVAC SINGLE PHASE<br>OUTLINE DIMENSIONS |                   | DWG NO.<br>SPH0/34 |
|                                 | DWN K. MILNER                           | 091417            | APPD T. FELPS      |
| TECO-WESTINGHOUSE MOTOR COMPANY |   | ROUND ROCK, TEXAS | USA                |