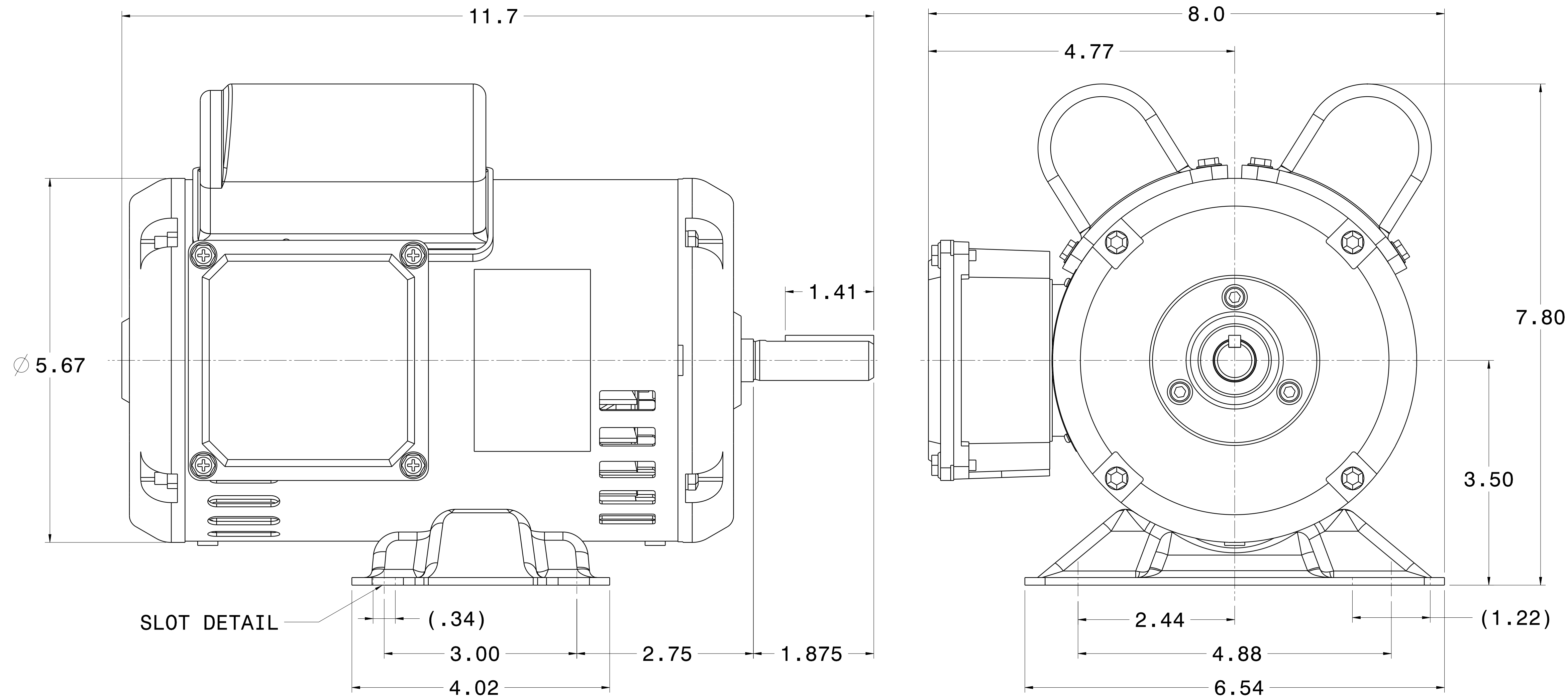
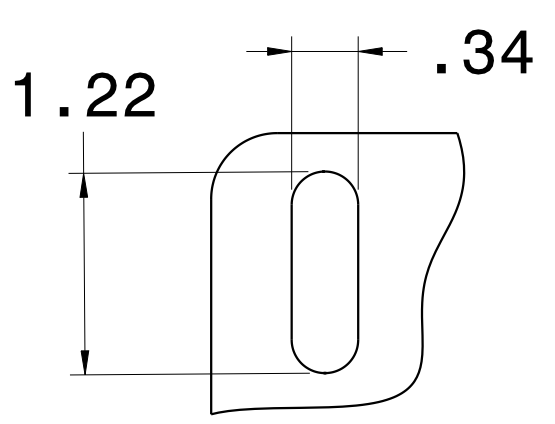


CATALOG #	TYPE	FRAME	OUTPUT		POLE	SYN. SPEED R.P.M.	VOLTAGE V.	Hz.	TIME RATING	INSULATION CLASS	SERVICE FACTOR	BEARINGS		WEIGHT LBS
			HP	KW								DE	NDE	
SPH0/52	BSGS39	56	1/2	.37	2	3600	115/208-230	60	CONT.	F	1.15	6203ZZ	6202ZZ	29

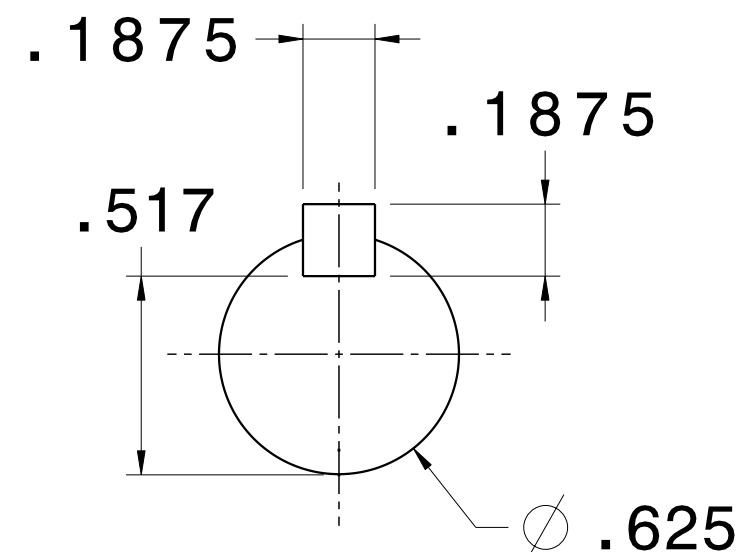
OPEN DRIP PROOF, SQUIRREL CAGE ROTOR



SLOT DETAIL



**SLOT DETAIL**  
4X



**SHAFT END**  
(ENLARGED VIEW)

- NOTES:
1. DIMENSIONS IN INCH.
  2. ENCLOSURE: IP22.
  3. FOR BELT SERVICE OR DIRECT COUPLING SERVICE.
  4. BI-DIRECTIONAL ROTATION.

REF: 3902R500KF10B	REV. DATA		REV NO	
	TECO Westinghouse		01	
	HVAC SINGLE PHASE OUTLINE DIMENSIONS		DWG NO. SPH0/52	
	DWN K. MILNER	091417	APPD T. FELPS	091417
TECO-WESTINGHOUSE MOTOR COMPANY		ROUND ROCK, TEXAS USA		