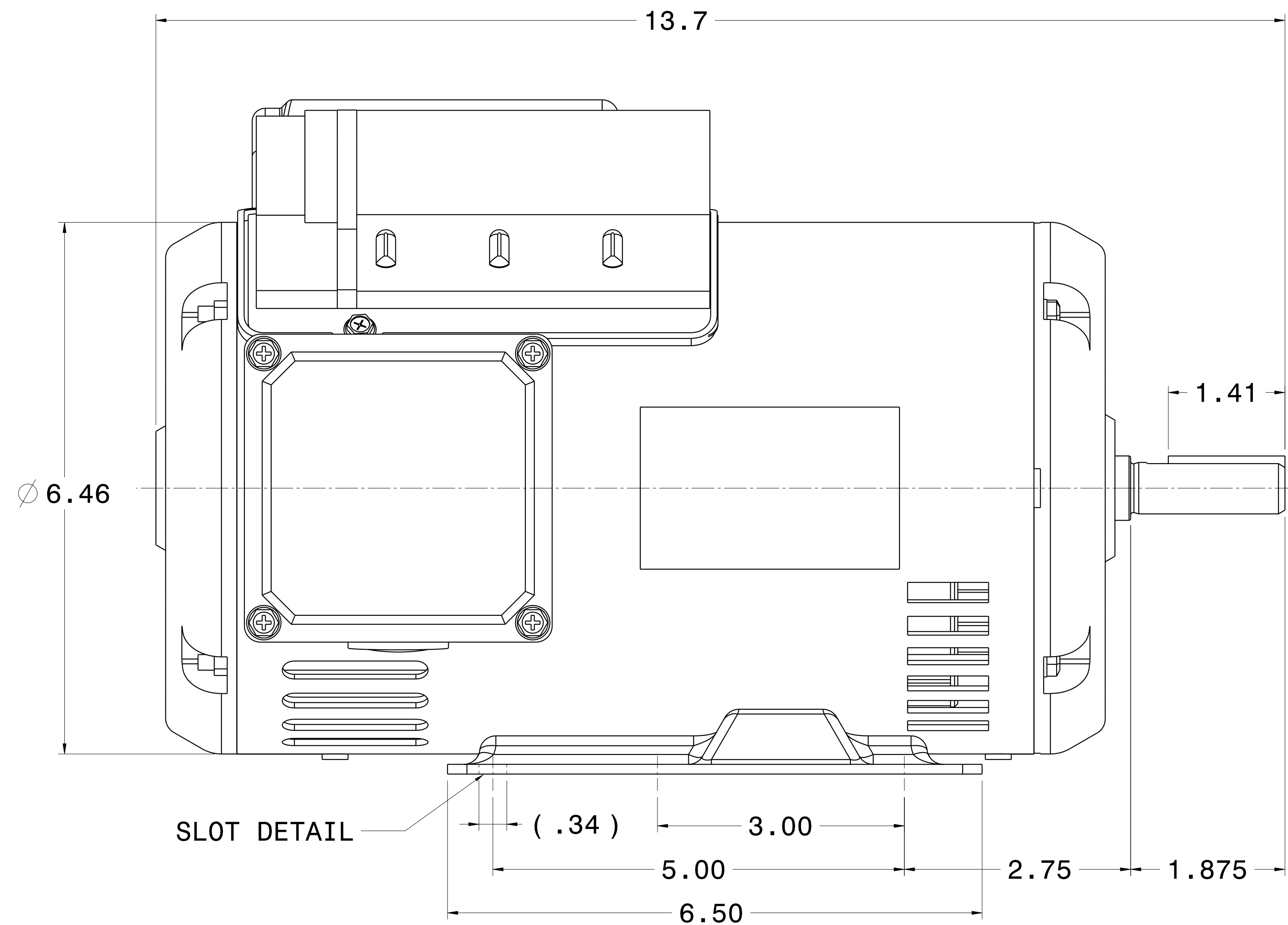
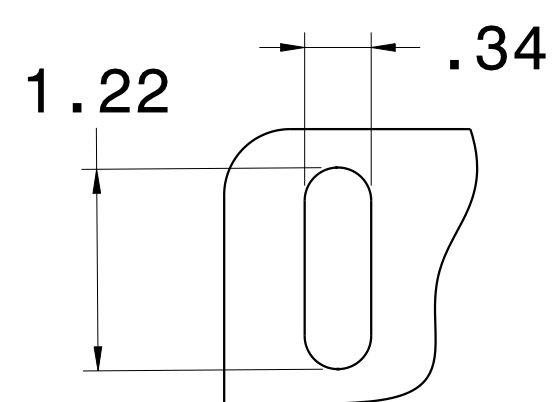


CATALOG #	TYPE	FRAME	OUTPUT		POLE	SYN. SPEED R.P.M.	VOLTAGE V.	Hz.	TIME RATING	INSULATION CLASS	SERVICE FACTOR	BEARINGS		WEIGHT LBS
			HP	KW								DE	NDE	
SPH1/52	BSGS39	56H	1.5	1.1	2	3600	115/208-230	60	CONT.	F	1.15	6204ZZ	6203ZZ	42

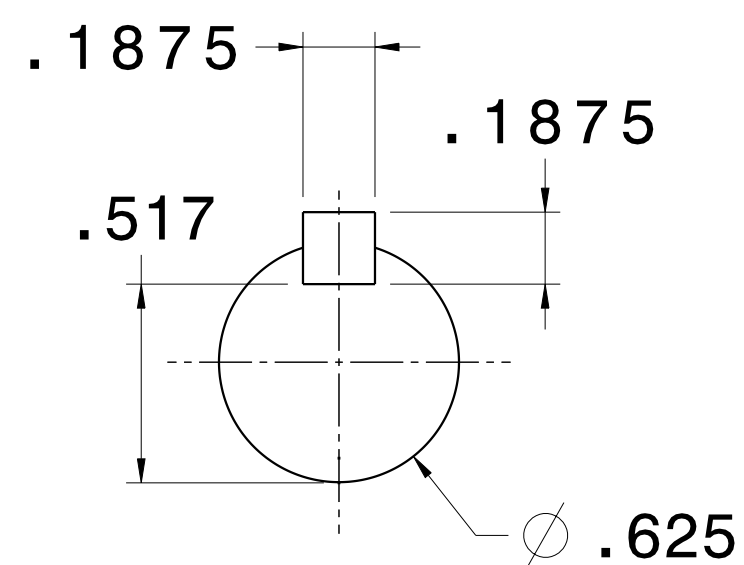
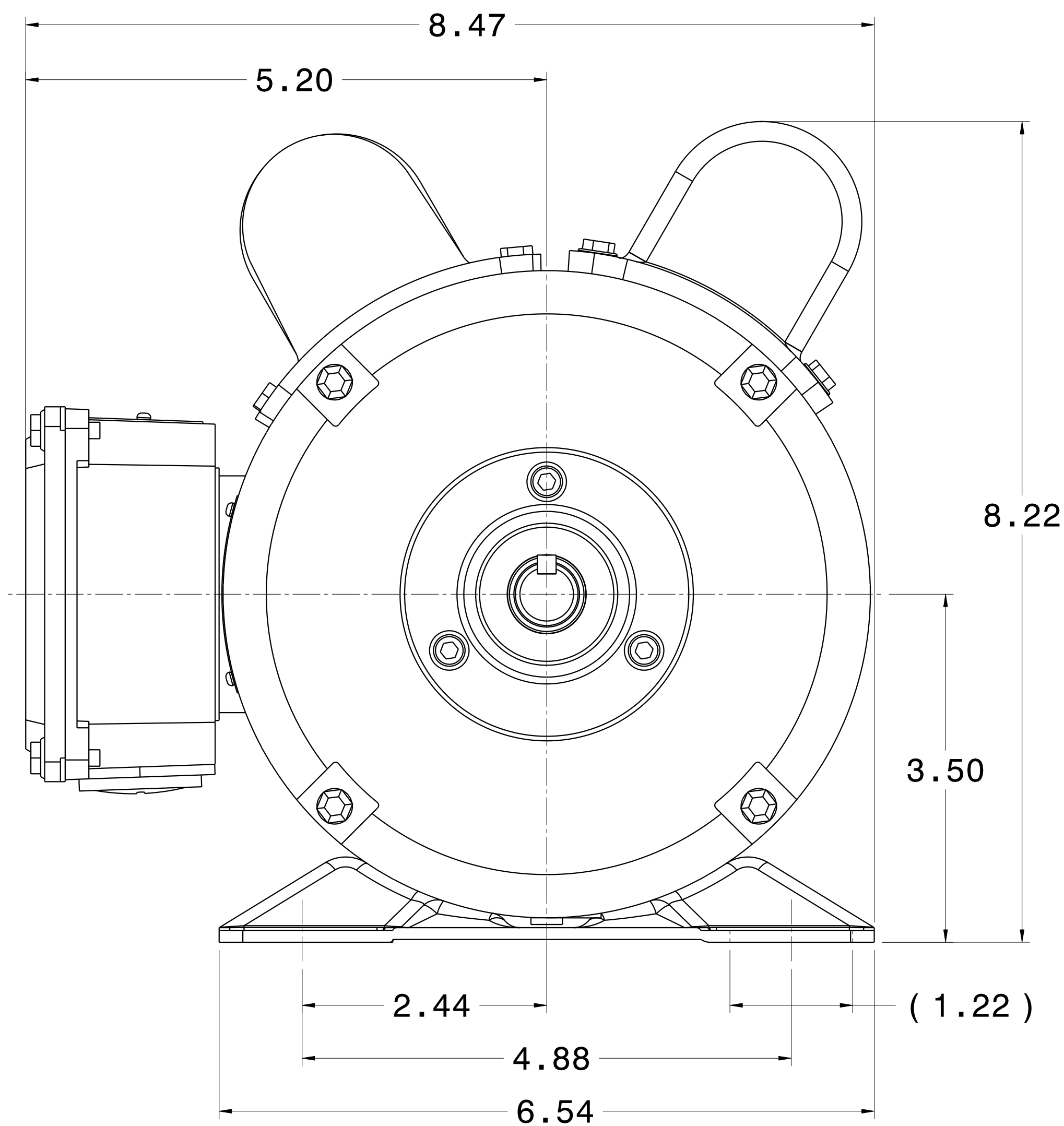
OPEN DRIP PROOF, SQUIRREL CAGE ROTOR



SLOT DETAIL



**SLOT DETAIL**  
6X



**SHAFT END**  
(ENLARGED VIEW)

NOTES:

1. DIMENSIONS IN INCH.
2. ENCLOSURE: IP22.
3. FOR BELT SERVICE OR DIRECT COUPLING SERVICE.
4. BI-DIRECTIONAL ROTATION.

REF: 39021R50KF10A	REV. DATA			REV NO
	TECO Westinghouse			01
	HVAC SINGLE PHASE OUTLINE DIMENSIONS		DWG NO. SPH1/52	
	DWN K. MILNER	091417	APPD T. FELPS	091417
TECO-WESTINGHOUSE MOTOR COMPANY			ROUND ROCK, TEXAS USA	