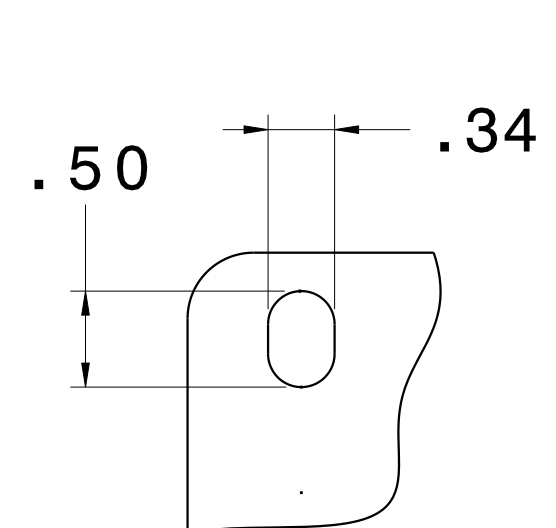
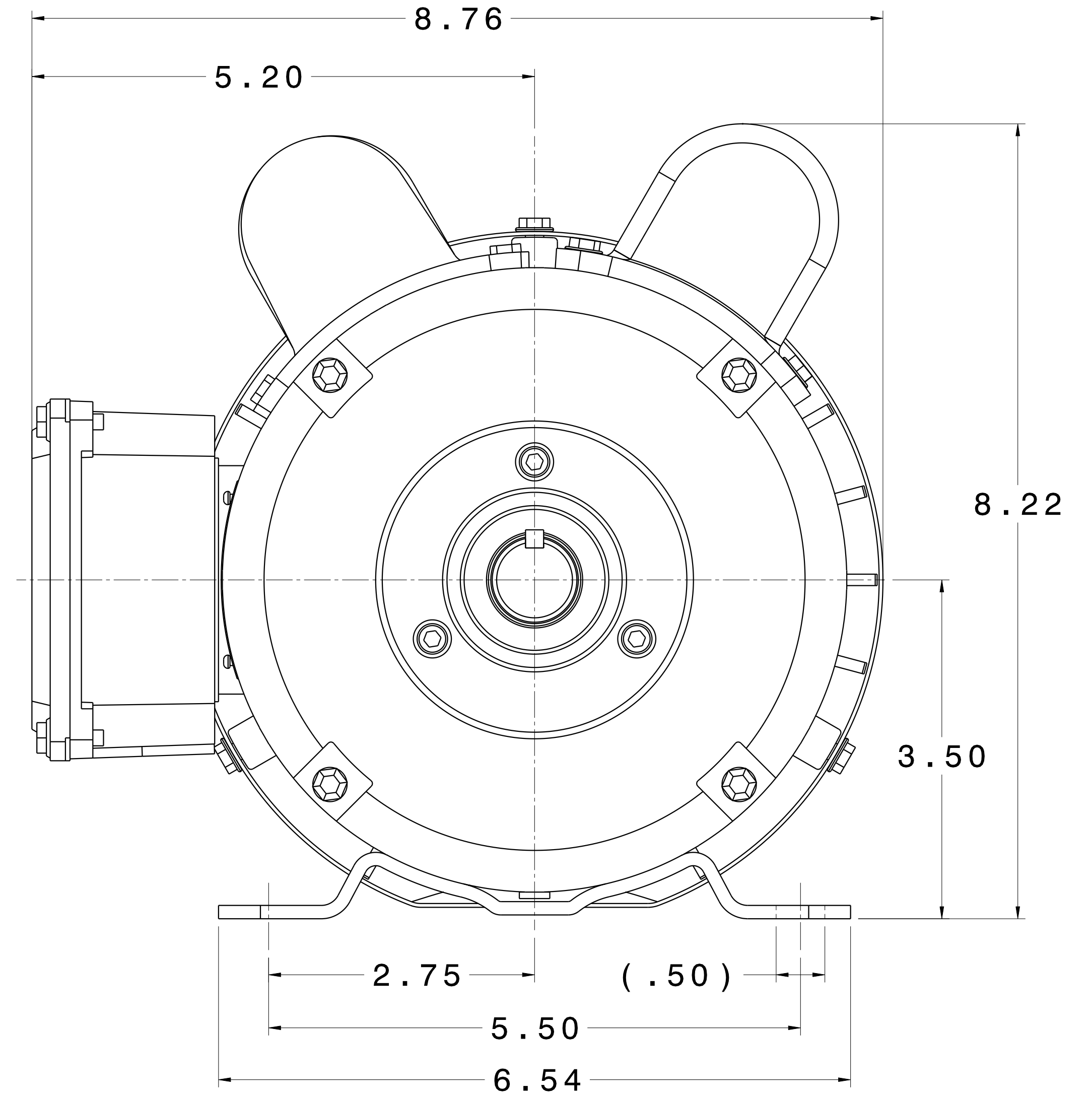
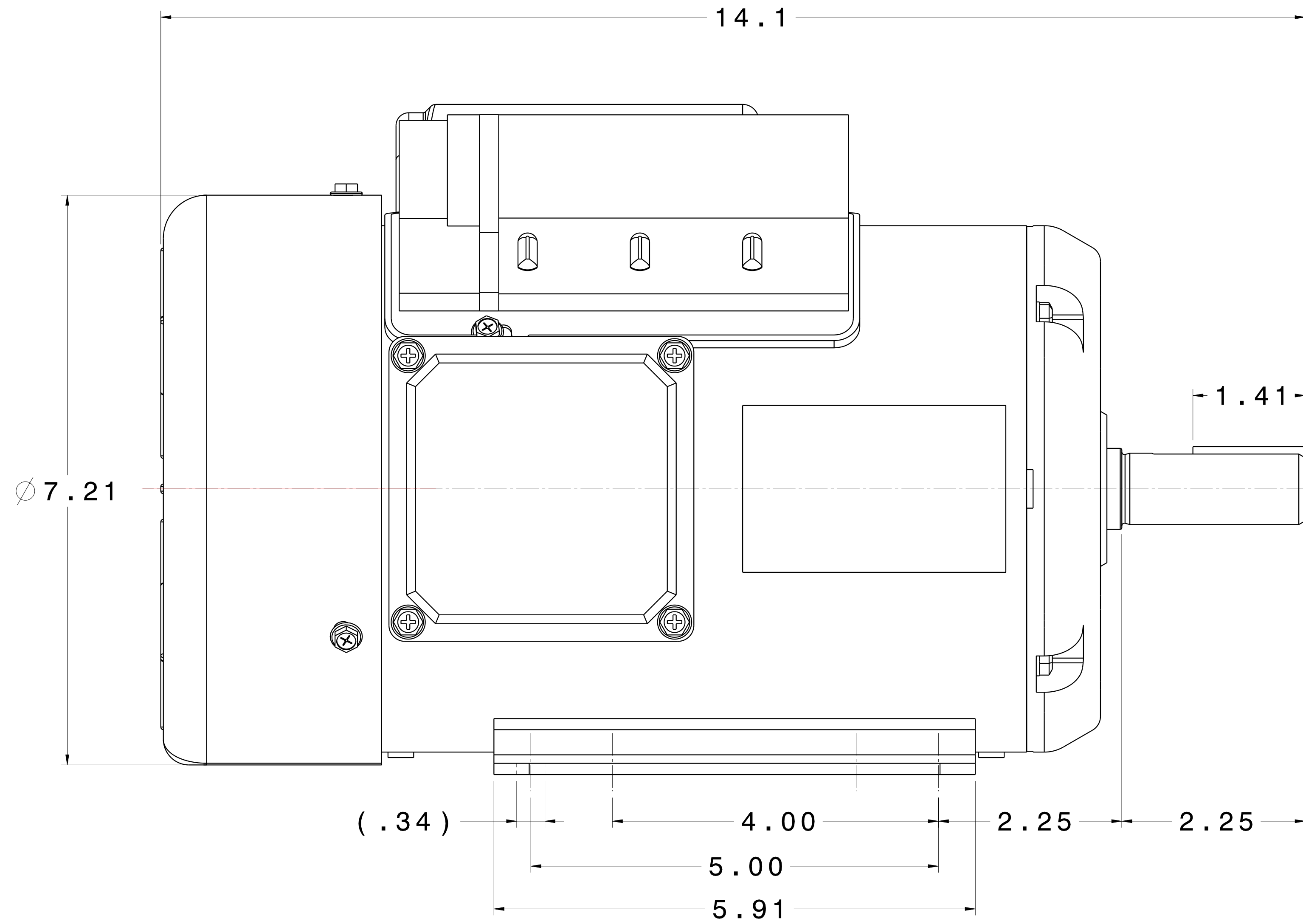
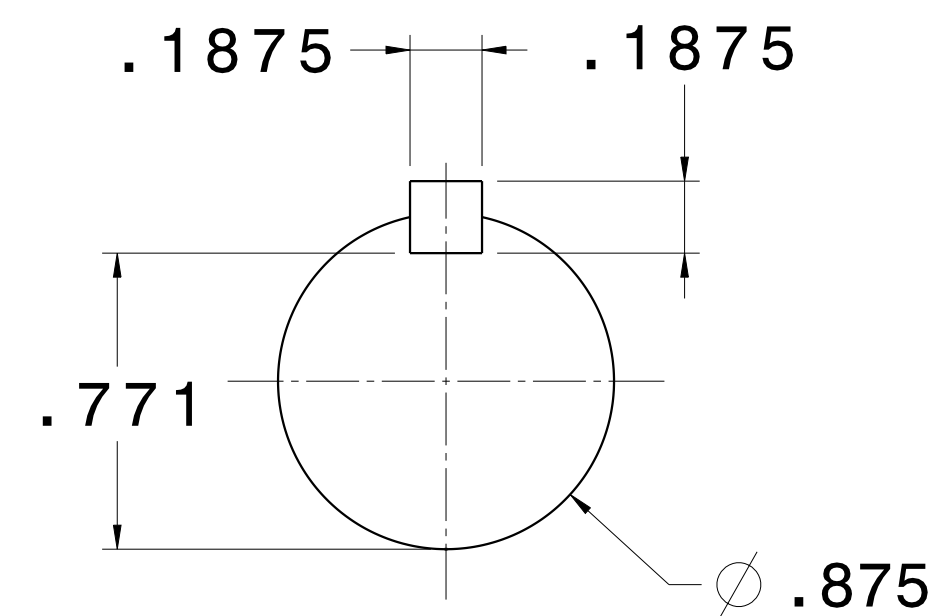


CATALOG #	TYPE	FRAME	OUTPUT		POLE	SYN. SPEED R.P.M.	VOLTAGE V.	Hz.	TIME RATING	INSULATION CLASS	SERVICE FACTOR	BEARINGS		WEIGHT LBS
			HP	KW								DE	NDE	
SPT0022	BEGS39	145T	2	1.5	2	3600	115/208-230	60	CONT.	F	1.15	6205ZZ	6203ZZ	45

TOTALLY ENCLOSED FAN-COOLED TYPE, SQUIRREL-CAGE ROTOR



SLOT DETAIL



**SHAFT END
(ENLARGED VIEW)**

NOTES:

1. DIMENSIONS IN INCH.
2. ENCLOSURE: IP44.
3. FOR BELT SERVICE OR DIRECT COUPLING SERVICE.
4. BI-DIRECTIONAL ROTATION.

REF: 39020002KF10B	REV. DATA		REV NO 01		
	TECO Westinghouse			DWG NO. SPT0022	
	HVAC SINGLE PHASE OUTLINE DIMENSIONS		TECO-WESTINGHOUSE MOTOR COMPANY		
	DWN K. MILNER	090617	APPD T. FELPS	090617	
TECO-WESTINGHOUSE MOTOR COMPANY			ROUND ROCK, TEXAS USA		