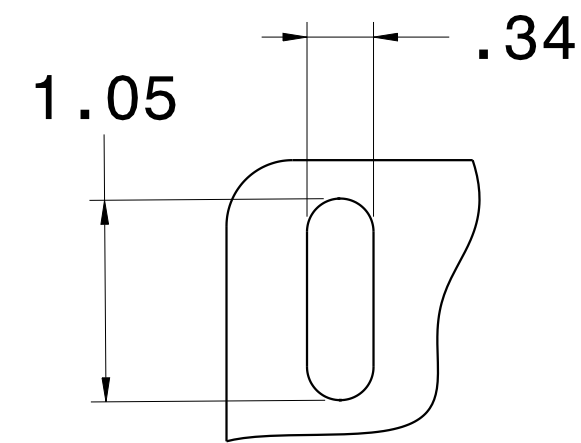
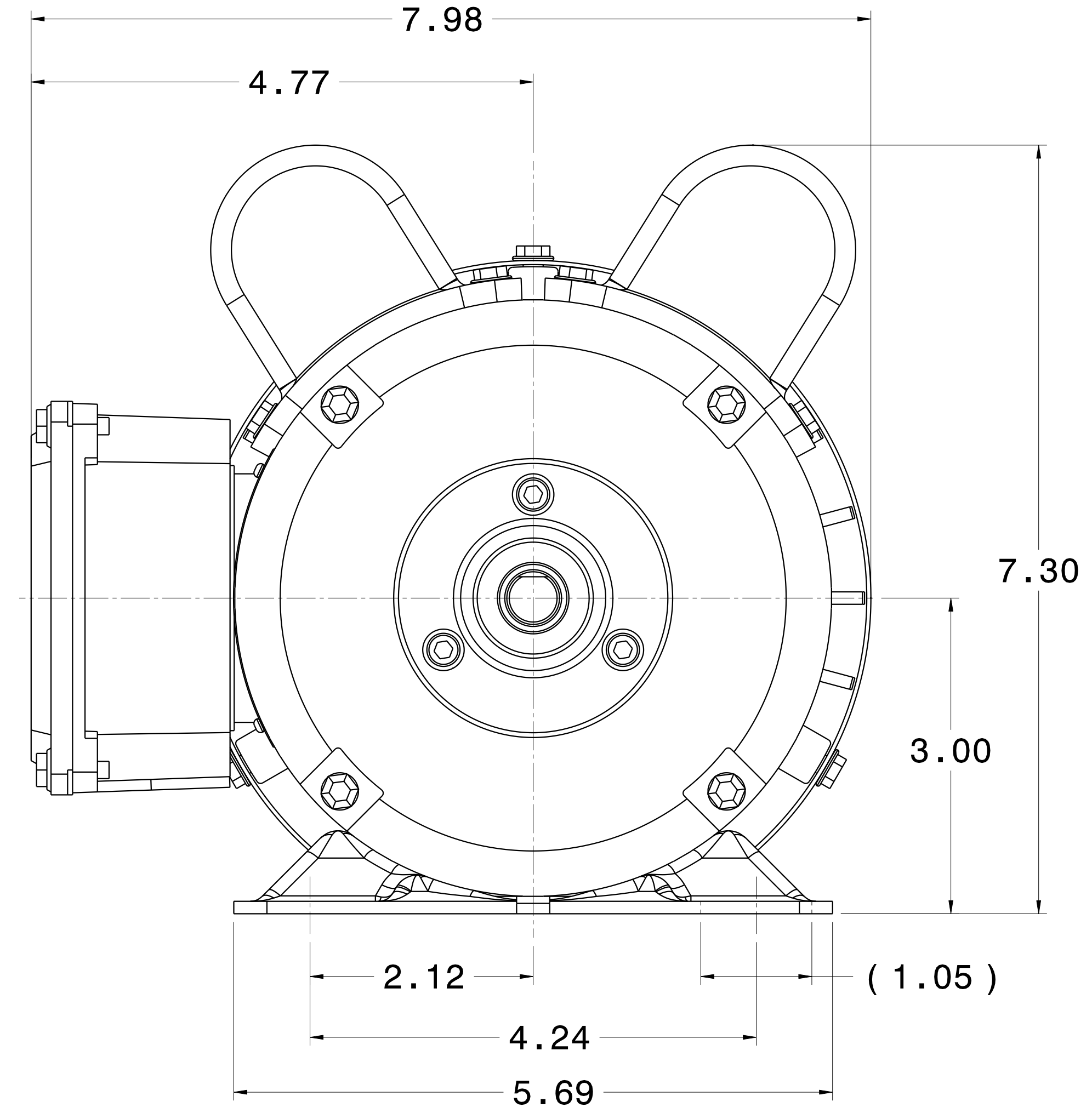
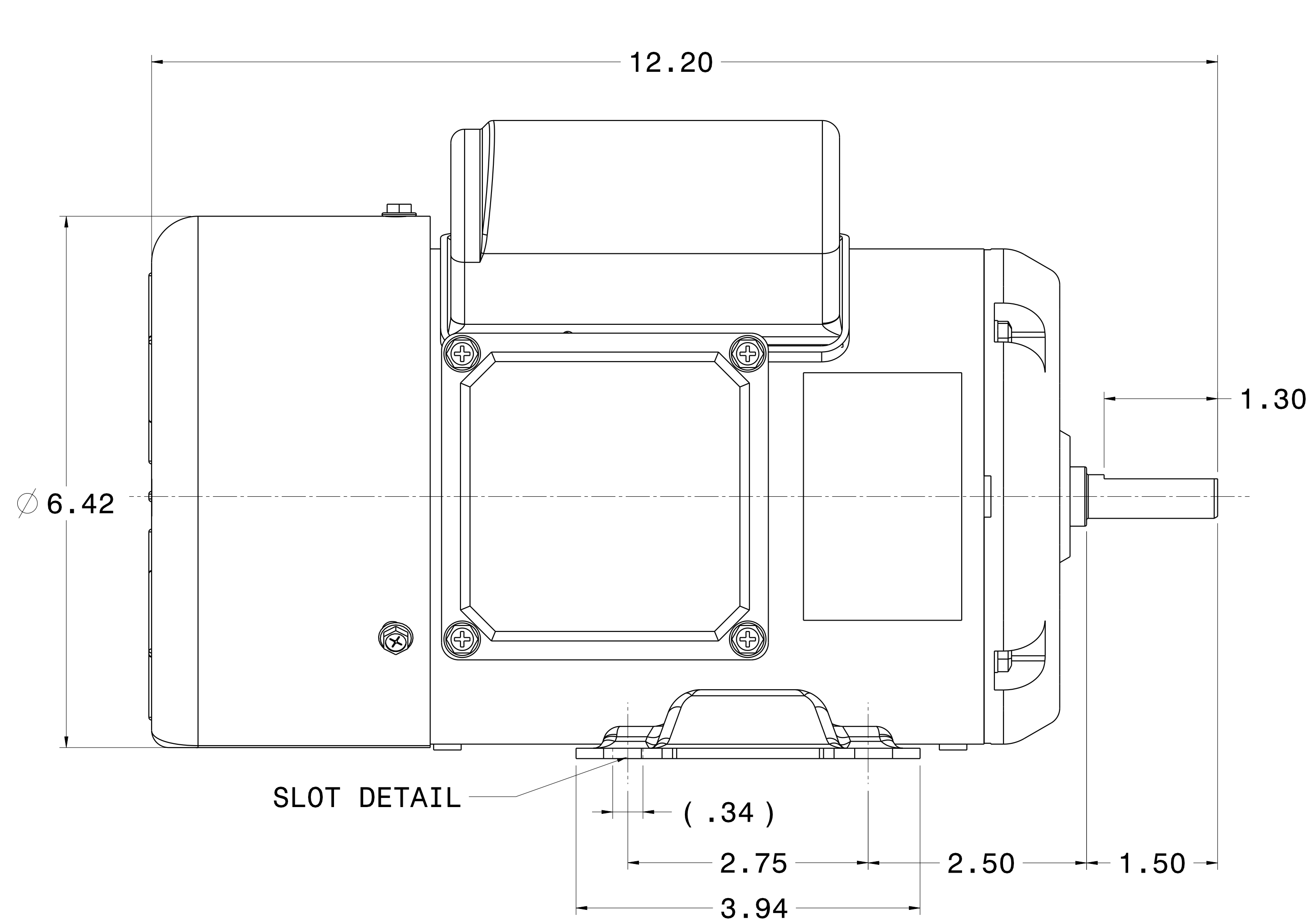
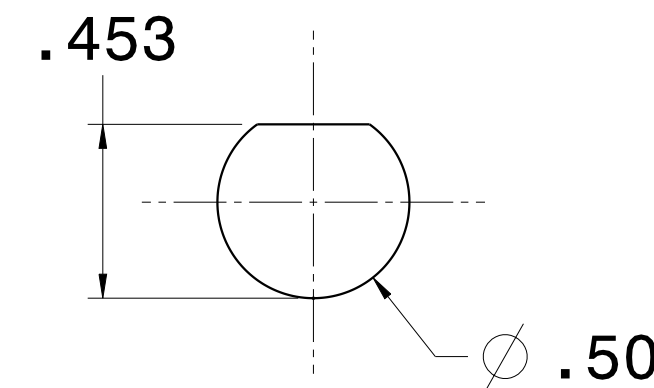


CATALOG #	TYPE	FRAME	OUTPUT		POLE	SYN. SPEED R.P.M.	VOLTAGE V.	Hz.	TIME RATING	INSULATION CLASS	SERVICE FACTOR	BEARINGS		WEIGHT LBS
			HP	KW								DE	NDE	
SPT0/74	BEGS39	48	3/4	.56	4	1800	115/208-230	60	CONT.	F	1.15	6203ZZ	6202ZZ	32

TOTALLY ENCLOSED FAN COOLED, SQUIRREL CAGE ROTOR



**SLOT DETAIL**  
4X



**SHAFT END**  
(ENLARGED VIEW)

**NOTES:**

1. DIMENSIONS IN INCH.
2. ENCLOSURE: IP44.
3. FOR BELT SERVICE OR DIRECT COUPLING SERVICE.
4. BI-DIRECTIONAL ROTATION.

REF: 3904R750KF10A	REV. DATA		
	TECO Westinghouse		REV NO 01
	HVAC SINGLE PHASE OUTLINE DIMENSIONS		DWG NO. SPT0/74
	DWN K. MILNER	081617	APPD T. FELPS 081617
TECO-WESTINGHOUSE MOTOR COMPANY		ROUND ROCK, TEXAS	USA