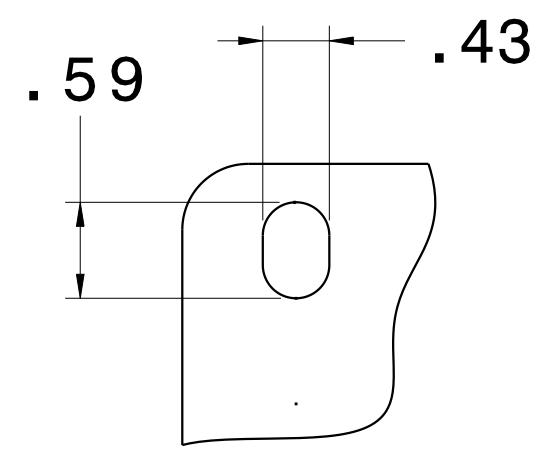
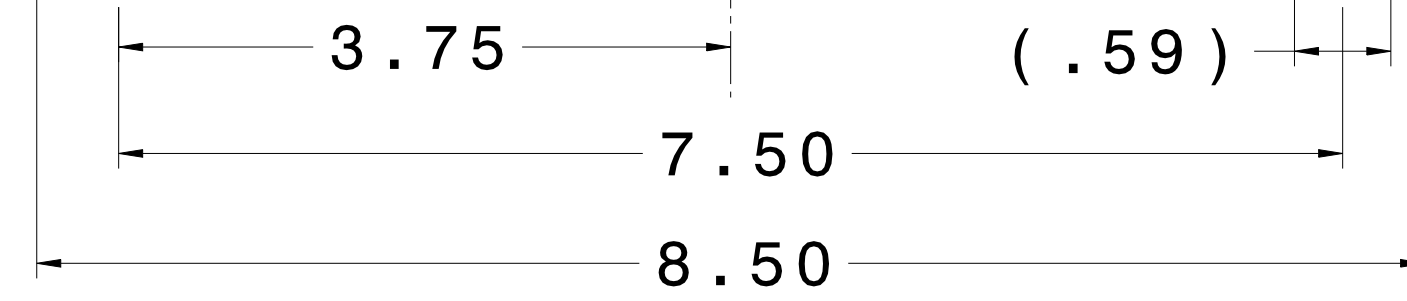
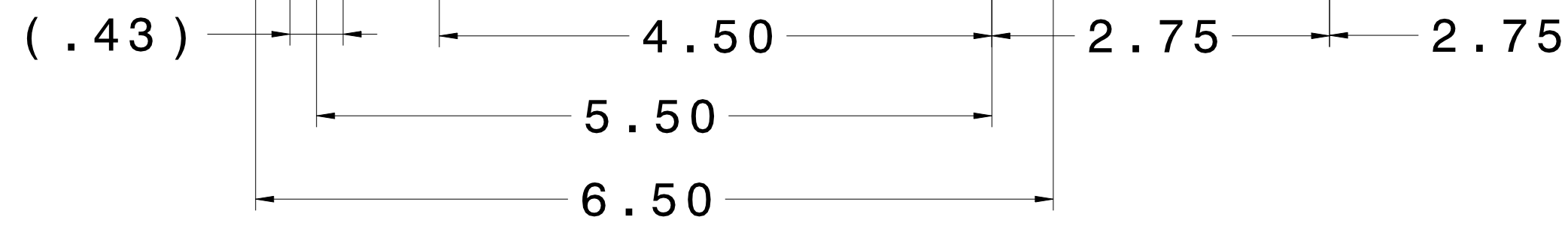
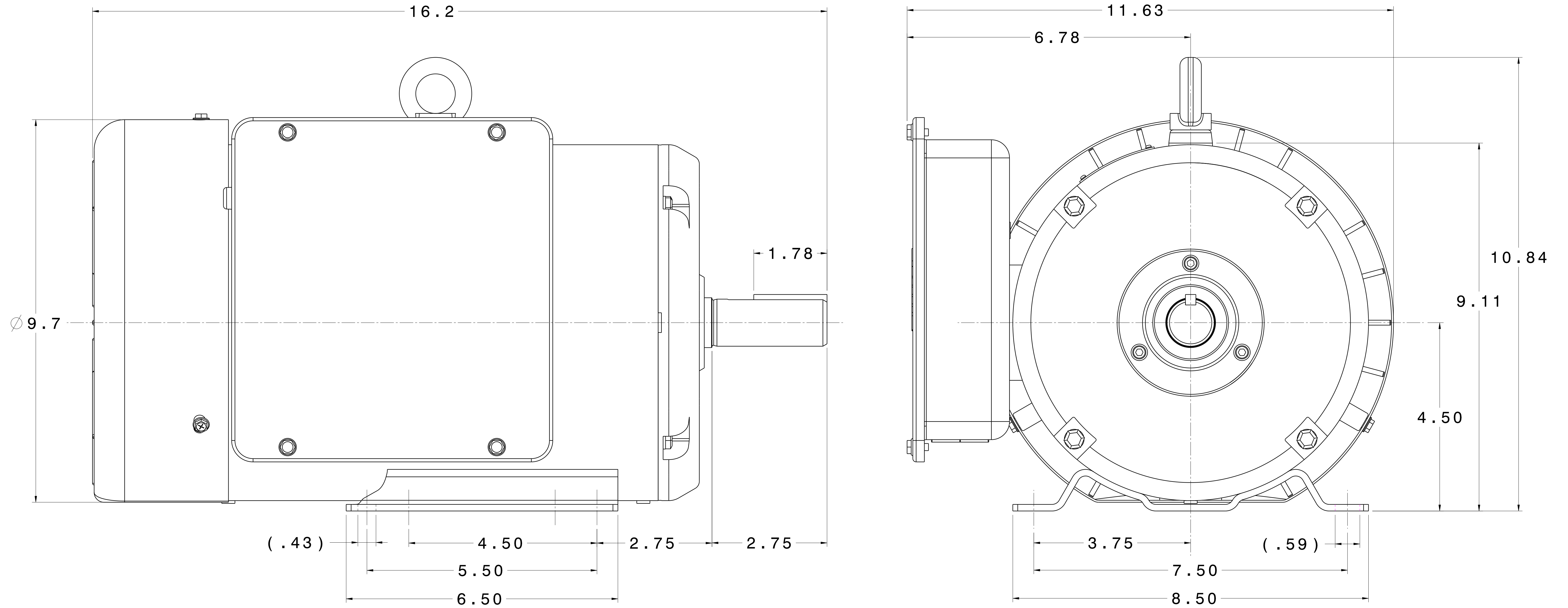
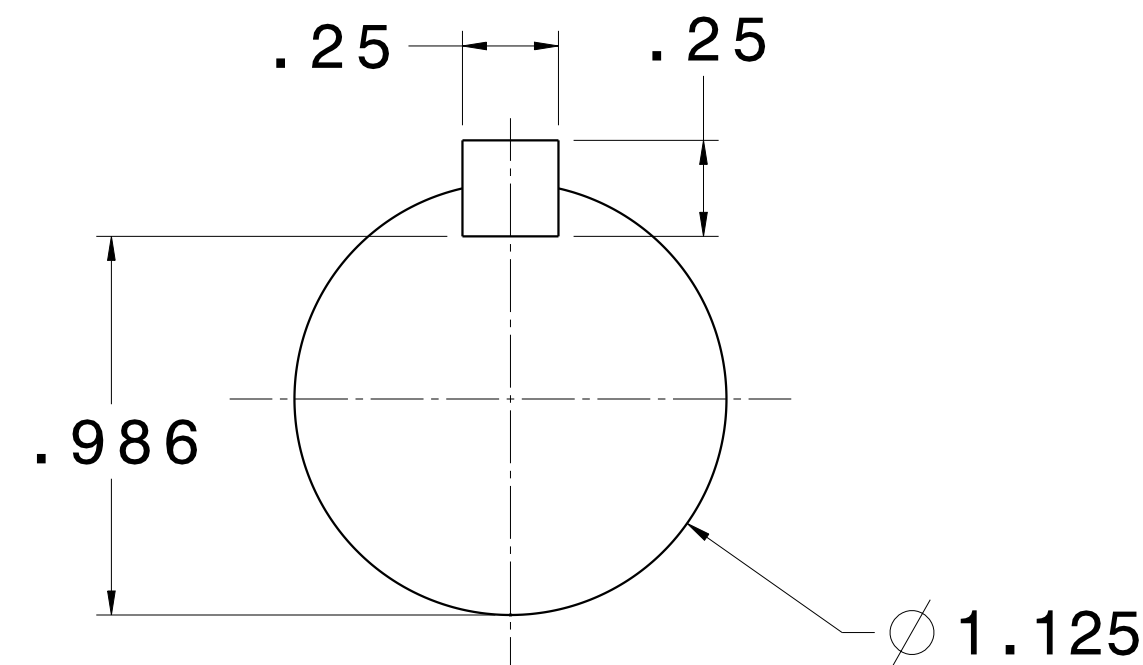


CATALOG #	TYPE	FRAME	OUTPUT		POLE	SYN. SPEED R.P.M.	VOLTAGE V.	Hz.	TIME RATING	INSULATION CLASS	SERVICE FACTOR	BEARINGS		WEIGHT LBS
			HP	KW								DE	NDE	
ST0034	BEGS19	182T	3	2.2	4	1800	208-230	60	CONT.	F	1.15	6206ZZ	6205ZZ	97

TOTALLY ENCLOSED FAN-COOLED TYPE, SQUIRREL-CAGE ROTOR



SLOT DETAIL



**SHAFT END
(ENLARGED VIEW)**

NOTES:

1. DIMENSIONS IN INCH.
2. ENCLOSURE: IP44.
3. FOR BELT SERVICE OR DIRECT COUPLING SERVICE.
4. BI-DIRECTIONAL ROTATION.

REF: 19040003GE10A	REV. DATA		REV NO 01		
	TECO Westinghouse			DWG NO. ST0034	
	HVAC SINGLE PHASE OUTLINE DIMENSIONS		TECO-WESTINGHOUSE MOTOR COMPANY		
	DWN K. MILNER		092717 APPD T. FELPS		092717
TECO-WESTINGHOUSE MOTOR COMPANY			ROUND ROCK, TEXAS USA		