

DATE March 15, 2017
 Catalog No: VH1004FP

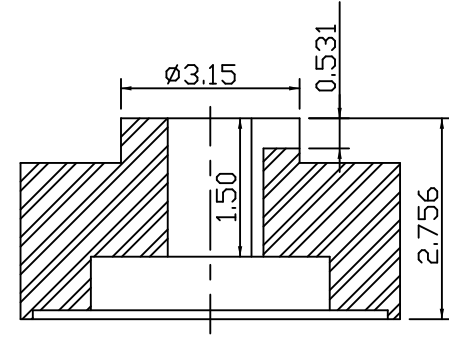
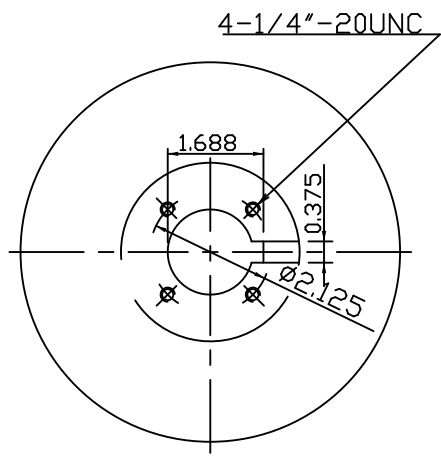
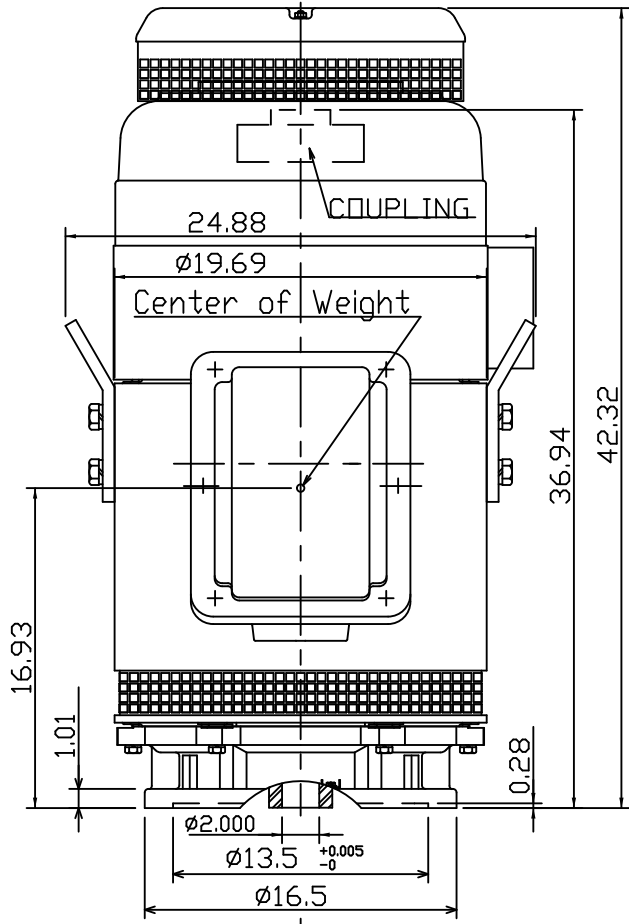
OUTLINE DIMENSIONS
 3-PHASE INDUCTION MOTOR

MOTOR TYPE: AMRC
 FRAME NO. 404TP

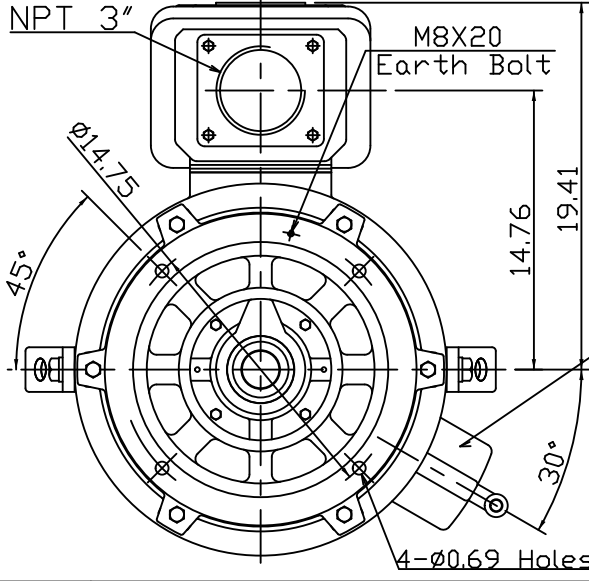
Pole	HP	kW	Hz	VOLT	r/min(rpm)
4	100	75	60	230/460	1800

Ins	Rating	Dimension in	Approx Weight	Bearings	
F	CONT.	inch	1279 lbs	DE: 6315C3	NDE: 7222B

NEMA Weather Protected TYPE IKWP I).Squirrel-cage Rotor.



Coupling Dimension



- Note:
1. Downthrust:8600lbs (L10:8800hrs)
 2. Rotation:C.C.W (View from Top)
 3. With Ball type N.R.R.
 4. Approx Reed Frequencies:53.7Hz
 5. Upper Bearing(Oil lube)
 Kind of Oil:Turbine Oil
 -300SSU/100°F(ISO VG68)
 Quantity:1.06 Gallons

Oil Gauge,Oil Inlet and Outlet(UPPER BEARING)



DWG.	K.L.KUD	04 -20 11
CHKD.	K.L.KUD	04 -20 11
APPD.	M.C.TSAI	04 -20 11



DWG NO. 31057H811360