

6

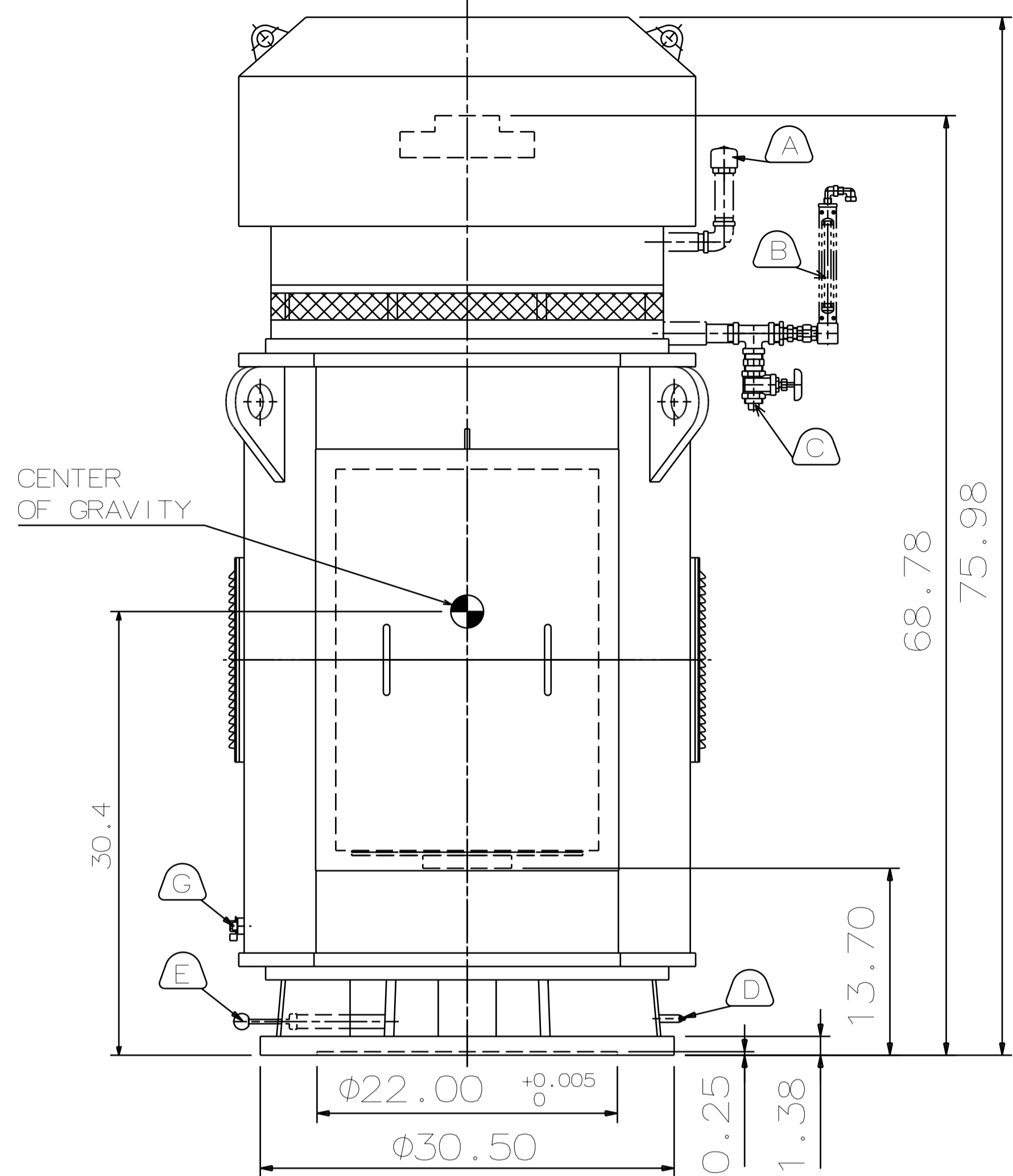
5

4

3

2

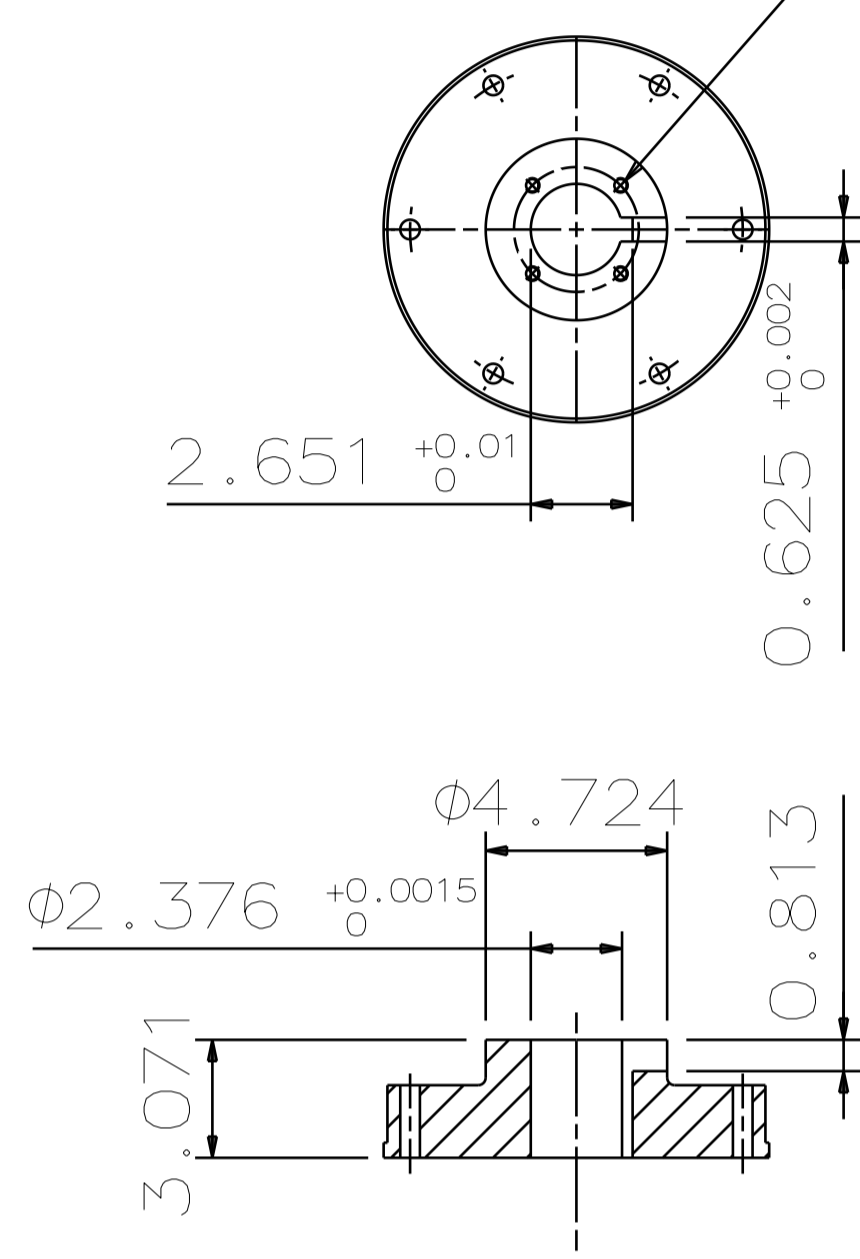
1



TYPE	OUTPUT		POLE	TIME RATING	VOLTAGE V	Hz	SYN. SPEED R.P.M
	HP.	kW.					
AMRKNH	800	596.5	6	CONT	2300/4000	60	1200

ENCLOSED VENTILATED VERTICAL HOLLOW SHAFT TYPE, SQUIRREL CAGE ROTOR
NEMA WEATHER PROTECTED TYPE I

4~0.375"-16UNC

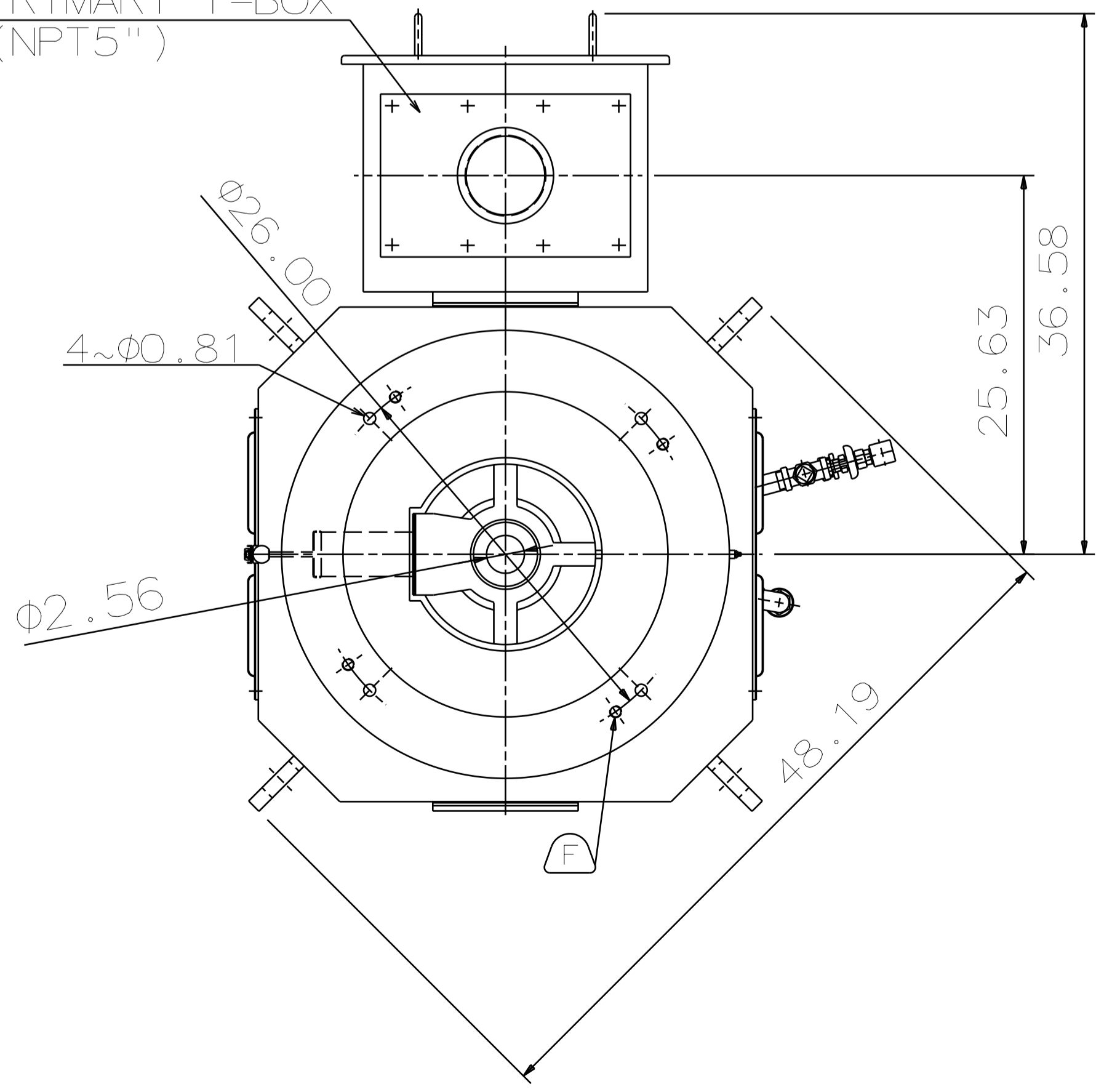


COUPLING
[ENLARGED VIEW]

NOTE:

- DIMENSIONS IN INCH
- FRAME NO.5810
- F CLASS INSULATION, S.F. 1.15
- FOR DIRECT COUPLING
- BEARING SIZE:
UPPER BEARING: 29330+6028 (INSULATED)
LOWER BEARING: 6224C3 [UNINSULATED]
- UPPER BEARING IS INSULATED. ANY METAL CONNECTIONS TO IT MUST BE INSULATED.
- LUBRICATION:
UPPER BEARING USE OIL.
OIL VISCOSITY: ISO VG68 [300 SSU/100°F]
OIL QUANTITY: 2.9 GAL.
LOWER BEARING USE GREASE. [MOBIL POLYREX EM]
- ROTATION: COUNTER-CLOCKWISE [VIEW FROM TOP].
- WITH NON-REVERSE RATCHET MECHANISM.
- WITH GIB KEY: 0.625X0.625X3.07, 1PCS
- APPROXIMATE WEIGHT: 5720
- DOWNTHRUST: 33,000 LBS (L10-8800HRS)
- REED FREQUENCY: 28 HZ
- SPACE HEATER RATED AT 120 VOLT, SINGLE PHASE, 200 WATTS, LEADS TERMINATE IN MAIN LEAD BOX.

PRIMARY T-BOX
(NPT5")



- (A) OIL FILLER [UPPER BEARING]
- (B) OIL GAUGE [UPPER BEARING]
- (C) OIL DRAIN [UPPER BEARING]
- (D) GREASE INLET [LOWER BEARING]
- (E) GREASE DISCHARGER [LOWER BEARING]
- (F) 4~M20 VERTICAL JACKING HOLES, 90°APART IN MOTOR BASE.
- (G) M10 TAPPED GROUNDING ON FRAME, WITH ONE GROUNDING STUDS & [R38-10] TERMINAL LOCATED AS SHOWN.

DATE	DEC 08 2016	OUTLINE DIMENSIONS
	VHKP8006	

DWN.	Y. YANG	JUN.02.2015
CHKD.	R. LEE	JUN.02.2015
APPD.	C. LIU	JUN.02.2015

TECO Westinghouse	DWG NO.	REV:00
	4B040L488	

6

5

4

3

2

1