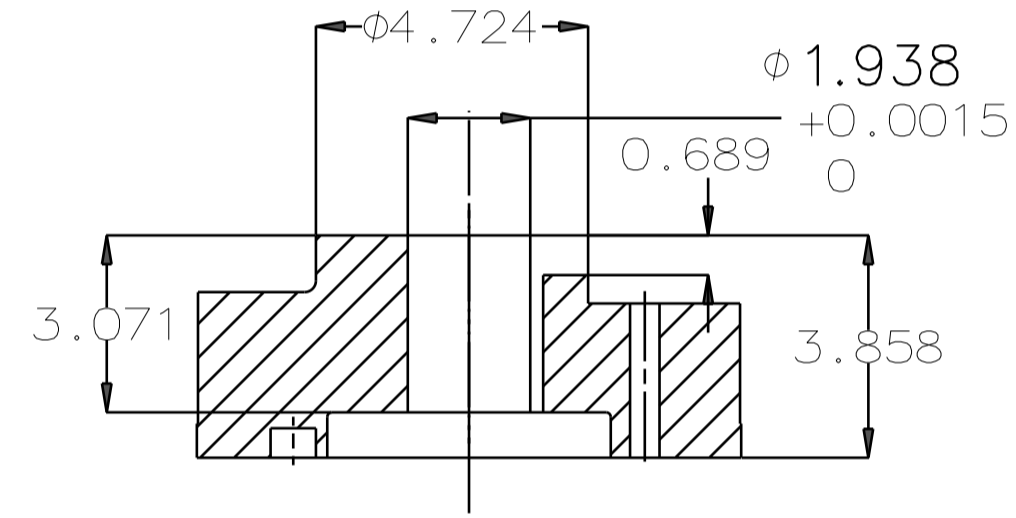
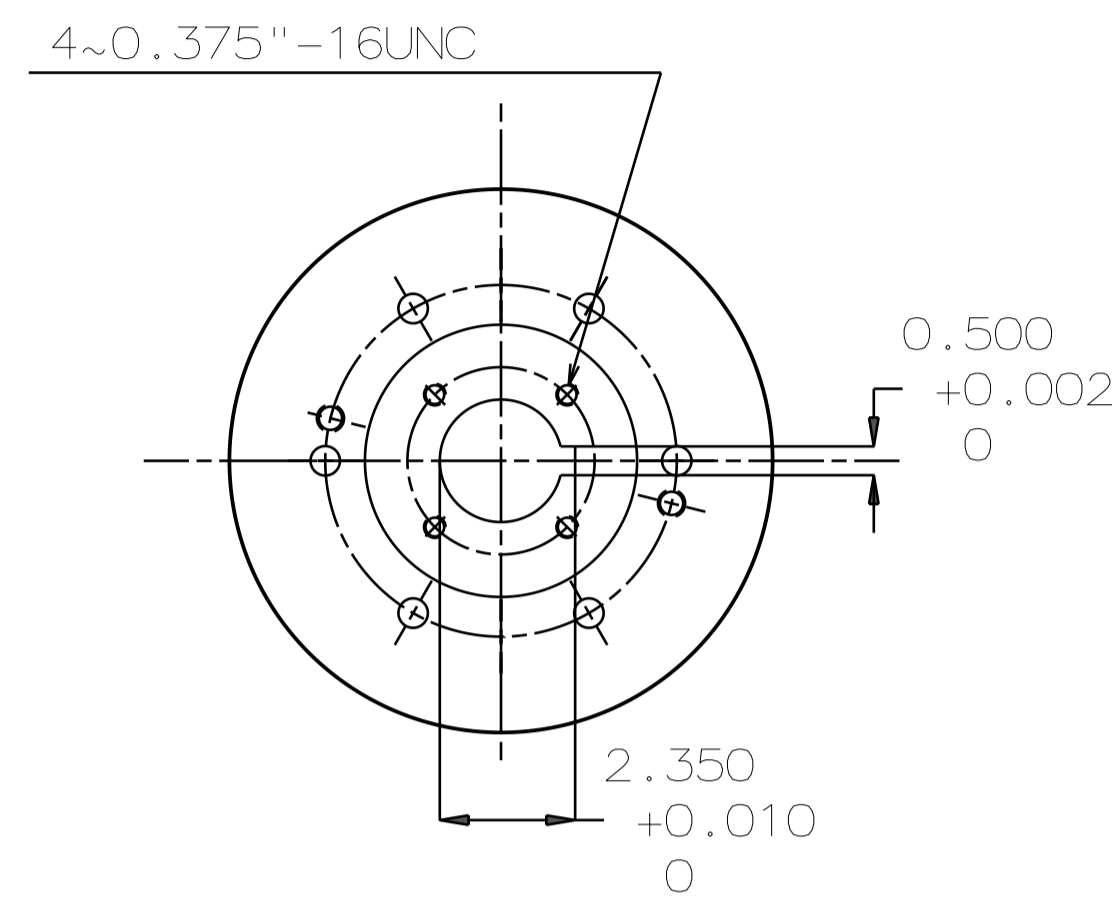


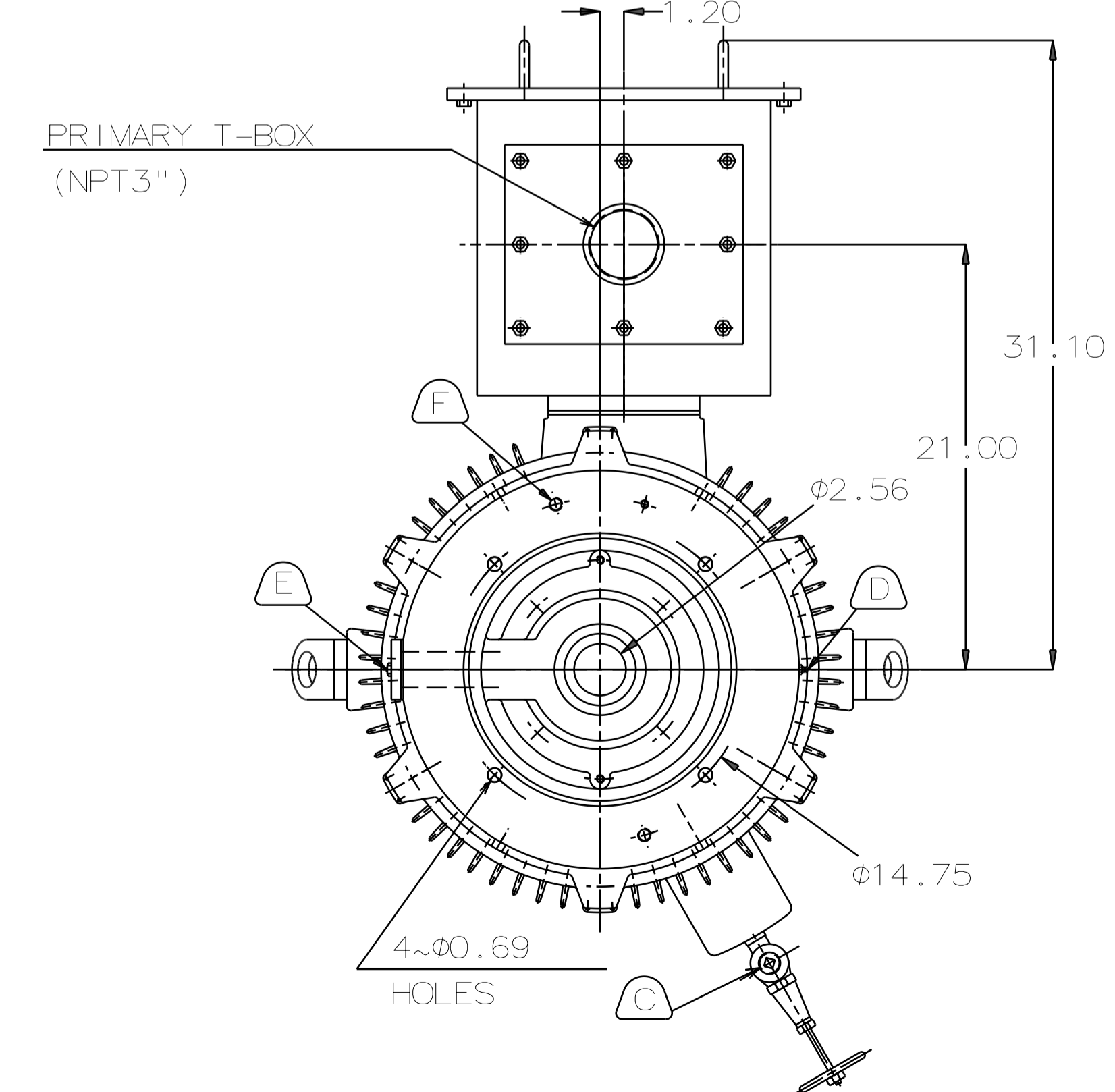
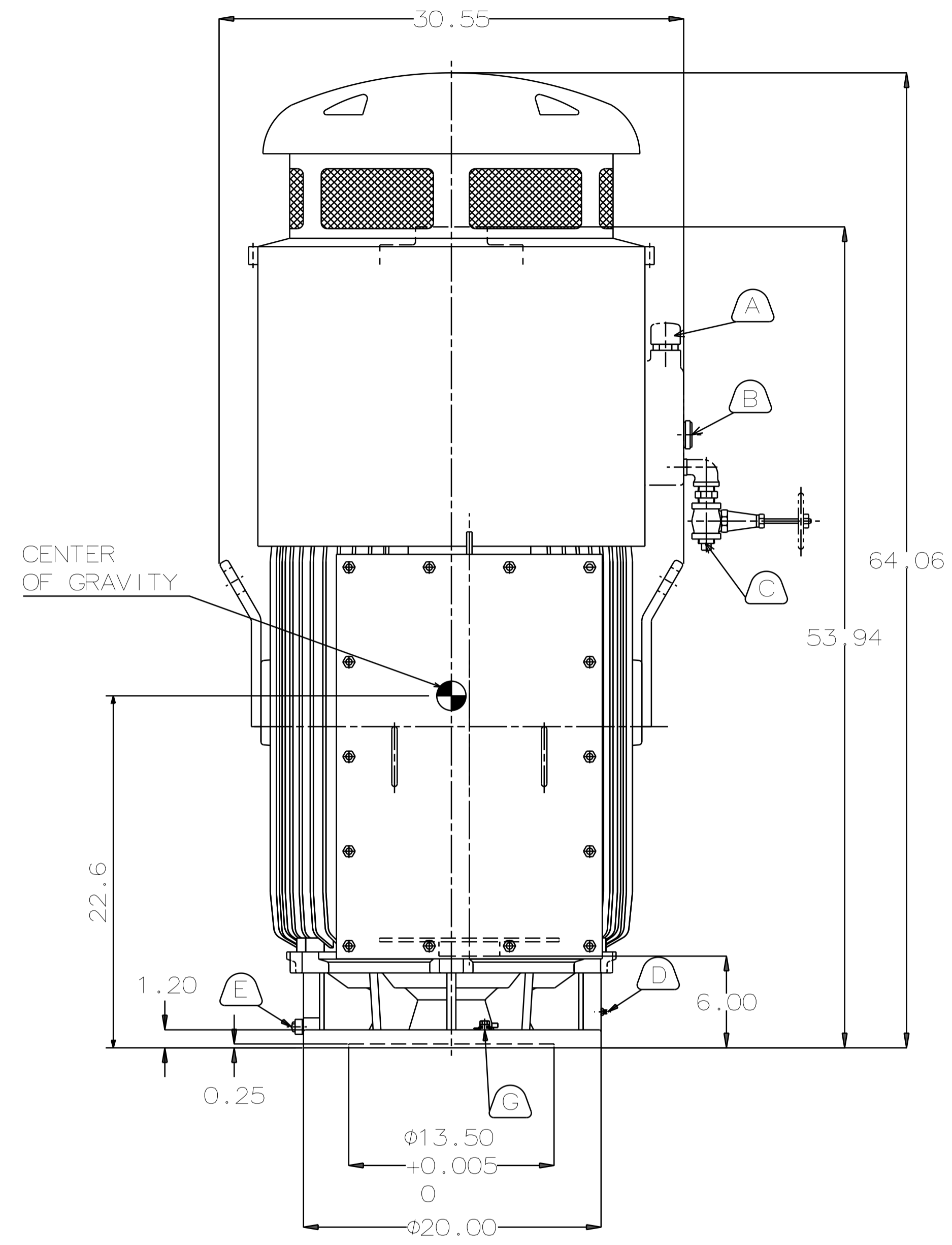
TYPE	OUTPUT		POLE	TIME RATING	VOLTAGE V	Hz	SYN. SPEED R.P.M
	HP.	kW.					
AEHCNH	200	149.1	6	CONT	2300/4000	60	1200

TOTALLY ENCLOSED FAN-COOLED VERTICAL HOLLOW SHAFT TYPE, SQUIRREL CAGE ROTOR

- NOTE:
1. DIMENSIONS IN INCH
  2. FRAME NO. 449TP
  3. F CLASS INSULATION, S.F.: 1.15
  4. FOR DIRECT COUPLING.
  5. BEARING SIZE:  
UPPER BEARING: 7326B (UNINSULATED)  
LOWER BEARING: 6318C3 (UNINSULATED)
  6. LUBRICATION:  
UPPER BEARING USE OIL.  
OIL VISCOSITY: ISO VG68 [300SSU AT 100°F]  
OIL QUANTITY: 1.8 GAL.  
LOWER BEARING USE GREASE. (MOBIL POLYREX EM)
  7. ROTATION: COUNTER-CLOCKWISE [VIEW FROM TOP].
  8. WITH NON-REVERSE RATCHET MECHANISM.
  9. WITH GIB KEY: 0.500X0.500X3.071, 1PCS
  10. APPROXIMATE WEIGHT: 3020
  11. DOWNTHRUST: 11,400 LBS (L10-8800HRS)
  12. REED FREQUENCY: 36 HZ
  13. SPACE HEATER RATED AT 120 VOLT, SINGLE PHASE, 109 WATTS, LEADS TERMINATE IN MAIN LEAD BOX.



COUPLING  
(ENLARGED VIEW)



- A OIL FILLER [UPPER BEARING]
- B OIL GAUGE [UPPER BEARING]
- C OIL DRAIN [UPPER BEARING]
- D GREASE INLET [LOWER BEARING]
- E GREASE DISCHARGER [LOWER BEARING]
- F 2~M16 VERTICAL JACKING HOLES 180° APART IN MOTOR BASE.
- G M10 TAPPED HOLE IN MOTOR BASE WITH GROUNDING TERMINAL [R38-10] & BOLT LOCATED AS SHOWN.

DATE	DEC 08 2016	OUTLINE DIMENSIONS	
	VHKTP2006	3-PHASE INDUCTION MOTOR	
DWN.	Y. YANG	MAY. 25. 2015	
CHKD.	R. LEE	MAY. 25. 2015	
APPD.	C. LIU	MAY. 25. 2015	
TECO Westinghouse		DWG NO.	REV: 00
		4B040L407	

6 5 4 3 2 1

6 5 4 3 2 1