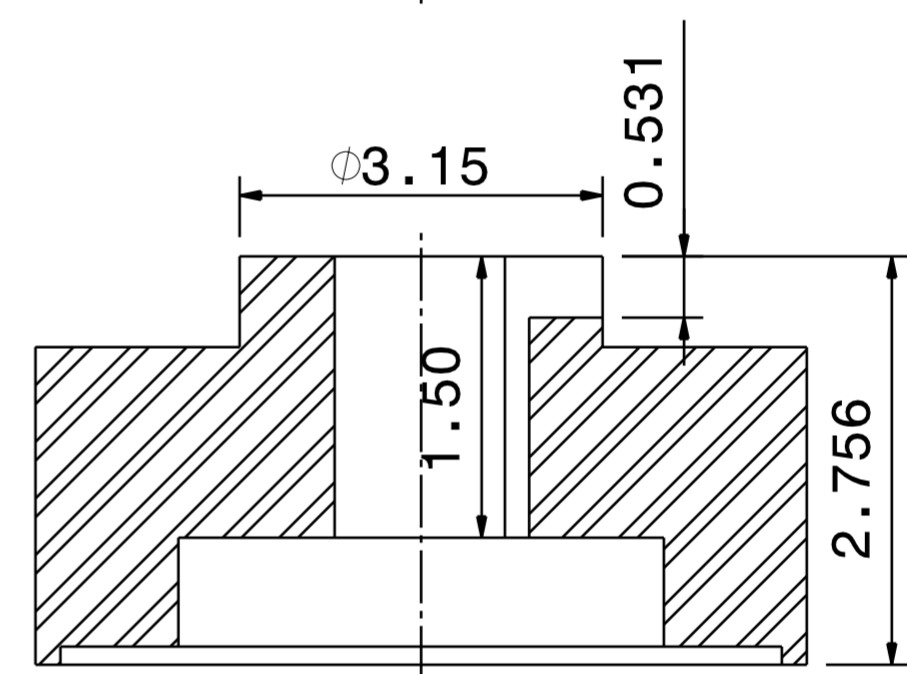
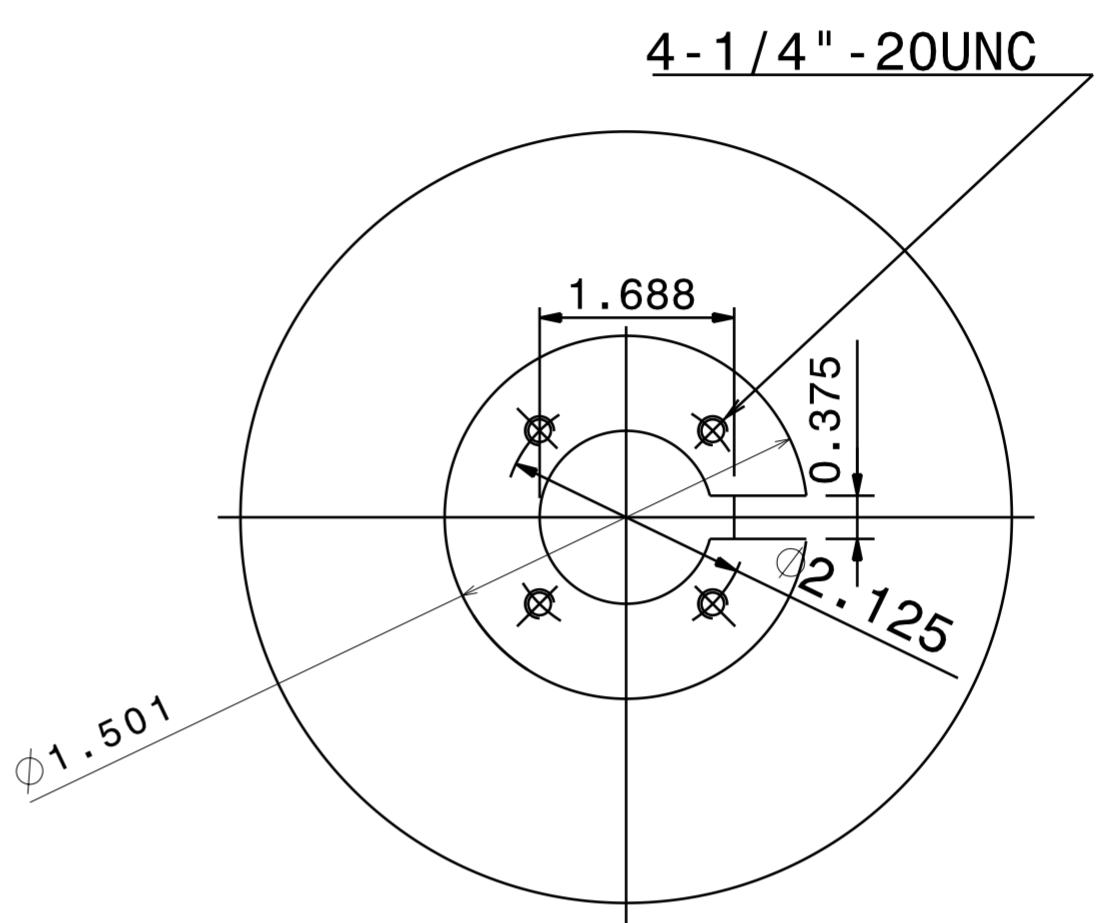
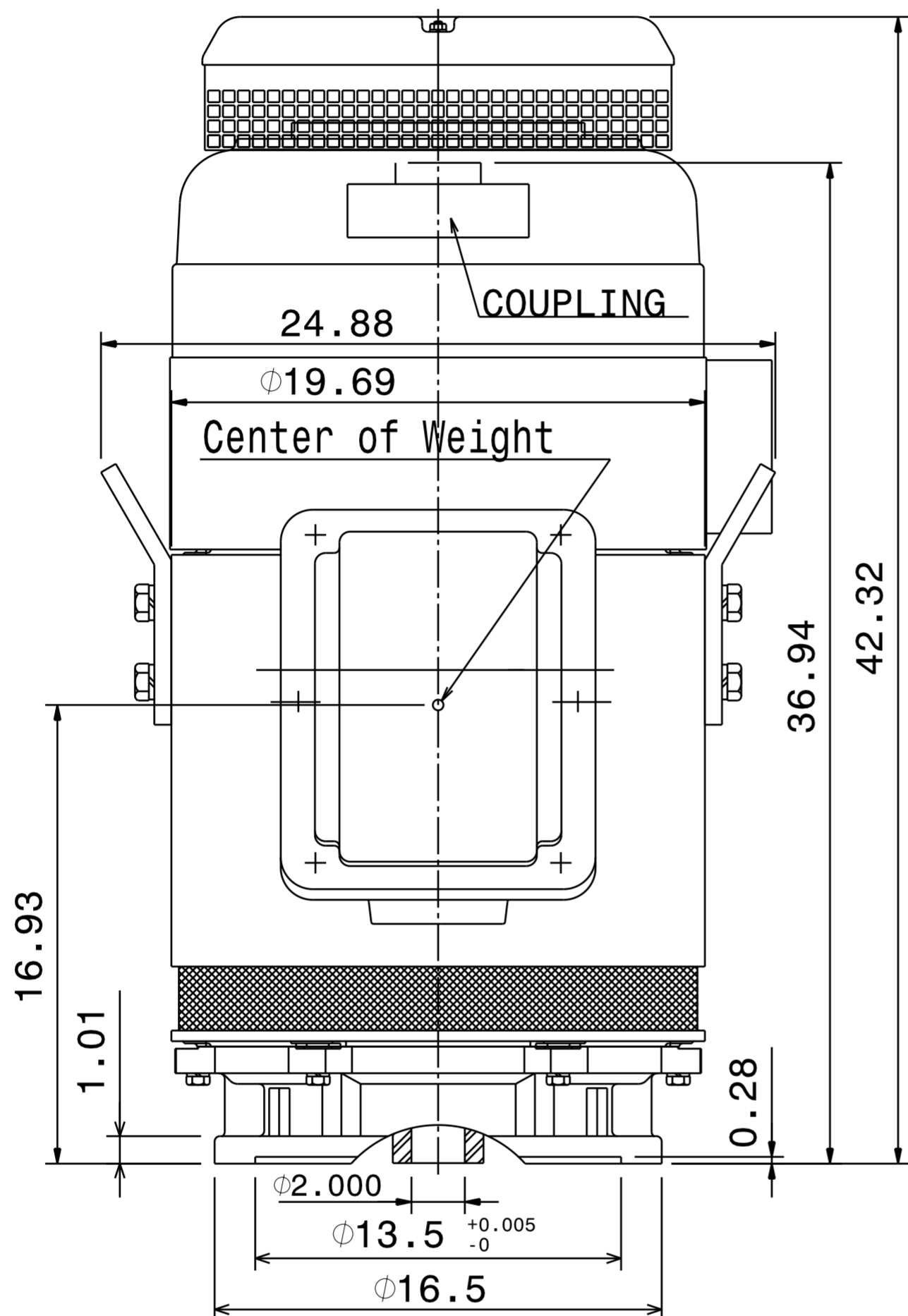


DATE Jan. 14, 2012	OUTLINE DIMENSIONS	MOTOR TYPE: AMRCNH
CAT. #: VHP0756		3-PHASE INDUCTION MOTOR

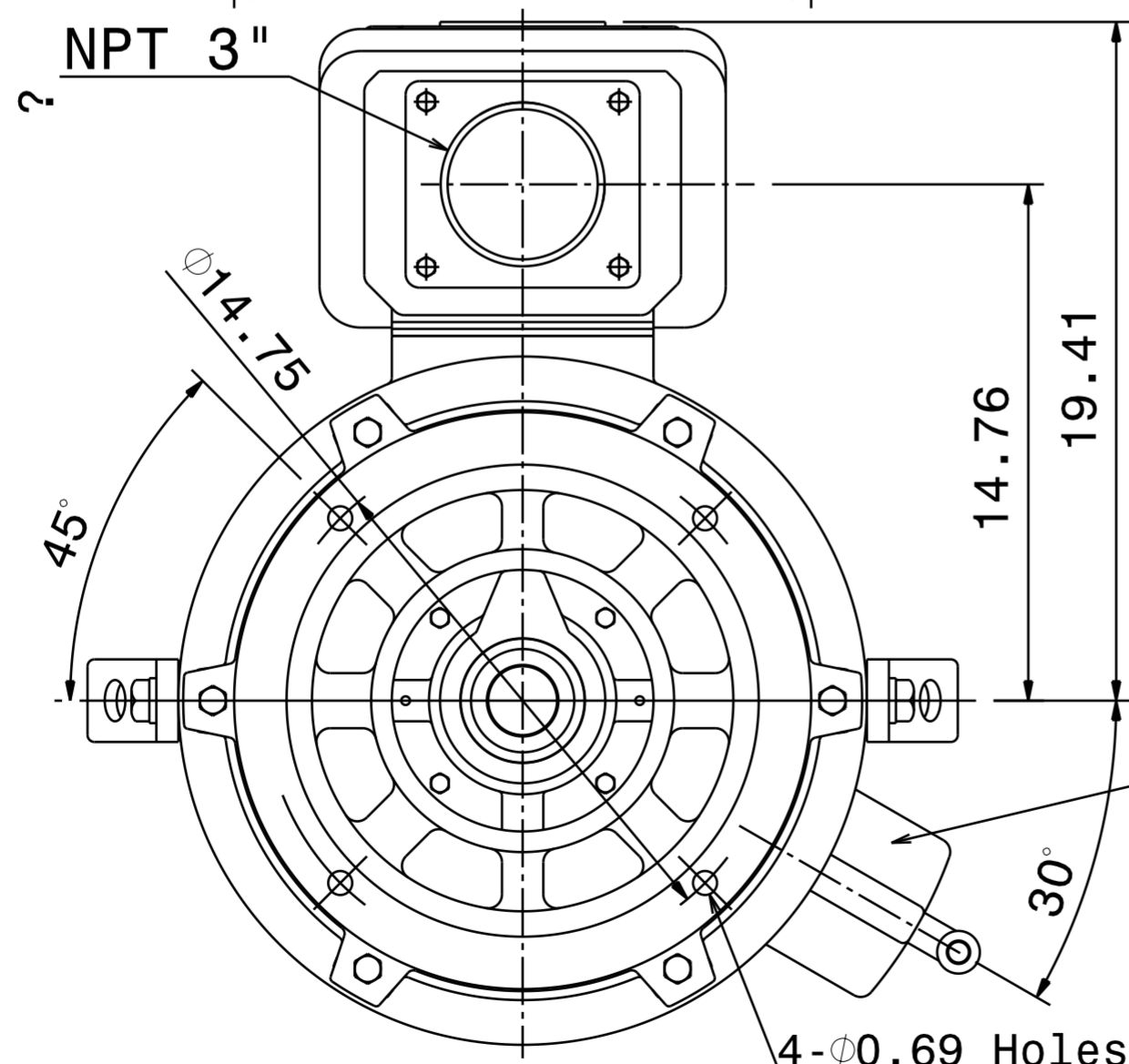
Pole	HP	kW	Hz	VOLT	Syn. Speed r/min (rpm)
6	75	56.0	60	230/460	1200

Ins	Rating	Dimension in	Approx Weight	Bearings
F	CONT.	inch	989 lbs	DE: 6315C3 NDE: 7322B

NEMA Weather Protected TYPE I (WP I) Squirrel-cage Rotor.



Coupling Dimension



- Note:
1. Downthrust: 7900lbs
L10 - 8800 hours
 2. Rotation: C.C.W
View from Top
 3. With N.R.R.
 4. Approx Reed
Frequencies: 48 Hz
 5. Upper Bearing: Oil lube
Kind of Oil: Turbine Oil
-300SSU/100°F ISO VG68
Quantity: 1.06 Gallons

1	12.23.08	
---	----------	--

DWN.	???????	12-12-08	TECO Westinghouse	DWG NO.
CHKD.	???????	12-23-08		
APPD.	???????	12-23-08		