

CATALOG NUMBER:
VHTP0404
DATE OCT-03-2017

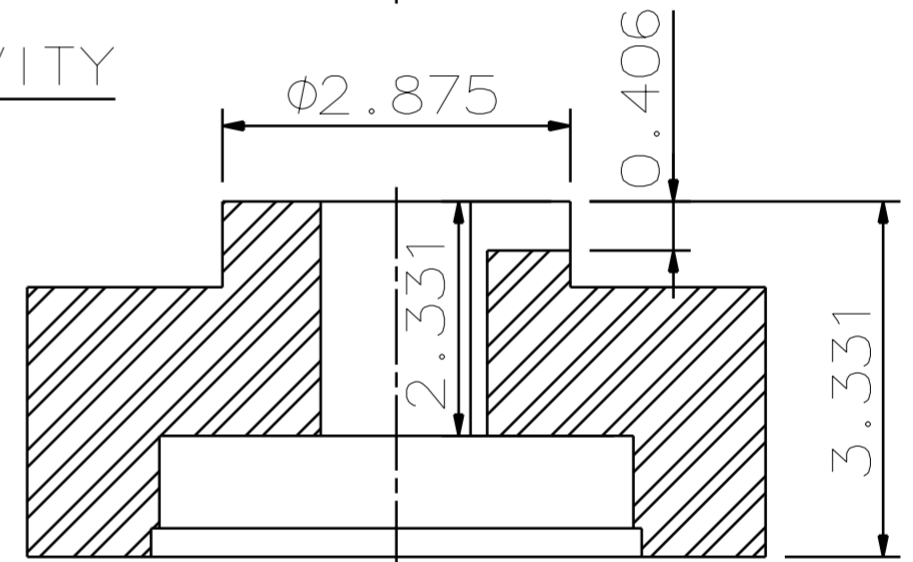
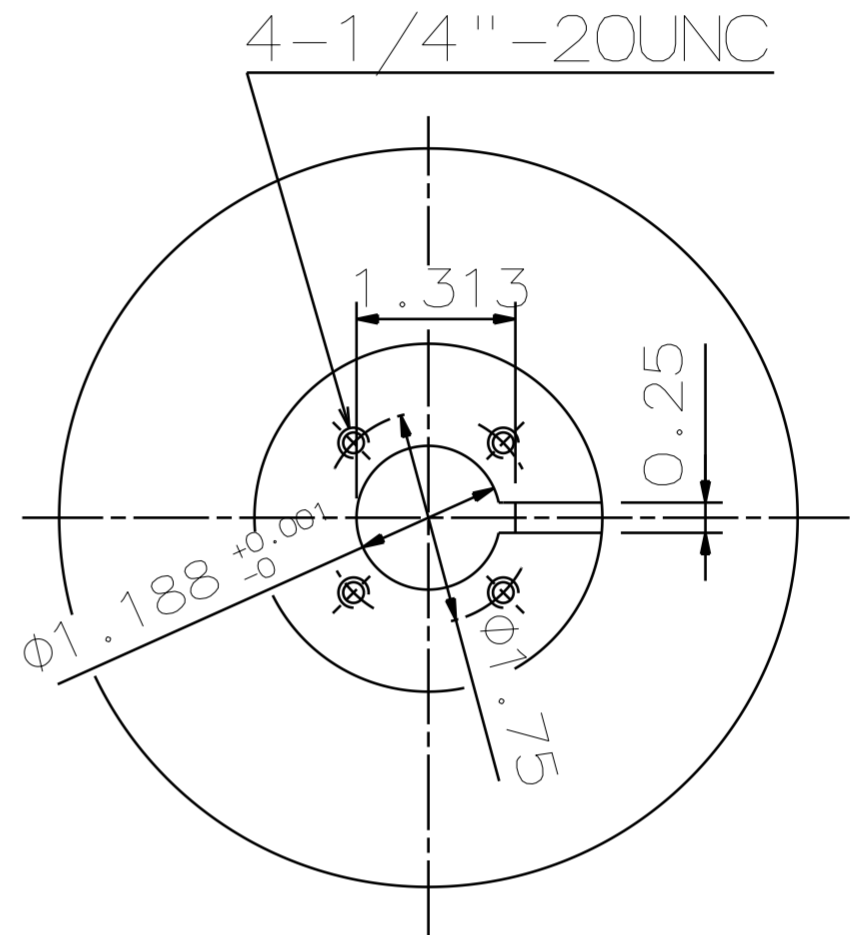
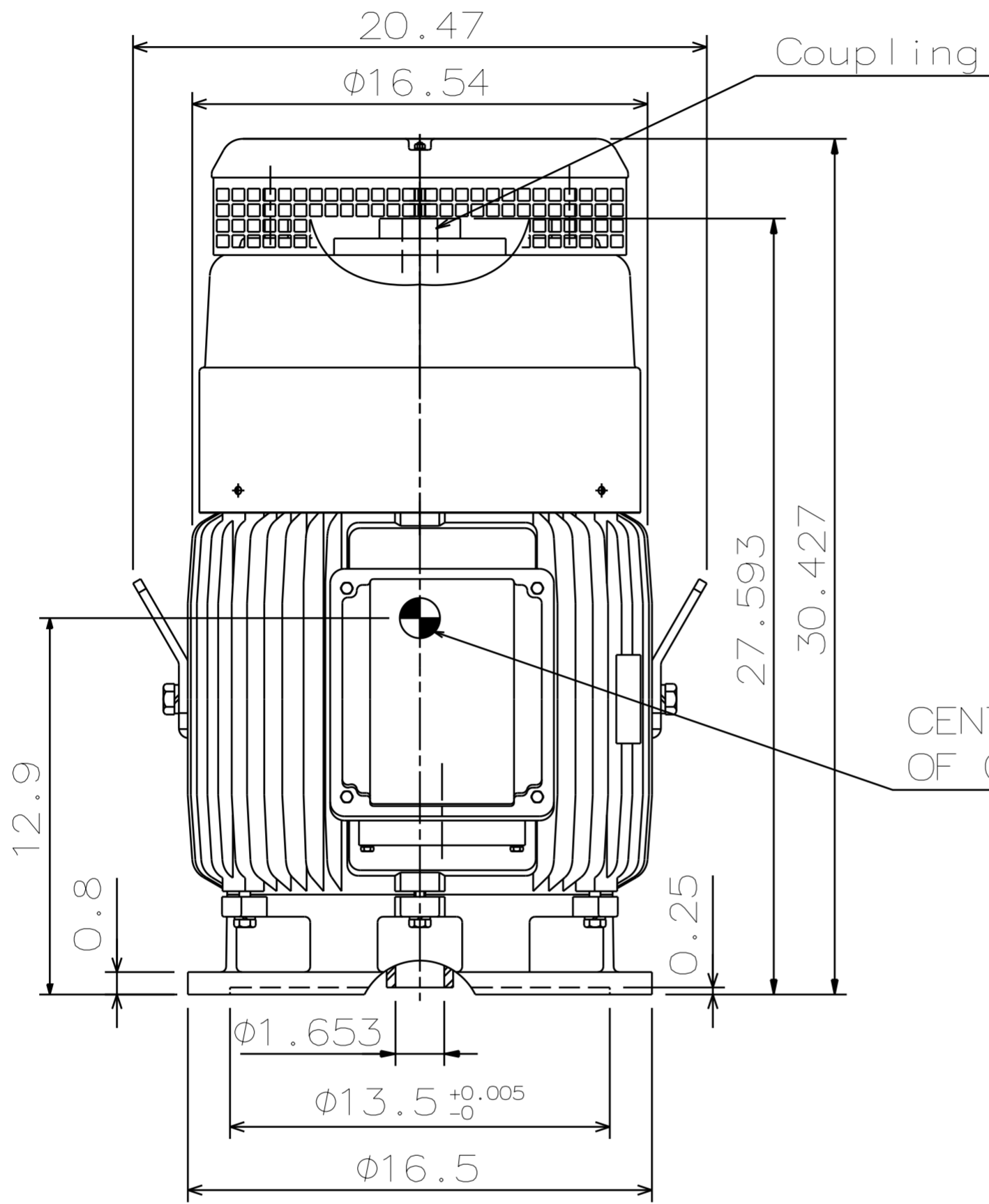
OUTLINE DIMENSIONS
3-PHASE INDUCTION MOTOR

MOTOR TYPE:
AEEHNH
FRAME NO. 324TP

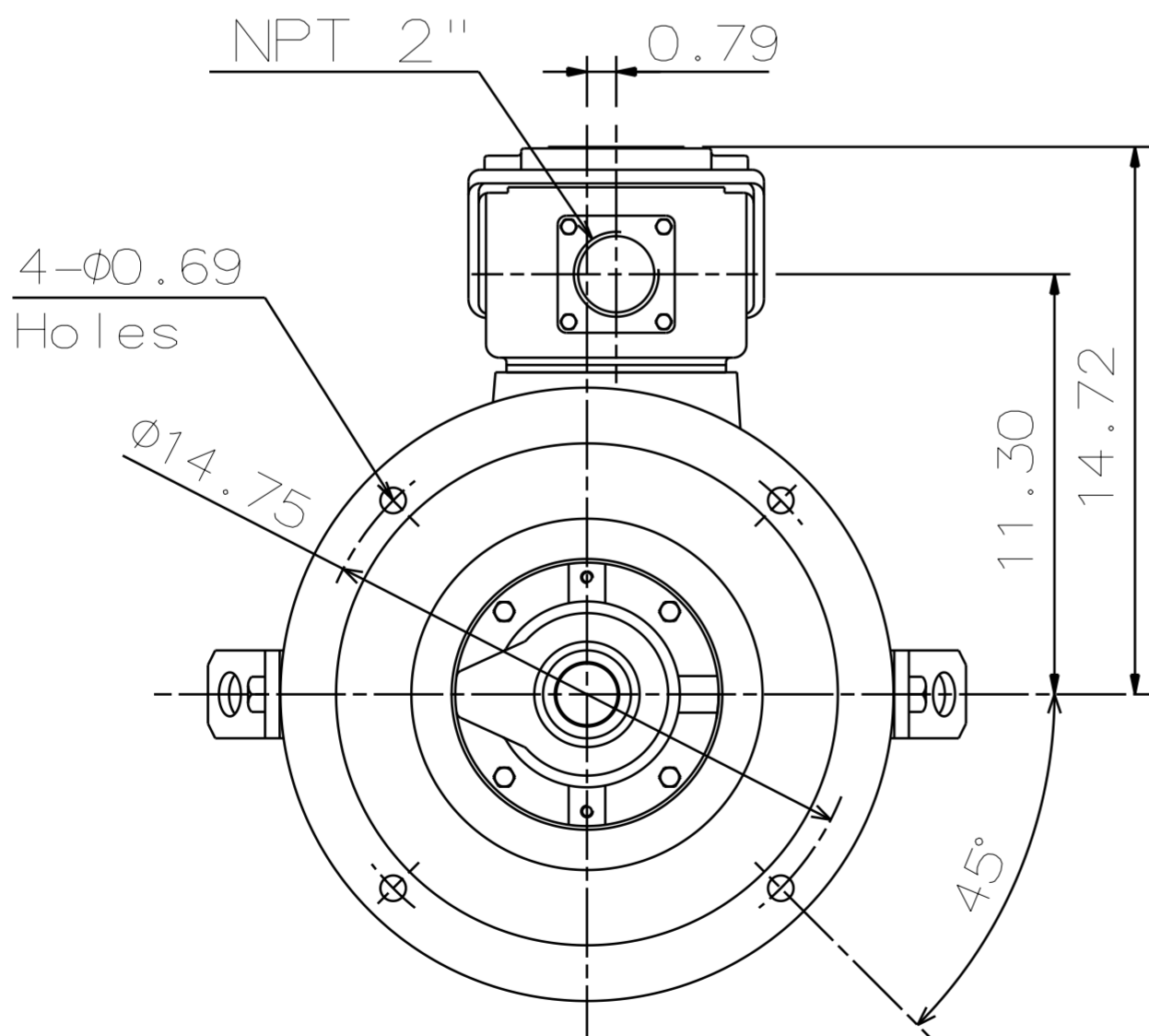
Pole	HP	kW	Hz	VOLT	r/min
4	40	30	60	230/460	1800

Ins	Rating	Dimension in	Approx Weight	Bearings
F	CONT.	inches	720 LBS	DE: 6312C3 NDE: 7315BE

Totally Enclosed Fan Cooled Vertical Type. Squirrel-cage Rotor.



Coupling Dimension



Note:

1. IPW44 Protection.
2. Rotation: C.C.W. (View from Top)
3. With Ball Type N.R.R.
4. Down Thrust: 4500 lbs. (L10: 8800 hours)
5. Space Heater Rated At 120 volts. Leads Terminate In The Main Lead Box.
6. Reed Critical Frequency: 76.0 Hz.

1BG1700011-03-00

□			
---	--	--	--

DWG.		02.07.17
CHKD.		02.07.17
APPD.		02.07.17

DWG NO.
31057A556250