

6

5

4

3

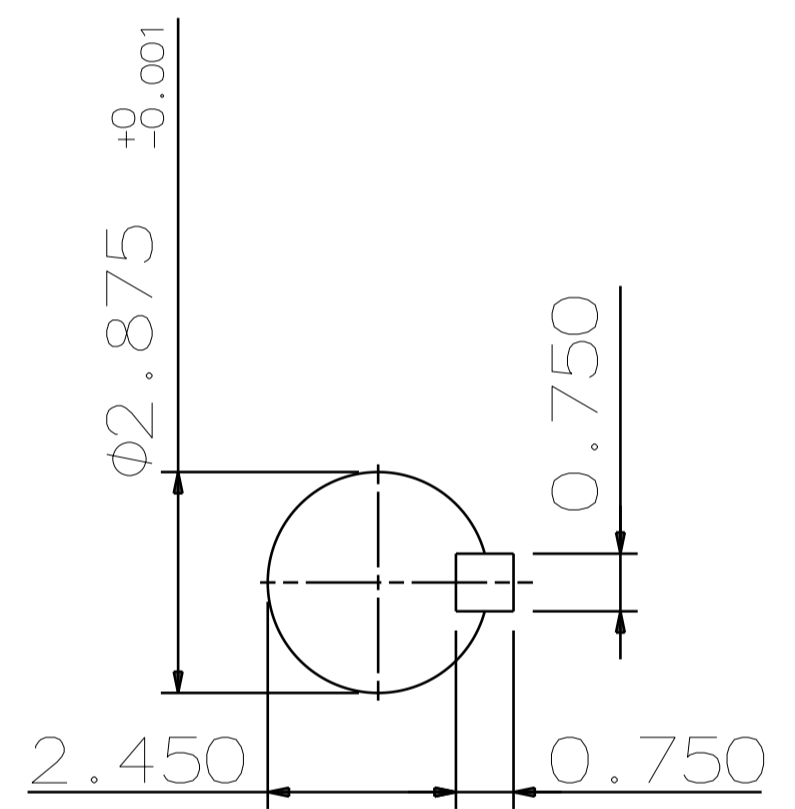
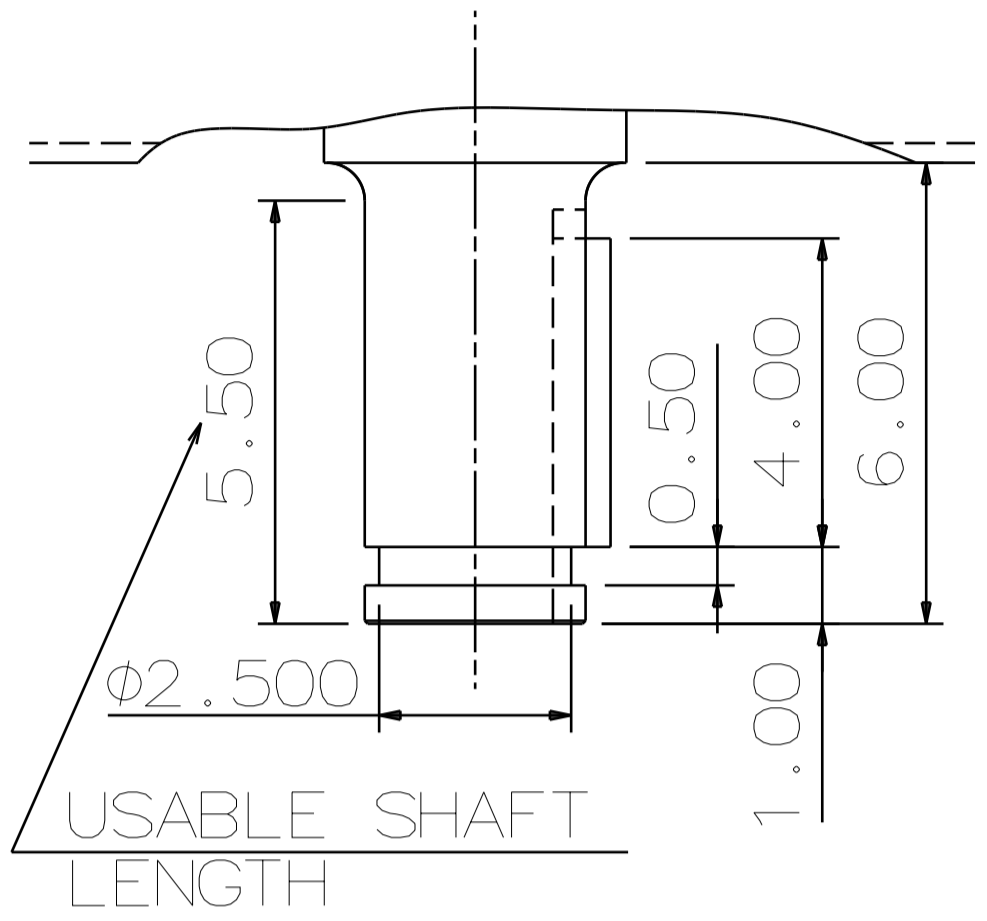
2

1

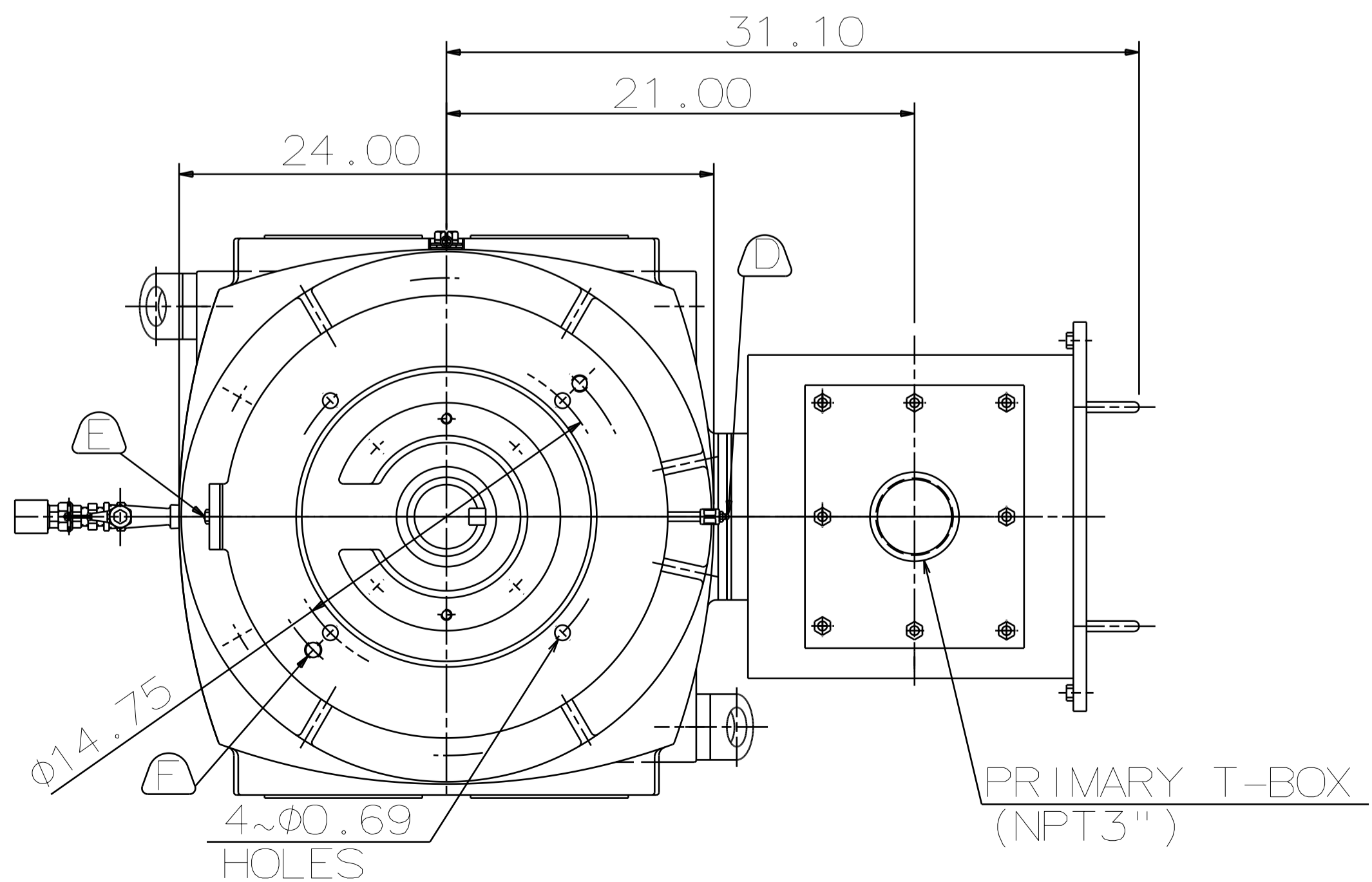
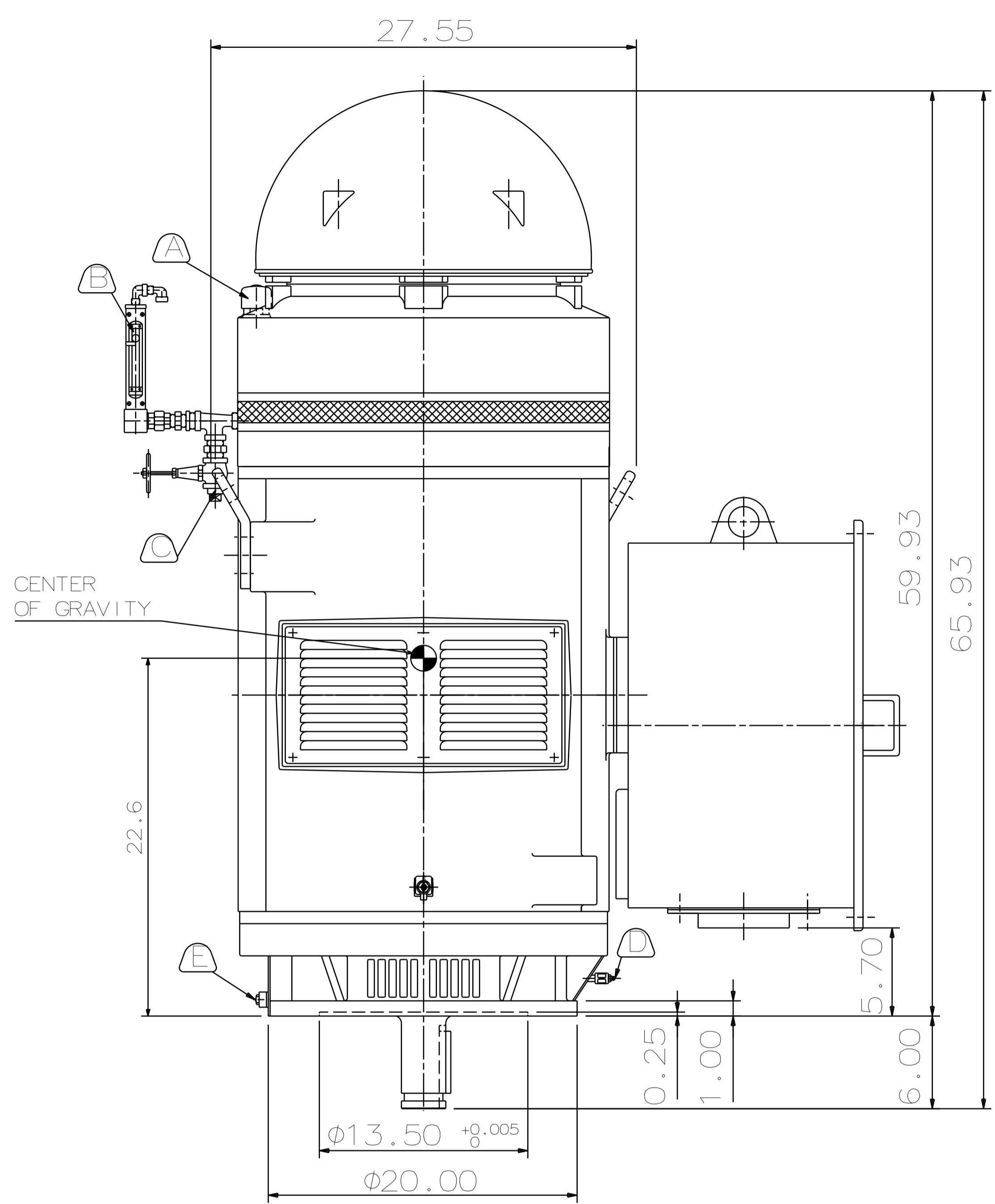
TYPE	OUTPUT		POLE	TIME RATING	VOLTAGE V	Hz	SYN. SPEED R.P.M
	HP.	kW.					
AMRKED	250	186.4	4	CONT	2300/4000	60	1800

ENCLOSED VENTILATED VERTICAL SOLID SHAFT TYPE, SQUIRREL CAGE ROTOR
NEMA WEATHER PROTECTED TYPE 1

- NOTE:
1. DIMENSIONS IN INCH
 2. FRAME NO. 449VP
 3. F CLASS INSULATION, S.F. 1.15
 4. FOR DIRECT COUPLING.
 5. BEARING SIZE:
UPPER BEARING: 7326B [UNINSULATED]
LOWER BEARING: 6318C3 [UNINSULATED]
 6. LUBRICATION:
UPPER BEARING USE OIL.
OIL VISCOSITY: ISO VG68 [300 SSU/100°F]
OIL QUANTITY: 5.0 GAL.
LOWER BEARING USE MOBIL POLYREX EM GREASE.
 7. ROTATION: COUNTER-CLOCKWISE (VIEWED FROM TOP).
 8. WITH NON-REVERSE RATCHET MECHANISM.
 9. APPROXIMATE WEIGHT: 2830
 10. DOWNTHRUST: 10,000 LBS (L10-8800HRS)
 11. REED FREQUENCY: 37 HZ
 12. SPACE HEATER RATED AT 120 VOLT, SINGLE PHASE, 200 WATTS, LEADS TERMINATE IN MAIN LEAD BOX.



SHAFT END
(ENLARGED VIEW)



- (A) OIL FILLER [UPPER BEARING]
- (B) OIL GAUGE [UPPER BEARING]
- (C) OIL DRAIN [UPPER BEARING]
- (D) GREASE INLET NIPPLE [LOWER BEARING]
- (E) GREASE OUTLET [LOWER BEARING]
- (F) 2~M16 VERTICAL JACKING HOLES 180° APART IN MOTOR BASE.
- (G) M10 TAPPED HOLE IN MOTOR BASE WITH GROUNDING TERMINAL [R38-10] & BOLT LOCATED AS SHOWN.

DATE	DEC 08 2016	OUTLINE DIMENSIONS	
	VSKP2504	3-PHASE INDUCTION MOTOR	
DWG NO.	4B040L476	REV:00	

DWN.	Y. YANG	JUN.02.2015
CHKD.	R. LEE	JUN.02.2015
APPD.	C. LIU	JUN.02.2015



6

5

4

3

2

1