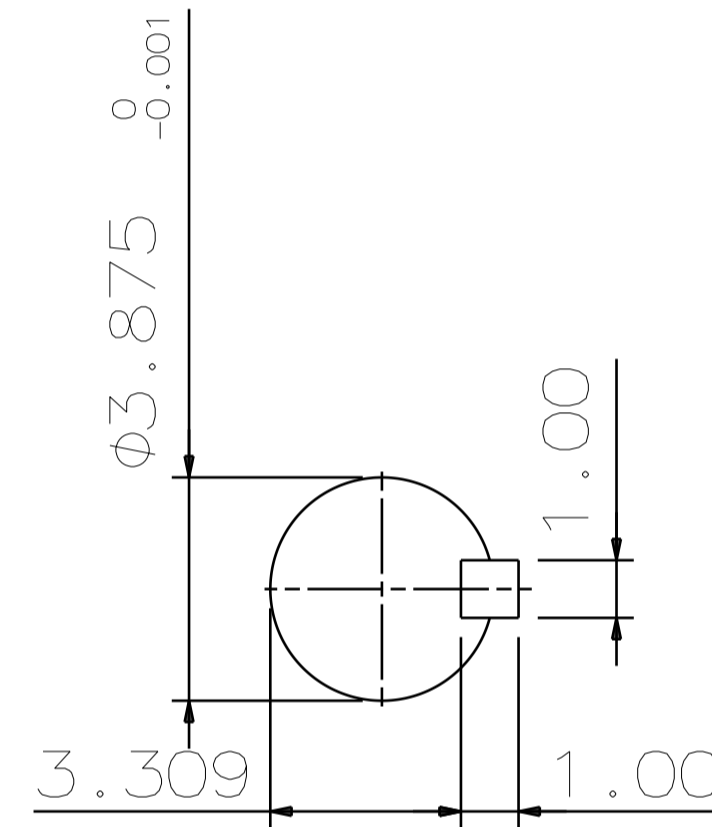
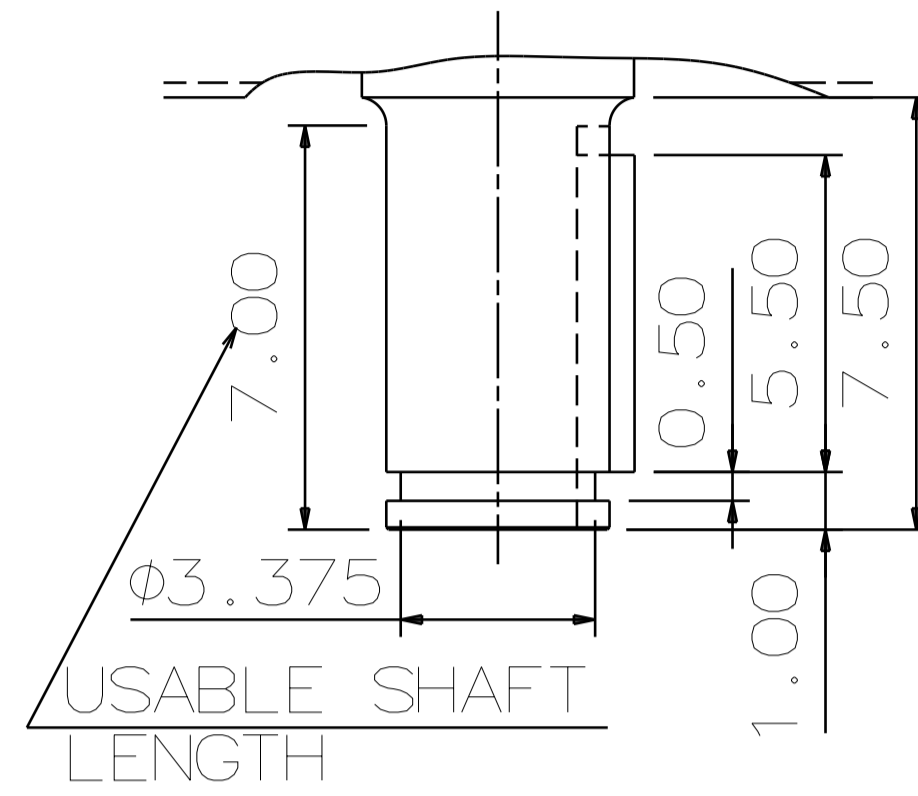


| TYPE | OUTPUT | | POLE | TIME RATING | VOLTAGE V | Hz | SYN. SPEED R.P.M |
|-------|--------|-------|------|-------------|-----------|----|------------------|
| | HP. | kW. | | | | | |
| AMRKE | 800 | 596.5 | 6 | CONT | 2300/4000 | 60 | 1200 |

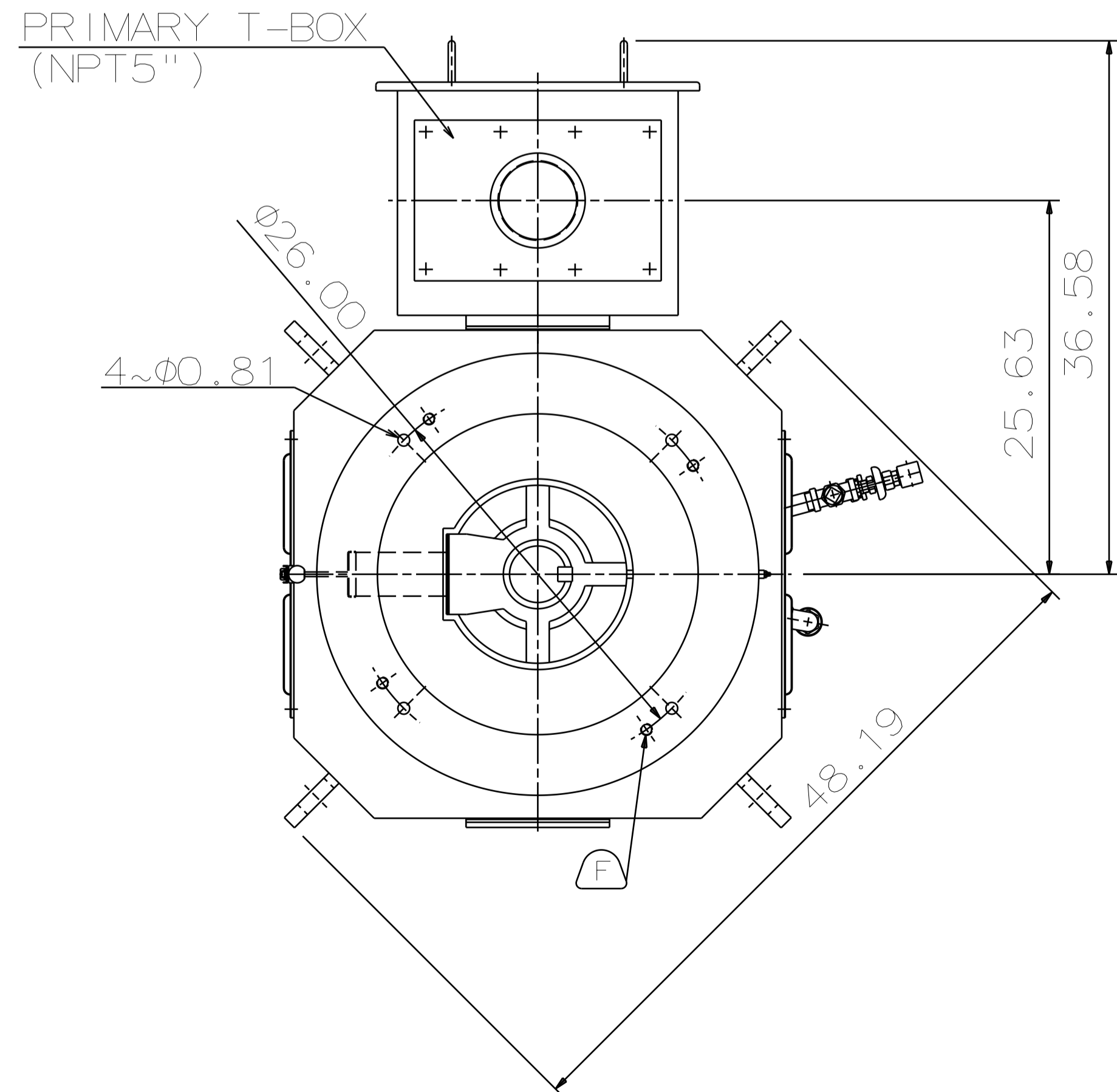
ENCLOSED VENTILATED VERTICAL SOLID SHAFT TYPE, SQUIRREL CAGE ROTOR
NEMA WEATHER PROTECTED TYPE I



SHAFT END
(ENLARGED VIEW)

NOTE:

- DIMENSIONS IN INCH
- FRAME NO.5810
- F CLASS INSULATION, S.F. 1.15
- FOR DIRECT COUPLING
- BEARING SIZE:
UPPER BEARING: 29330+6028 (INSULATED)
LOWER BEARING: 6224C3 [UNINSULATED]
- UPPER BEARING IS INSULATED. ANY METAL CONNECTIONS TO IT MUST BE INSULATED.
- LUBRICATION:
UPPER BEARING USE OIL.
OIL VISCOSITY: ISO VG68 [300 SSU/100°F]
OIL QUANTITY: 2.9 GAL.
LOWER BEARING USE GREASE. [MOBIL POLYREX EM]
- ROTATION: COUNTER-CLOCKWISE [VIEW FROM TOP].
- WITH NON-REVERSE RATCHET MECHANISM.
- APPROXIMATE WEIGHT: 5850
- DOWNTHRUST: 33,000 LBS (L10-8800HRS)
- REED FREQUENCY: 28 HZ
- SPACE HEATER RATED AT 120 VOLT, SINGLE PHASE, 200 WATTS, LEADS TERMINATE IN MAIN LEAD BOX.



- (A) OIL FILLER [UPPER BEARING]
- (B) OIL GAUGE [UPPER BEARING]
- (C) OIL DRAIN [UPPER BEARING]
- (D) GREASE INLET [LOWER BEARING]
- (E) GREASE DISCHARGER [LOWER BEARING]
- (F) 4~M20 VERTICAL JACKING HOLES, 90°APART IN MOTOR BASE.
- (G) M10 TAPPED GROUNDING ON FRAME, WITH ONE GROUNDING STUDS & [R38-10] TERMINAL LOCATED AS SHOWN.

| | | |
|---------------------|-------------------------|--|
| DATE DEC 08 2016 | OUTLINE DIMENSIONS | |
| VSKP8006 | 3-PHASE INDUCTION MOTOR | |
| DWG NO. 4B040L499 | REV:00 | |

| | | |
|-------|---------|-------------|
| DWN. | Y. YANG | JUN.03.2015 |
| CHKD. | R. LEE | JUN.03.2015 |
| APPD. | C. LIU | JUN.03.2015 |

TECO Westinghouse