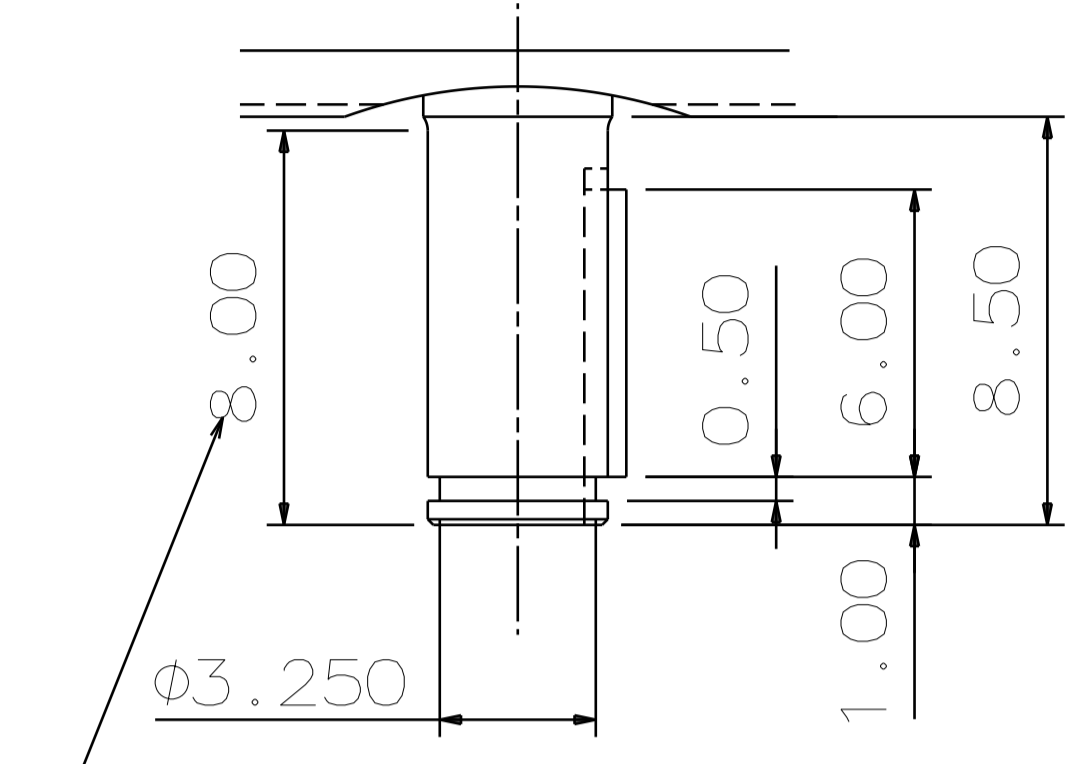


TYPE	OUTPUT		POLE	TIME RATING	VOLTAGE V	Hz	SYN. SPEED R.P.M
	HP.	kW.					
AEHCED	600	447.4	6	CONT	2300/4000	60	1200

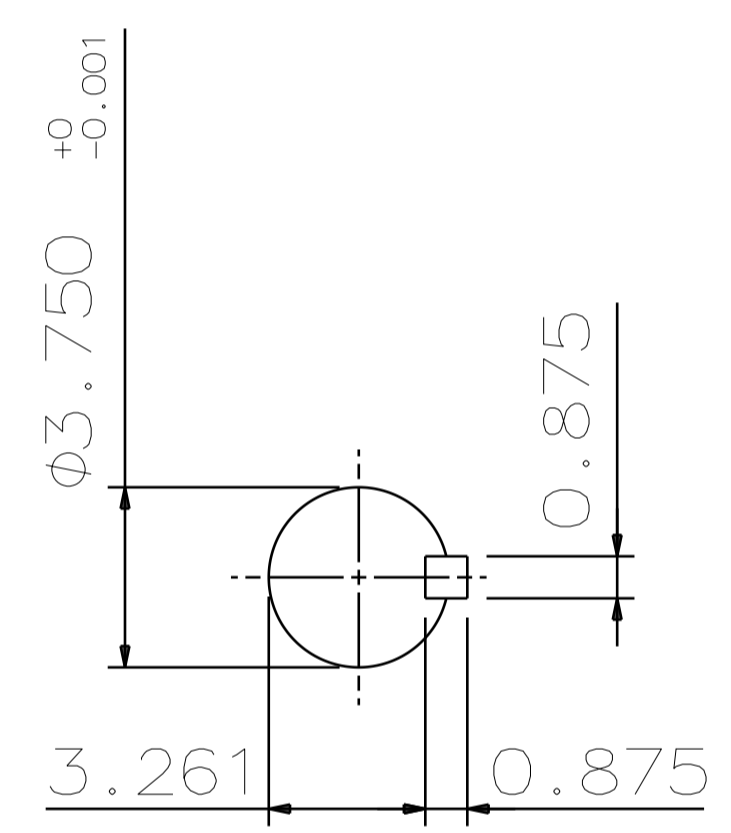
TOTALLY ENCLOSED FAN-COOLED VERTICAL SOLID SHAFT TYPE, SQUIRREL CAGE ROTOR

NOTE:

1. DIMENSIONS IN INCH
2. FRAME NO.5810
3. F CLASS INSULATION, S.F.: 1.15
4. FOR DIRECT COUPLING.
5. BEARING SIZE:  
UPPER BEARING: 29330+6028 [INSULATED]  
LOWER BEARING: 6320C3 [UNINSULATED]
6. UPPER BEARING IS INSULATED. ANY METAL CONNECTIONS TO IT MUST BE INSULATED.
7. LUBRICATION:  
UPPER BEARING USE OIL.  
OIL VISCOSITY: ISO VG68 [300SSU AT 100 °F]  
OIL QUANTITY: 6.3 GAL.  
LOWER BEARING USE GREASE. [MOBIL POLYREX EM]
8. ROTATION: COUNTER-CLOCKWISE [VIEW FROM TOP].
9. WITH NON-REVERSE RATCHET MECHANISM.
10. APPROXIMATE WEIGHT: 7680
11. DOWNTHRUST: 22,300 LBS (L10-8800HRS)
12. REED FREQUENCY: 39 HZ
13. SPACE HEATER RATED AT 120 VOLT, SINGLE PHASE, 218 WATTS, LEADS TERMINATE IN MAIN LEAD BOX.

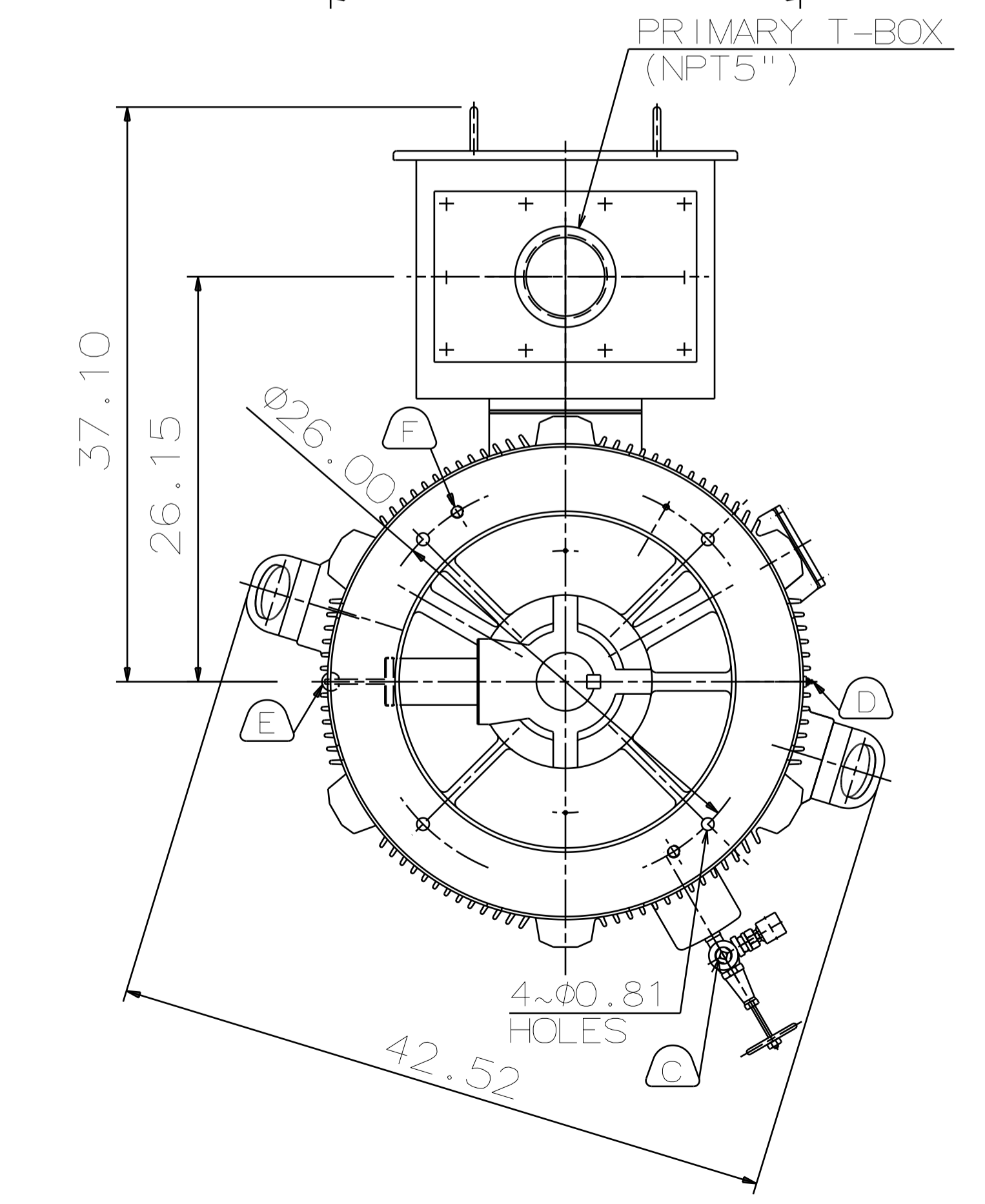
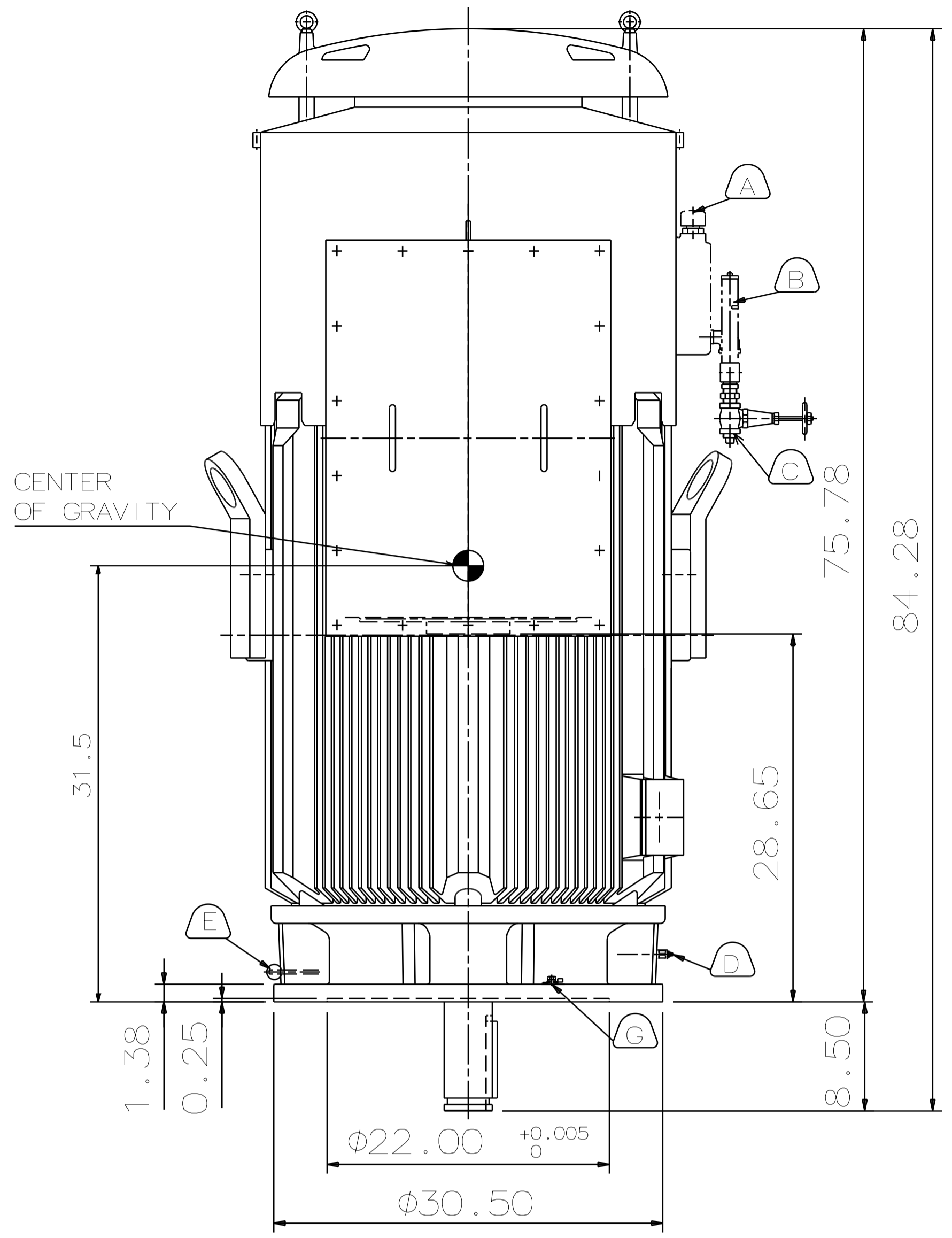


USABLE SHAFT LENGTH



SHAFT END [ENLARGED VIEW]

- (A) OIL FILLER [UPPER BEARING]
- (B) OIL GAUGE [UPPER BEARING]
- (C) OIL DRAIN [UPPER BEARING]
- (D) GREASE INLET [LOWER BEARING]
- (E) GREASE DISCHARGER [LOWER BEARING]
- (F) 2-M20 VERTICAL JACKING HOLES, 180° APART IN MOTOR BASE.
- (G) M10 TAPPED HOLE IN MOTOR BASE WITH GROUNDING TERMINAL [R38-10] & BOLT LOCATED AS SHOWN.



DATE	DEC 08 2016	OUTLINE DIMENSIONS	
VSKTP6006		3-PHASE INDUCTION MOTOR	
DWG NO.	REV:00	4B040L428	

DWN.	Y. YANG	MAY. 23. 2015
CHKD.	R. LEE	MAY. 23. 2015
APPD.	C. L IU	MAY. 23. 2015

