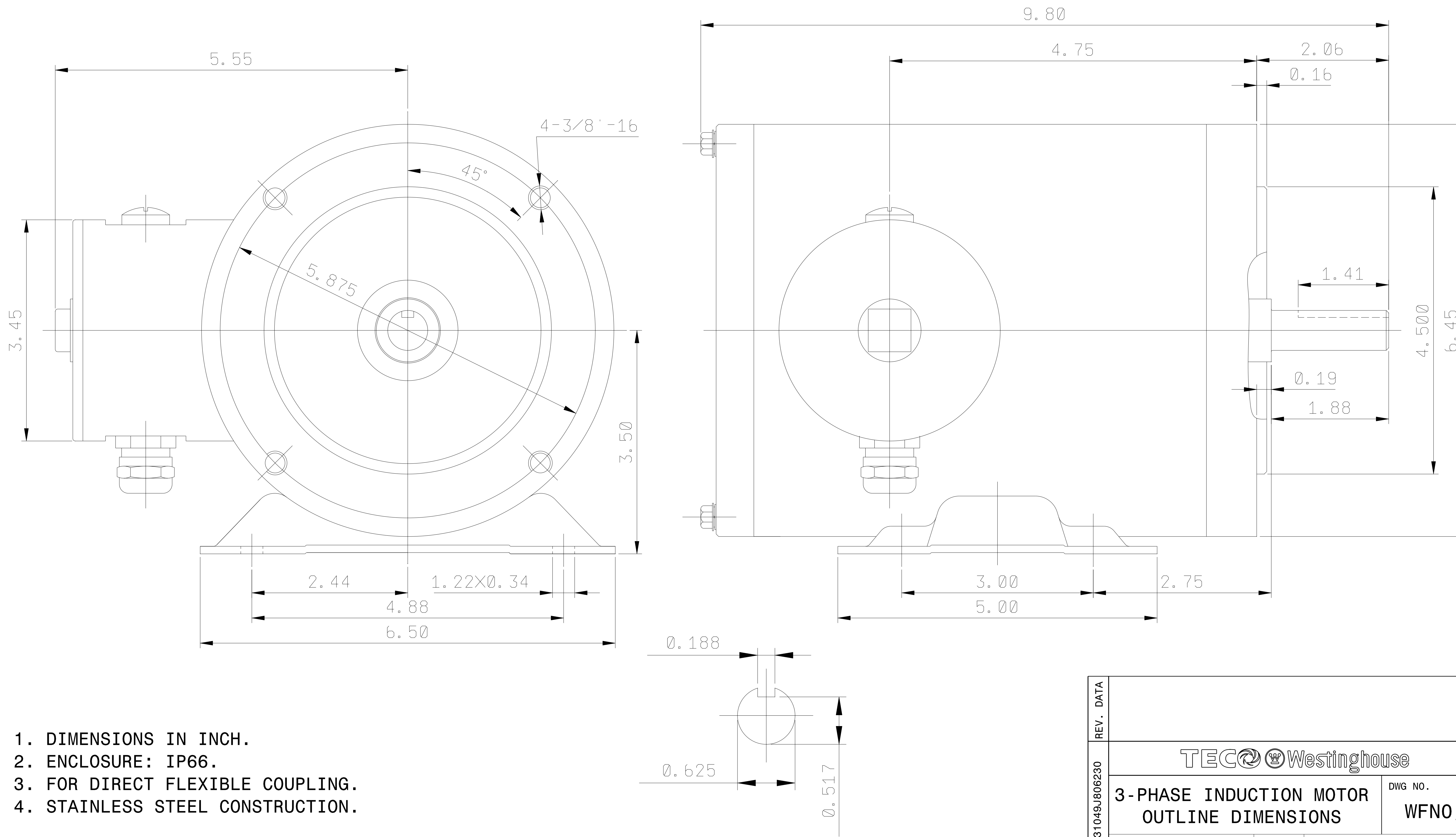


| CATALOG # | TYPE | FRAME | OUTPUT | | POLE | SYN. SPEED R.P.M. | VOLTAGE V. | Hz. | INSULATION CLASS | SERVICE FACTOR | BEARINGS | | WEIGHT LBS |
|-----------|------|-------|--------|------|------|----------------------|---------------|-----|---------------------|-------------------|----------|--------|---------------|
| | | | HP | kW | | | | | | | DE | NDE | |
| WFNO/54C | TENV | A56C | 0.5 | 0.37 | 4 | 1800 | 230/460 | 60 | F | 1.15 | 6205ZZ | 6205ZZ | 37 LBS. |

TOTALLY ENCLOSED NOT VENTILATED TYPE. SQUIRREL CAGE MOTOR



- NOTES: 1. DIMENSIONS IN INCH.
 2. ENCLOSURE: IP66.
 3. FOR DIRECT FLEXIBLE COUPLING.
 4. STAINLESS STEEL CONSTRUCTION.

| | | | |
|---------------------------------|---|-------------------|---------------------|
| REF: 31049J806230 | REV. DATA | | |
| | TECO Westinghouse | | REV NO 01 |
| | 3-PHASE INDUCTION MOTOR OUTLINE DIMENSIONS | | DWG NO. WFNO/54C |
| | DWN C. COOK | 092420 | |
| TECO-WESTINGHOUSE MOTOR COMPANY | | ROUND ROCK, TEXAS | USA |