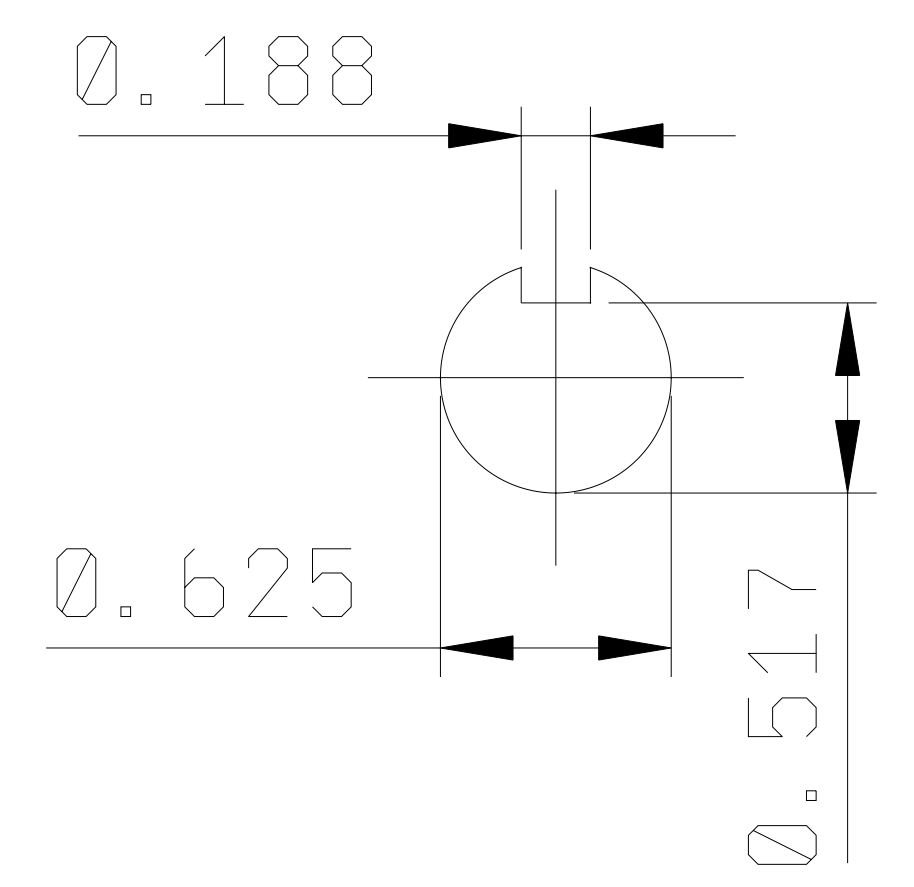
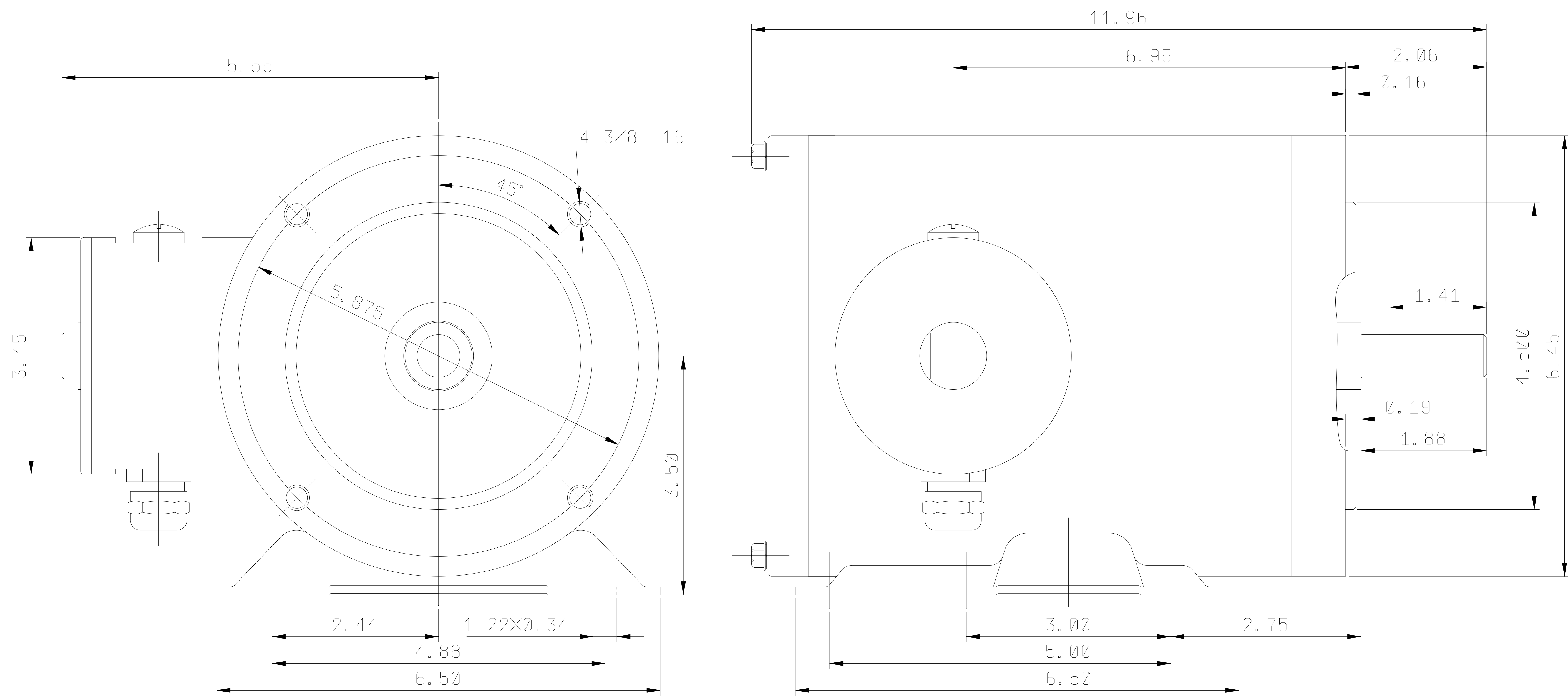


CATALOG #	TYPE	FRAME	OUTPUT		POLE	SYN. SPEED R.P.M.	VOLTAGE V.	Hz.	INSULATION CLASS	SERVICE FACTOR	BEARINGS		WEIGHT LBS
			HP	kW							DE	NDE	
WFN1/52C	TENV	B56C	1.5	1.12	2	3600	230/460	60	F	1.15	6205ZZ	6205ZZ	45 LBS.

TOTALLY ENCLOSED NOT VENTILATED TYPE. SQUIRREL CAGE MOTOR



- NOTES: 1. DIMENSIONS IN INCH.
 2. ENCLOSURE: IP66.
 3. FOR DIRECT FLEXIBLE COUPLING.
 4. STAINLESS STEEL CONSTRUCTION.

REF: 31049J806230	REV. DATA		REV NO
	TECO Westinghouse		01
	3-PHASE INDUCTION MOTOR OUTLINE DIMENSIONS		DWG NO. WFN1/52C
	DWN C. COOK	092420	
TECO-WESTINGHOUSE MOTOR COMPANY			ROUND ROCK, TEXAS USA