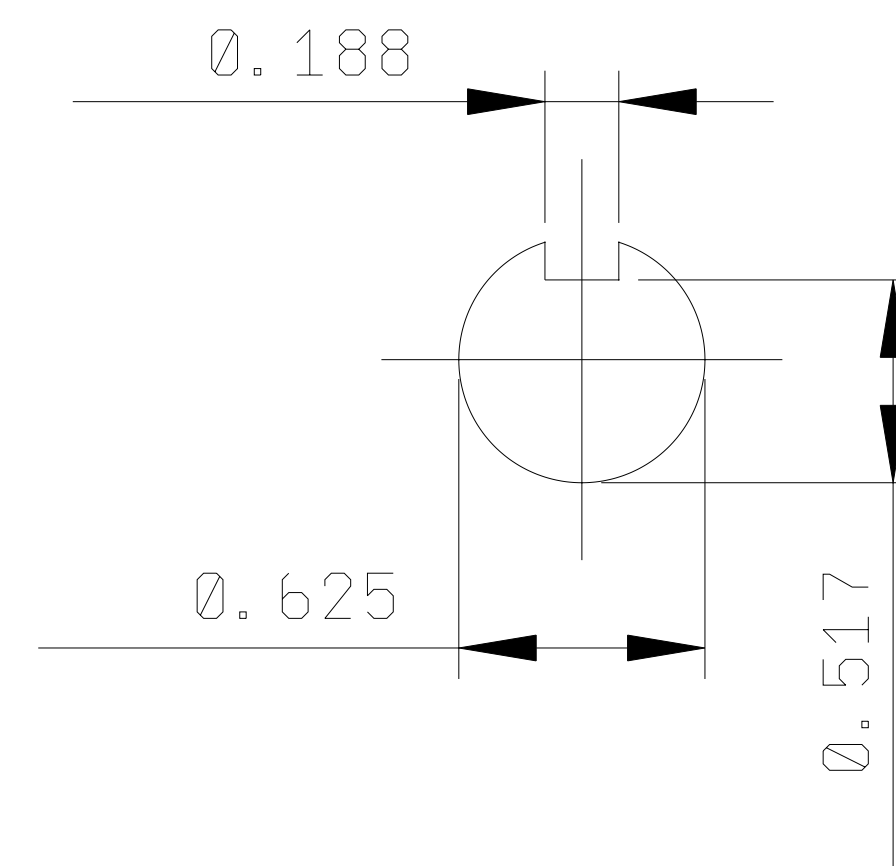
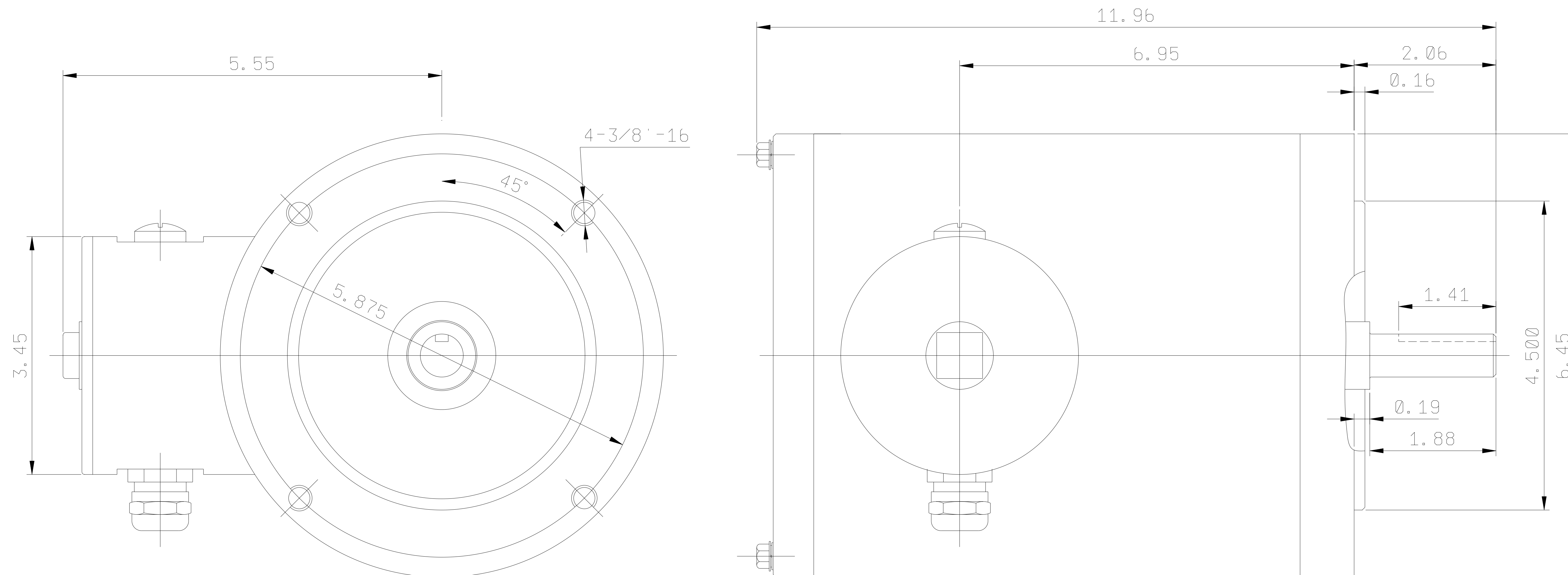


CATALOG #	TYPE	FRAME	OUTPUT		POLE	SYN. SPEED R.P.M.	VOLTAGE V.	Hz.	INSULATION CLASS	SERVICE FACTOR	BEARINGS		WEIGHT LBS
			HP	kW							DE	NDE	
WFNV1/54C	TENV	C56C	1.5	1.12	4	1800	230/460	60	F	1.15	6205ZZ	6205ZZ	55 LBS.

TOTALLY ENCLOSED NOT VENTILATED TYPE. SQUIRREL CAGE MOTOR



- NOTES: 1. DIMENSIONS IN INCH.  
 2. ENCLOSURE: IP66.  
 3. FOR DIRECT FLEXIBLE COUPLING.  
 4. STAINLESS STEEL CONSTRUCTION.

REF: 31049J806230	REV. DATA	
	<b>3-PHASE INDUCTION MOTOR          OUTLINE DIMENSIONS</b>	
	DWG NO. <b>WFNV1/54C</b>	
DWN C. COOK		092420
TECO-WESTINGHOUSE MOTOR COMPANY		ROUND ROCK, TEXAS USA