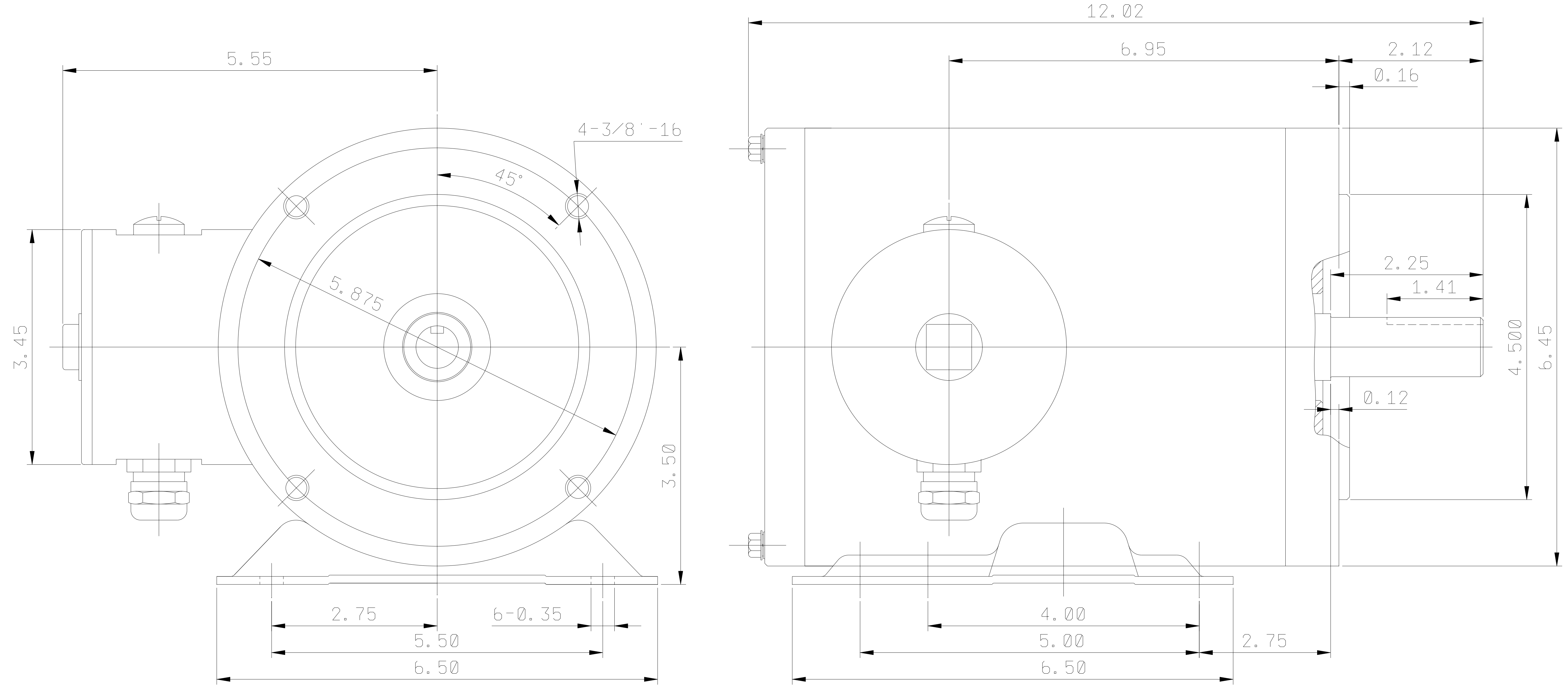
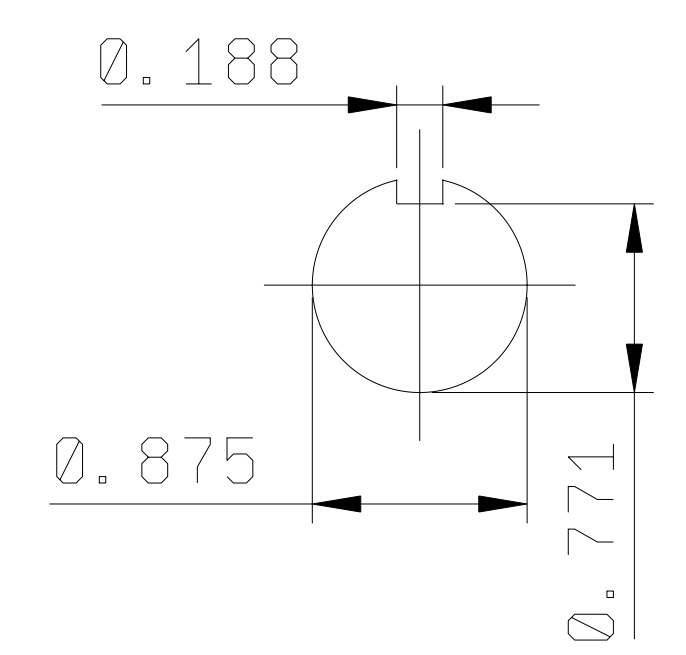


CATALOG #	TYPE	FRAME	OUTPUT		POLE	SYN. SPEED R.P.M.	VOLTAGE V.	Hz.	INSULATION CLASS	SERVICE FACTOR	BEARINGS		WEIGHT LBS
			HP	kW							DE	NDE	
WN1/52C	TENV	143TC	1.5	1.12	2	3600	230/460	60	F	1.15	6205ZZ	6205ZZ	50 LBS.

TOTALLY ENCLOSED NOT VENTILATED TYPE. SQUIRREL CAGE MOTOR



- NOTES: 1. DIMENSIONS IN INCH.  
 2. ENCLOSURE: IP66.  
 3. FOR DIRECT FLEXIBLE COUPLING.  
 4. STAINLESS STEEL CONSTRUCTION.



REF: 31049J806230	REV. DATA		
		TECO Westinghouse	
		REV NO 01	
		3-PHASE INDUCTION MOTOR OUTLINE DIMENSIONS	
	DWG NO.	WN1/52C	
	DWN C. COOK	092420	
	TECO-WESTINGHOUSE MOTOR COMPANY		ROUND ROCK, TEXAS USA