

DATE  
APRIL 16, 2011  
CATALOG NO.  
XPO208

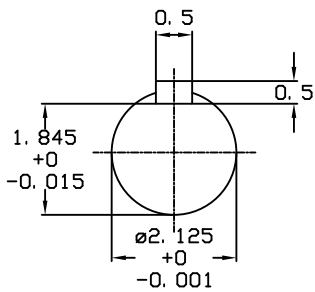
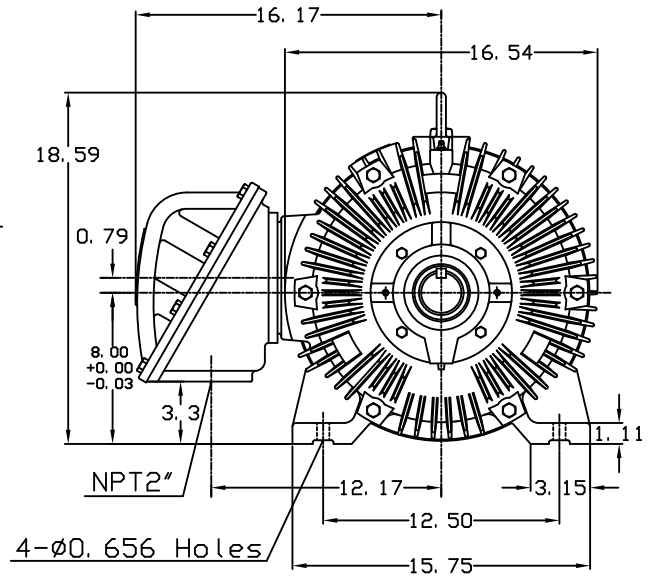
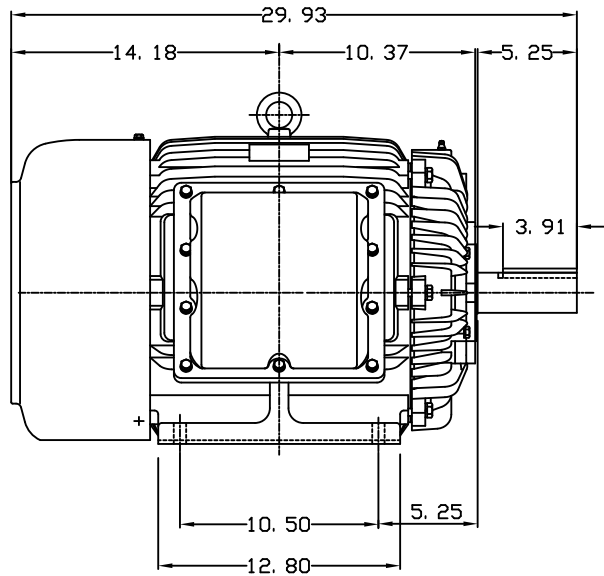
OUTLINE DIMENSIONS  
3-PHASE INDUCTION MOTOR

MOTOR TYPE:  
AEHHXU  
FRAME NO. 324T

Pole	HP	KW	Hz	VOLT	Syn. Speed RPM
8	20	14.9	60	230/460	900

Ins	Rating	Dimension in	Approx Weight	Bearings
F	CONT.	inches	708 lbs.	DE: 6312 NDE: 6212

Totally Enclosed Fan-Cooled Type. Squirrel-Cage Rotor.



NOTE:  
1. EXPLOSION-PROOF:  
CLASS I GROUP C, D AND  
CLASS II GROUP E, F, G.

① 03. 16. 00

J. C. LIN

DWN.	J. H. LIANG	11-30-98
CHKD.	C. H. KAO	12-26-98
APPD.	Y. B. HUANG	12-26-98

TECO Westinghouse

DWG NO.  
31057H208090