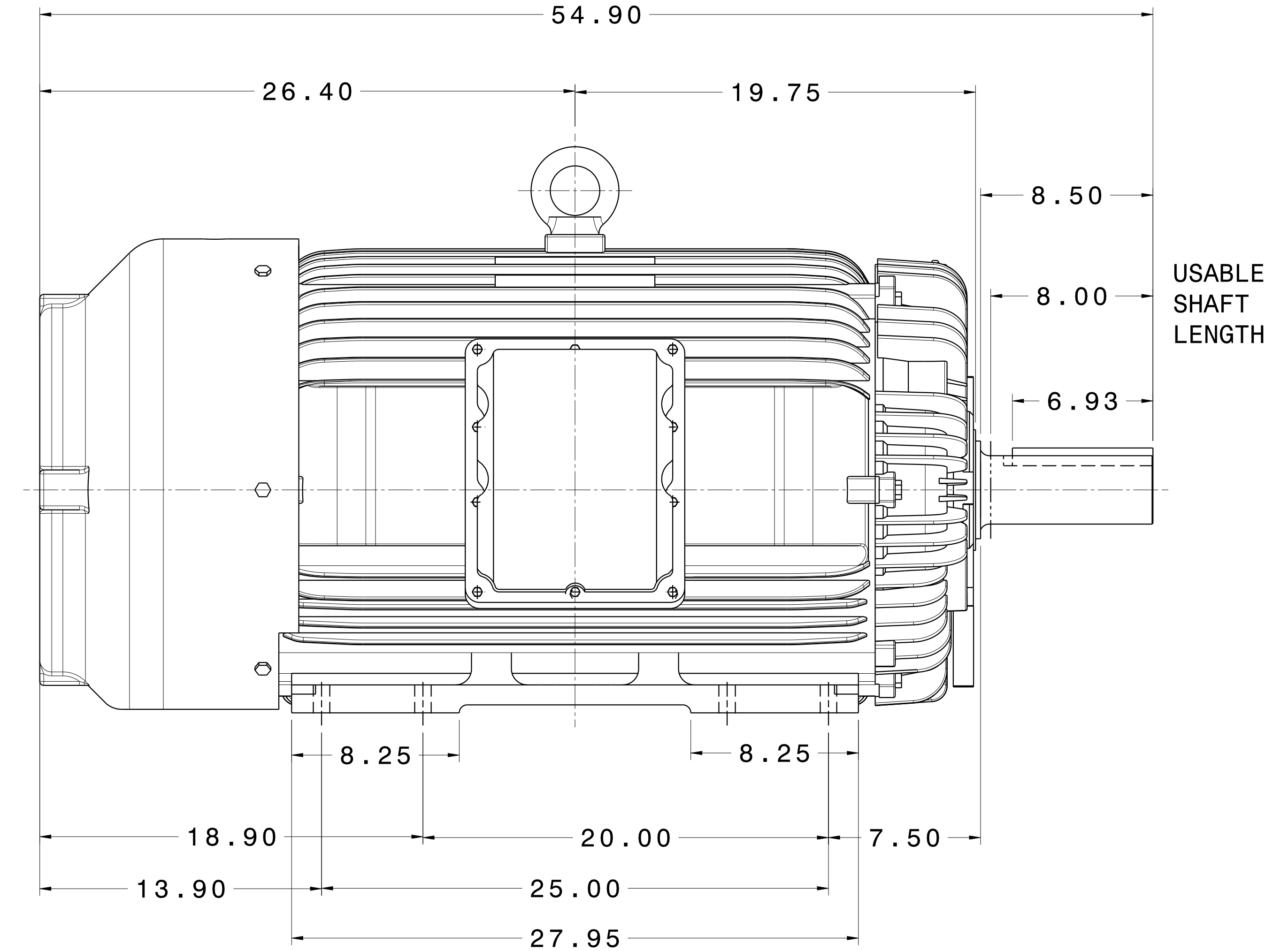
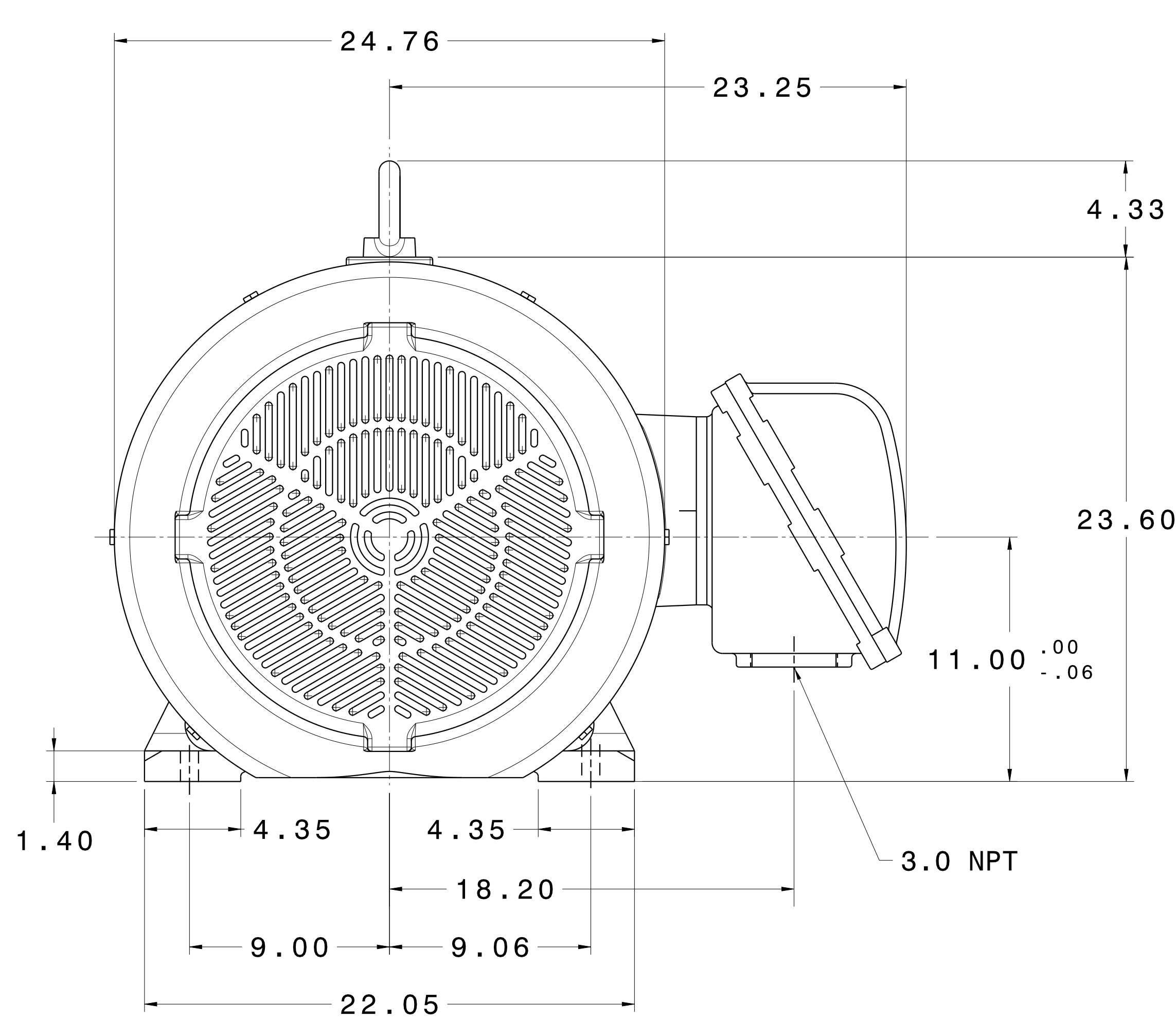
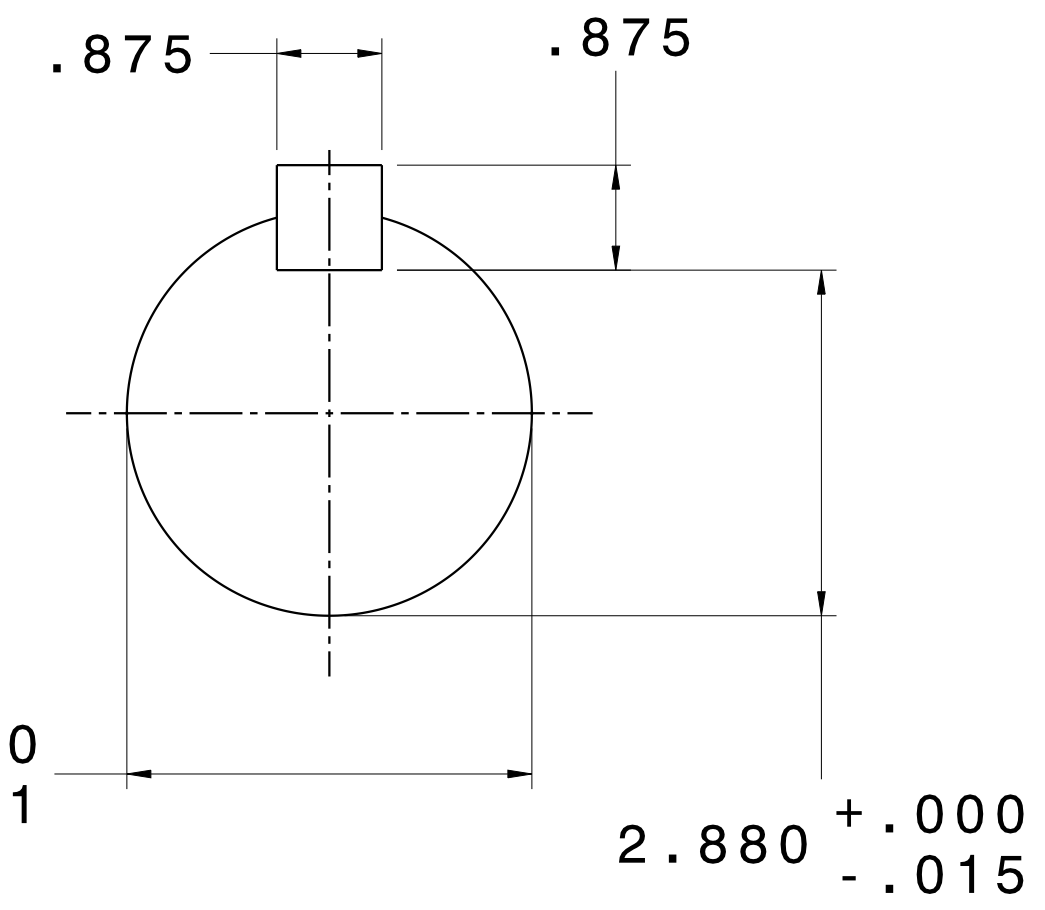


CATALOG #	TYPE	FRAME	OUTPUT		POLE	SYN. SPEED R.P.M.	VOLTAGE V.	Hz.	TIME RATING	INSULATION CLASS	SERVICE FACTOR	BEARINGS		WEIGHT LBS
			HP	KW								DE	NDE	
XP1258R	AEHHXU	447T	125	93.3	8	900	460	60	CONT.	F	1.15	NU320	6316C3	2200

TOTALLY ENCLOSED FAN-COOLED TYPE. SQUIRREL CAGE MOTOR



USABLE SHAFT LENGTH



- NOTES:
1. DIMENSIONS IN INCH.
 2. ENCLOSURE: IP55.
 3. FOR DIRECT FLEXIBLE COUPLING.
 4. SUITABLE FOR DIVISION I, CLASS I, GROUP D AND CLASS II, GROUPS E,F,G.

REV. DATA	TECO Westinghouse			REV NO	01
	3-PHASE INDUCTION MOTOR OUTLINE DIMENSIONS			DWG NO.	XP1258R
REF:	DWN T. FELPS	042616	APPD S. GROHOSKY	042616	
	TECO-WESTINGHOUSE MOTOR COMPANY			ROUND ROCK, TEXAS	USA