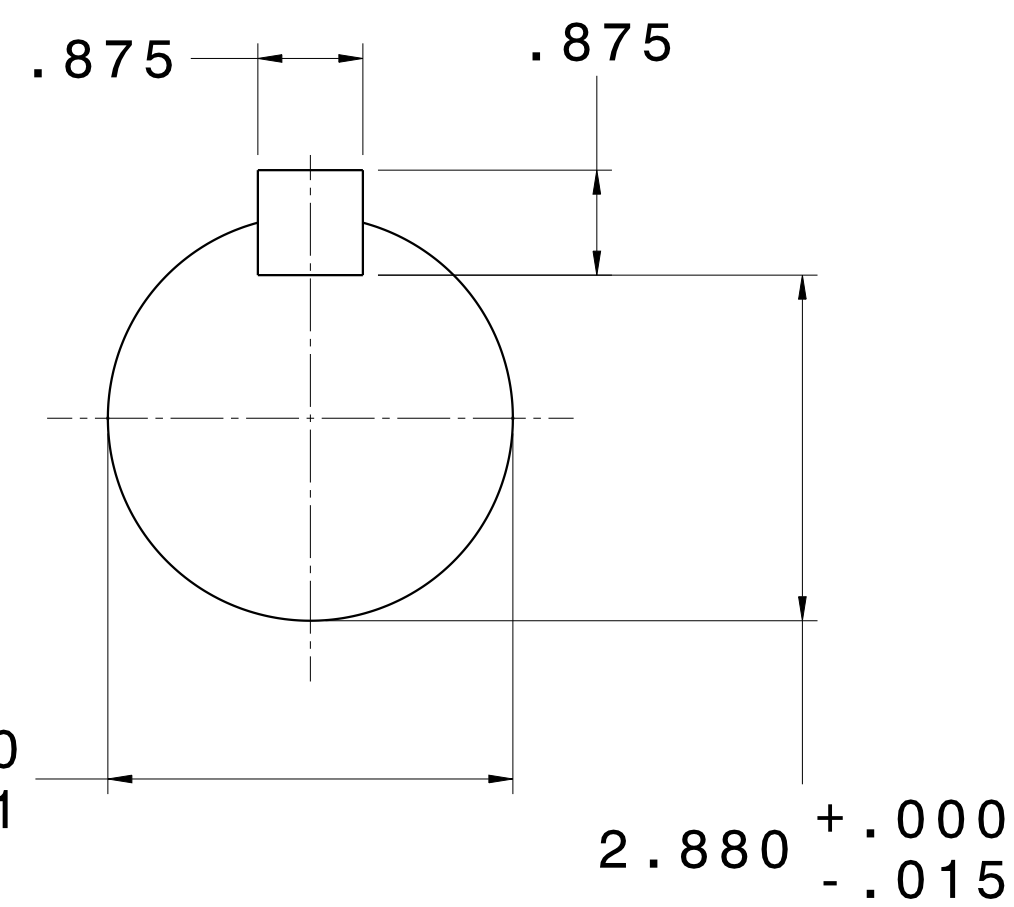
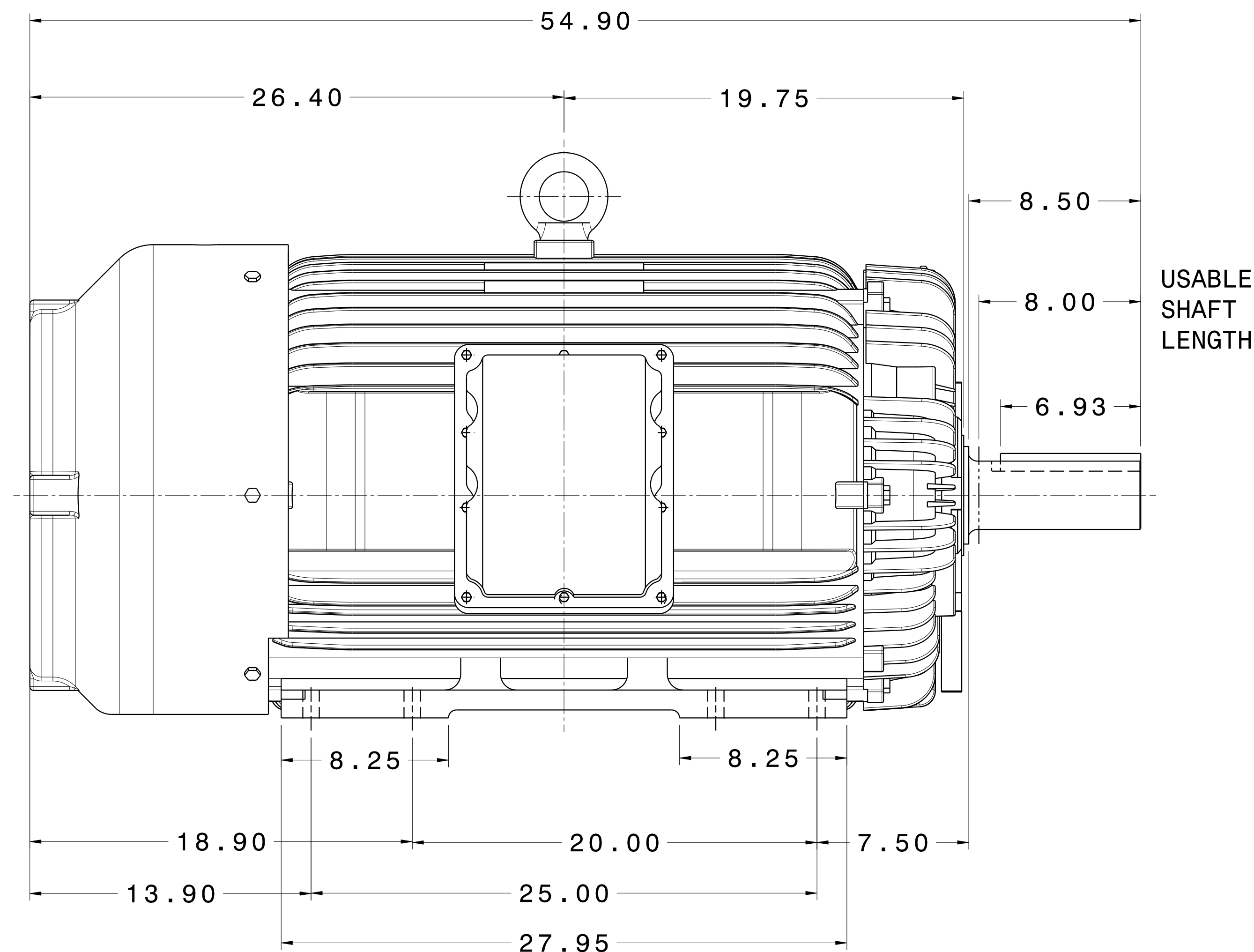
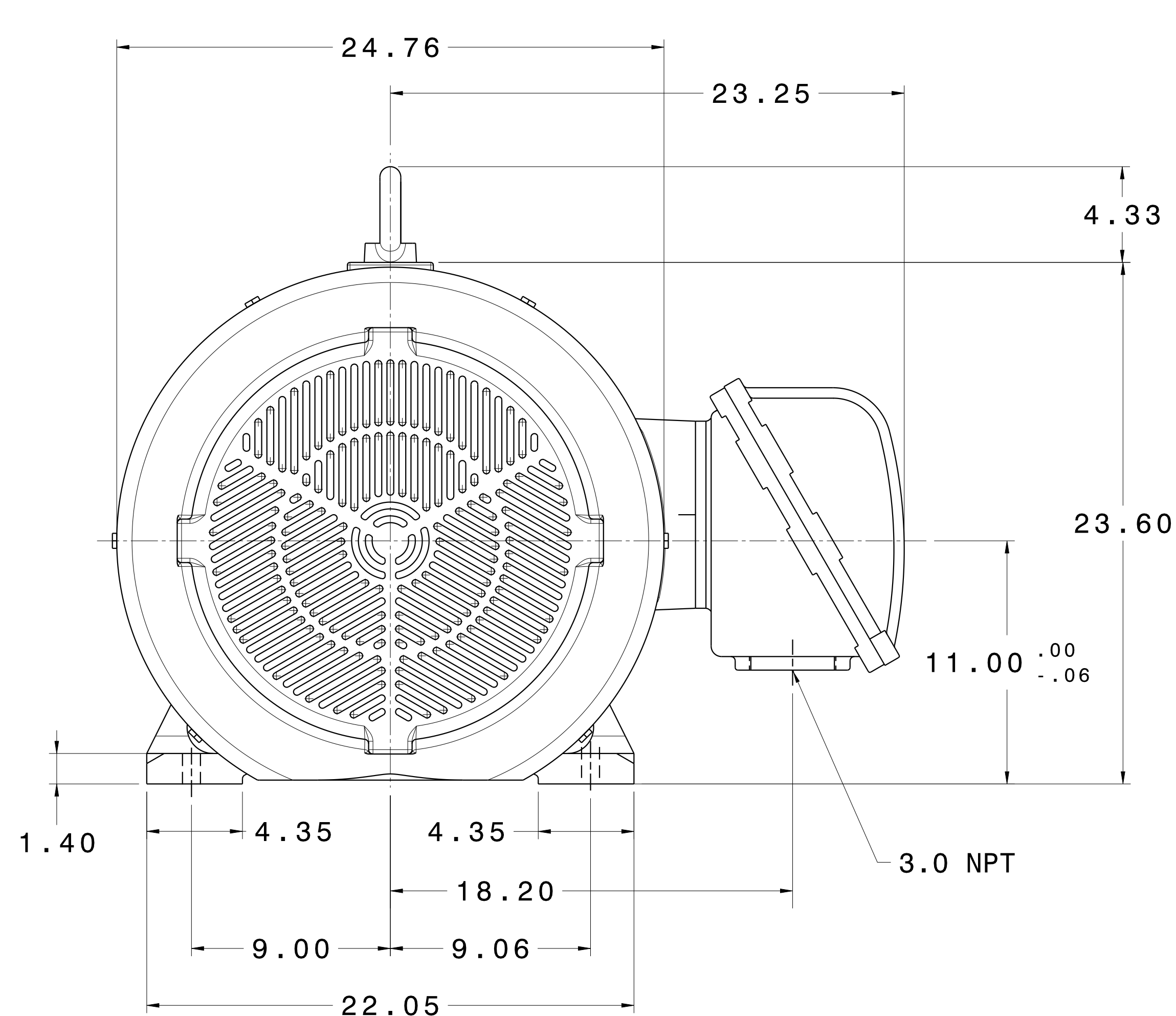


CATALOG #	TYPE	FRAME	OUTPUT		POLE	SYN. SPEED R.P.M.	VOLTAGE V.	Hz.	TIME RATING	INSULATION CLASS	SERVICE FACTOR	BEARINGS		WEIGHT LBS
			HP	KW								DE	NDE	
XP1508R	AEHHXU	449T	150	112	4	900	460	60	CONT.	F	1.15	NU320	6316C3	2880

TOTALLY ENCLOSED FAN-COOLED TYPE. SQUIRREL CAGE MOTOR



NOTES:

1. DIMENSIONS IN INCH.
2. ENCLOSURE: IP55.
3. FOR DIRECT FLEXIBLE COUPLING.
4. SUITABLE FOR DIVISION I, CLASS I, GROUP D AND CLASS II, GROUPS E,F,G.

REV. DATA	TECO Westinghouse		REV NO
	3-PHASE INDUCTION MOTOR OUTLINE DIMENSIONS		01
	DWN C. COOK		DWG NO.
	TECO-WESTINGHOUSE MOTOR COMPANY		XP1508R
REF:	TECO-WESTINGHOUSE MOTOR COMPANY		ROUND ROCK, TEXAS USA